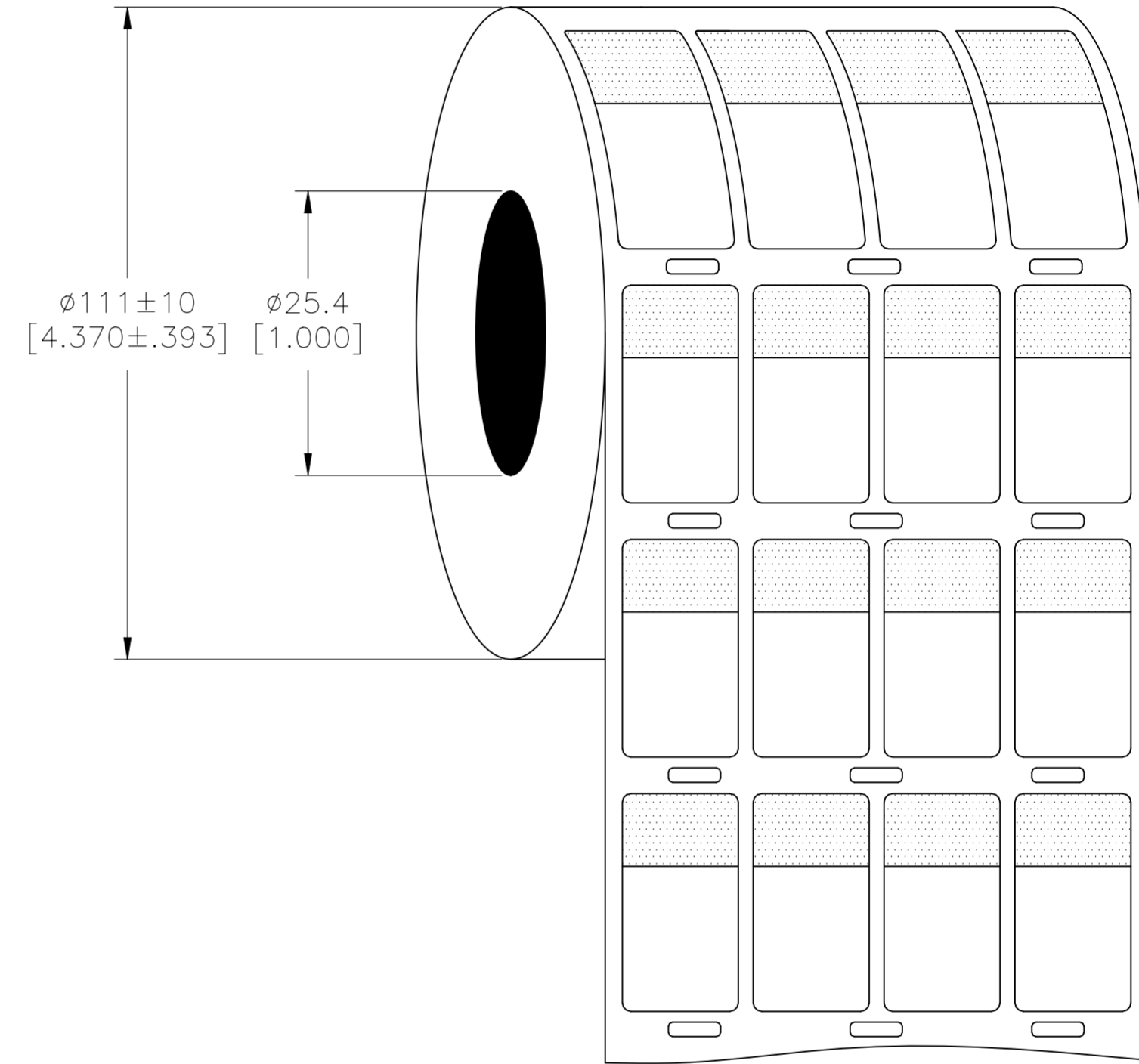
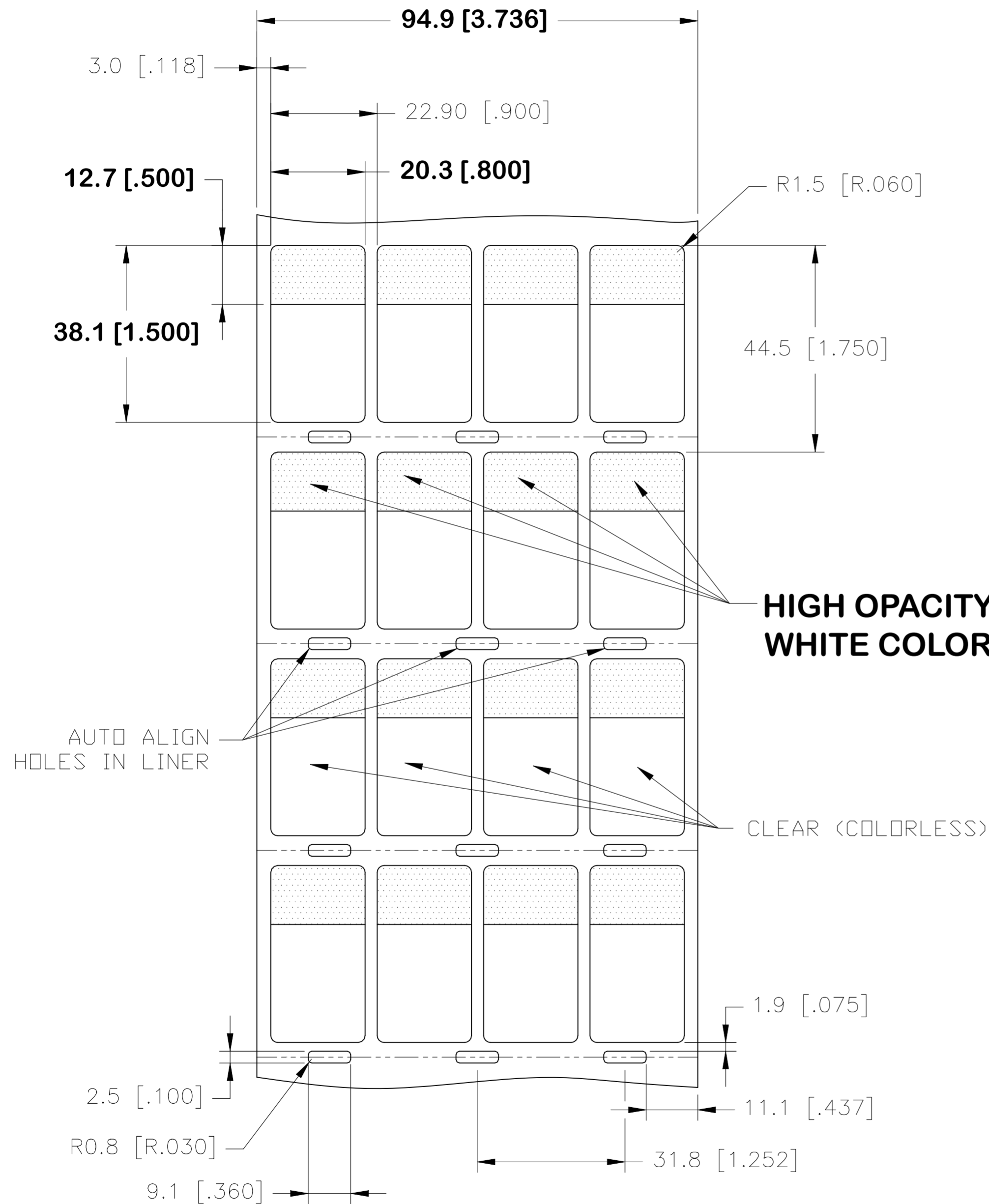


REVISIONS					
P	LTR	DESCRIPTION	DATE	DWN	APVD
F1		UL LABEL CHANGE	04JUL2024	GSK	DB

LABEL AND LINER DESIGN

PRESENTATION



All dimensions in mm [Inch]

TE PN: CN2897-000

UL-MARKING AND LABELLING SYSTEMS	
PGCT2 - Flag Labels, Flag Tags, Wrap-around Labels & Related Products - Component	
PGCT8 - Flag Labels, Flag Tags, Wrap-around Labels & Related Products Certified for Canada - Component	
File: MH65661	Model N°: SBP

TOLERANCES mm [INCH]	
LABEL HEIGHT:	±0.3 [0.012]
LABEL WIDTH:	±0.3 [0.012]
WEB WIDTH:	±0.8 [0.031]
VERTICAL REPEAT:	±0.8 [0.031]*
HORIZONTAL REPEAT:	±0.8 [0.031]*
PRINT POSITIONING:	±0.8 [0.031]*
LEFT MARGIN:	±0.4 [0.016]
QUANTITY:	-0 % +2 %
*NON ACCUMULATING	

DIMENSIONS: mm [INCHES]	
TOLERANCES UNLESS OTHERWISE SPECIFIED:	
0 PLC	±
1 PLC	±
2 PLC	±
3 PLC	±
4 PLC	±
ANGLES	±
FINISH	GLOSSY
MATERIAL	SEE TABLE

MATERIAL		CLEAR VINYL	
ADHESIVE TYPE		ACRYLIC PERMANENT	
LINEAR		WHITE KRAFT	
DWN	15JUL2017	TE Connectivity	
CHK	GOPALAKRISHNA HV	TE Connectivity	
APVD	D.BURGAT	TE Connectivity	
PRODUCT SPEC	TIDS-211	SBP LABEL - WHITE - T200 PRINTER	
APPLICATION SPEC		20.3 x 38.1mm [0.8 x 1.5inch]	
WEIGHT	0.108g	SIZE	A2
CUSTOMER DRAWING		CAGE CODE	00779
		DRAWING NO	C=SBP080150WE5-T200
		RESTRICTED TO	
		SCALE	NTS
		SHEET	1 of 1
		REV	F1