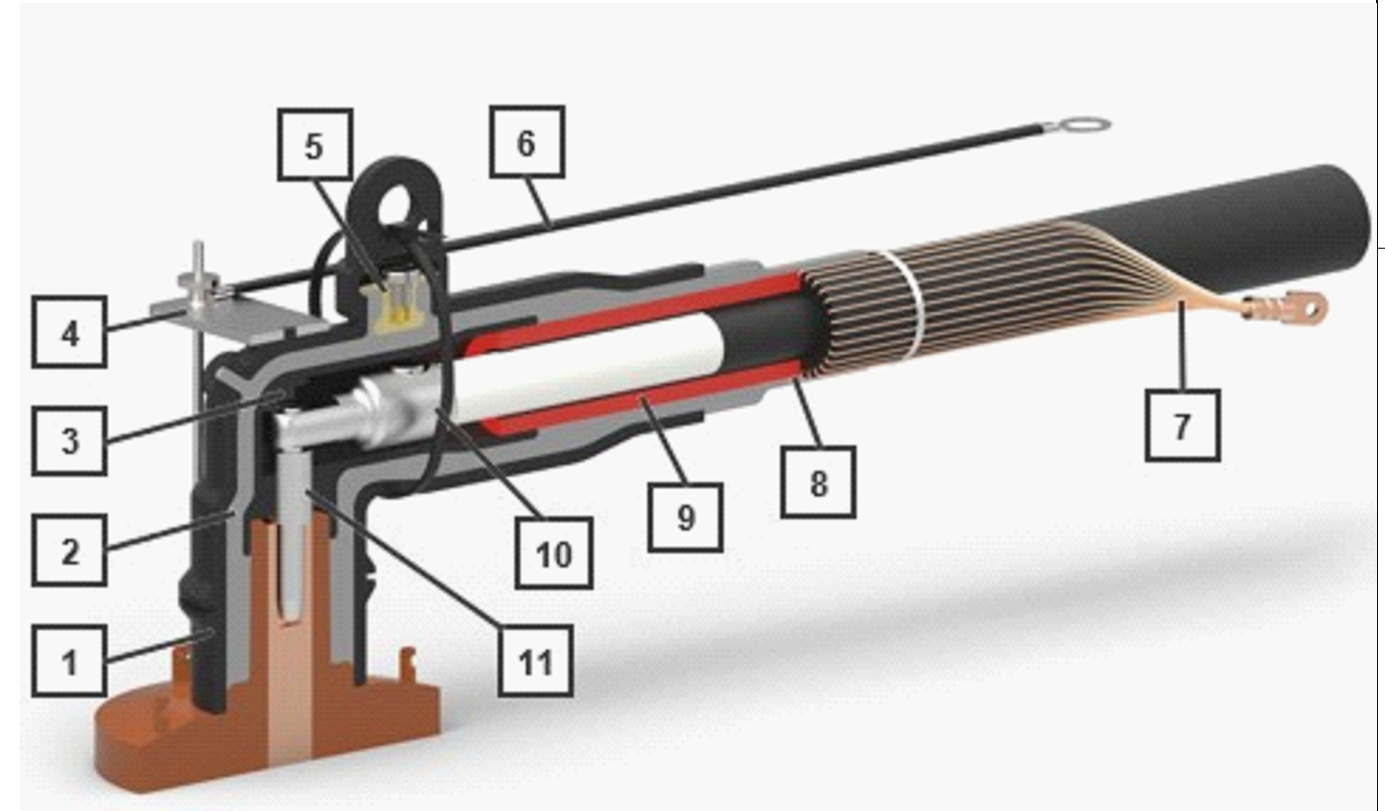
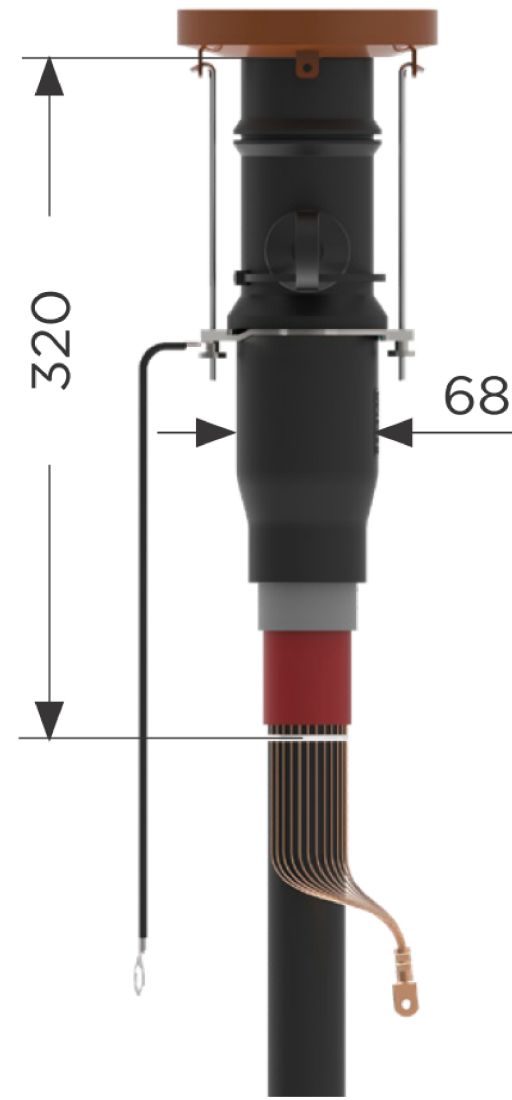
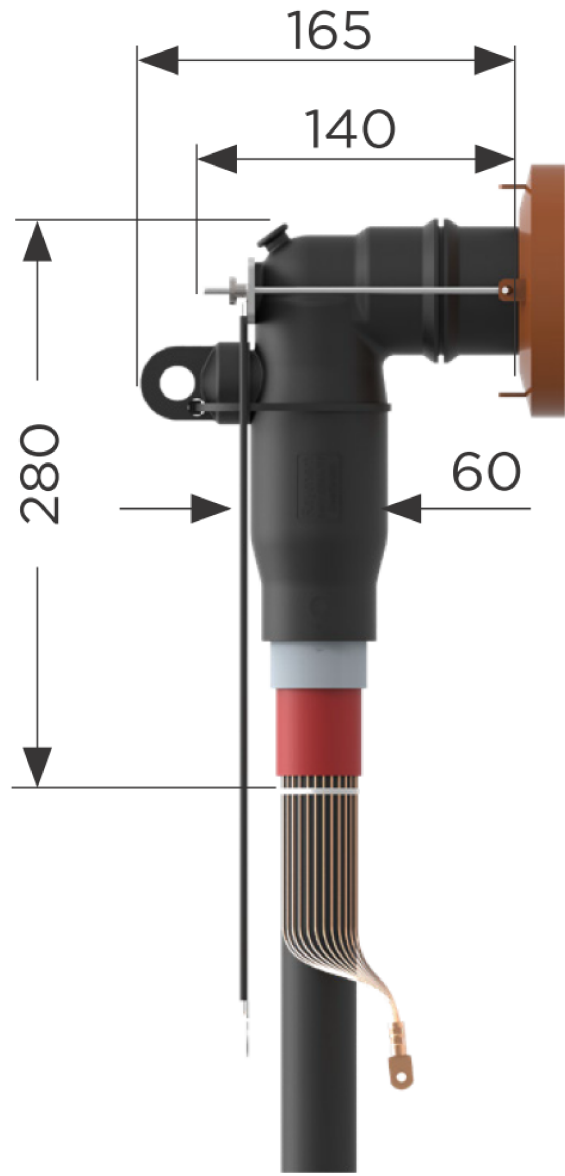


P	LTR	DESCRIPTION	DATE	DWN	APVD
1		NEW DRAWING	18MAR2021	GSK	AM



- 1. Screened connector body (conductive layer)
- 2. Screened connector body (insulating layer)
- 3. Faraday cage
- 4. Bail restraint
- 5. Capacitive Testpoint (optional)
- 6. Earthing connection
- 7. Insulated cable screen (Shield-break design)
- 8. Cold-Applied Sealing System
- 9. Stress cone adapter (refractive stress control)
- 10. Mechanical cable lug with shear-head bolt
- 11. Silver-plated contact pin

"DIMENSIONS ARE APPROXIMATE AND INDICATIVE;
ONLY FOR INFORMATION"

THIS DRAWING IS A CONTROLLED DOCUMENT.		DWN SATHISH KUMAR G 18MAR2021															
DIMENSIONS: mm		CHK ANGEL M. 18MAR2021															
TOLERANCES UNLESS OTHERWISE SPECIFIED:		APVD HAMED REZAEI 18MAR2021	NAME RSSS / RSES 250A														
<table border="1"> <tr> <td>0 PLC</td> <td>± -</td> </tr> <tr> <td>1 PLC</td> <td>± -</td> </tr> <tr> <td>2 PLC</td> <td>± -</td> </tr> <tr> <td>3 PLC</td> <td>± -</td> </tr> <tr> <td>4 PLC</td> <td>± -</td> </tr> <tr> <td>ANGLES</td> <td>± -</td> </tr> </table>		0 PLC	± -	1 PLC	± -	2 PLC	± -	3 PLC	± -	4 PLC	± -	ANGLES	± -	PRODUCT SPEC -	APPLICATION SPEC -		
0 PLC	± -																
1 PLC	± -																
2 PLC	± -																
3 PLC	± -																
4 PLC	± -																
ANGLES	± -																
MATERIAL -		FINISH -	SIZE A3	CAGE CODE 00779	DRAWING NO G-RSES-RSSS-VD-52XX	RESTRICTED TO -											
CUSTOMER DRAWING			SCALE NTS	SHEET 1 OF 1	REV 1												