

REVISIONS

P	LTR	DESCRIPTION	DATE	DWN	APVD
	A	Initial Release ECO-18-014036	9/08/2018	J.B.	T.L.

RAYCHEM RNF-150 Tubing SCD

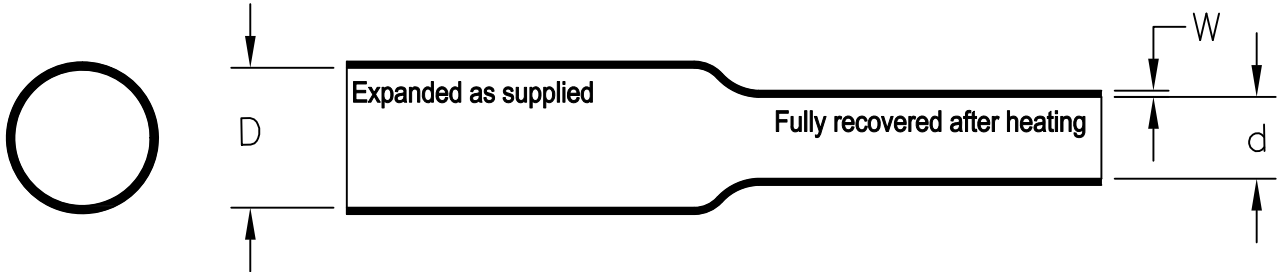



Table 1: Dimensions mm(inches)

Size	As Supplied		Recovered								Weight, As Supplied Maximum	
	Inside Diameter Minimum (D)		Inside Diameter Maximum (d)		Wall Thickness (W)						kg/100 m	lbs./100 ft.
	mm	in.	mm	in.	Minimum		Maximum		Nominal			
				mm	in.	mm	in.	mm	in.			
3/64	1.17	0.046	0.58	0.023	0.20	0.008	0.30	0.012	0.25	0.010	0.15	0.10
1/16	1.60	0.063	0.79	0.031	0.20	0.008	0.30	0.012	0.25	0.010	0.19	0.13
3/32	2.36	0.093	1.17	0.046	0.20	0.008	0.30	0.012	0.25	0.010	0.25	0.17
1/8	3.18	0.125	1.60	0.062	0.20	0.008	0.30	0.012	0.25	0.010	0.33	0.22
3/16	4.75	0.187	2.36	0.093	0.20	0.008	0.30	0.012	0.25	0.010	0.46	0.31
1/4	6.35	0.250	3.18	0.125	0.23	0.009	0.38	0.015	0.30	0.012	0.60	0.40
3/8	9.53	0.375	4.75	0.187	0.23	0.009	0.38	0.015	0.30	0.012	1.09	1.73
1/2	12.70	0.500	6.35	0.250	0.23	0.009	0.38	0.015	0.30	0.012	1.43	0.96
3/4	19.05	0.750	9.53	0.375	0.35	0.014	0.51	0.020	0.43	0.017	2.85	1.92
1	25.40	1.000	12.70	0.500	0.40	0.016	0.56	0.022	0.48	0.019	4.14	2.78

Color: Tubing color is standard black and white is non-standard.

Reference Specification TEC-108-120014

THIS DRAWING IS UNPUBLISHED. ALL RIGHTS RESERVED. © COPYRIGHT - TE Connectivity Ltd.

DIMENSIONS: INCHES	DWN J. Bitter	20JUN2018	MATERIAL	-	FINISH	-					
	CHK T. Licko	-	 TE Connectivity Ltd.								
TOLERANCES UNLESS OTHERWISE SPECIFIED: 0 PLC ± - 1 PLC ± - 2 PLC ± - 3 PLC ± - 4 PLC ± - ANGLES ± -	APVD T. Licko	-					NAME RAYCHEM RNF-150 TUBING SCD				
	PRODUCT SPEC TEC-108-120014	-	SIZE	A4	CAGE CODE	06090					
	APPLICATION SPEC -	-	DRAWING NO	C-RNF-150		RESTRICTED TO	-				
	WEIGHT -	-	CUSTOMER DRAWING				SCALE	1:1	SHEET	1 OF 1	REV