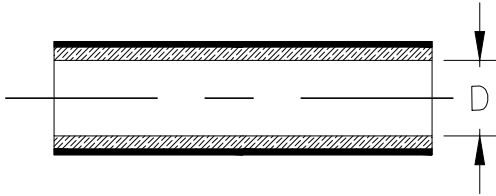


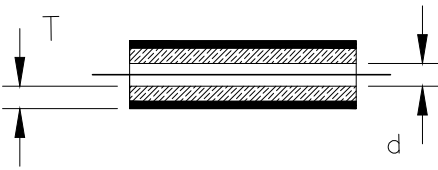
REVISIONS					
P	LTR	DESCRIPTION	DATE	DWN	APVD
	A1	ECR-20-004558	27MAR2020	RK	HD

Component 1 HTAT-12/3-0

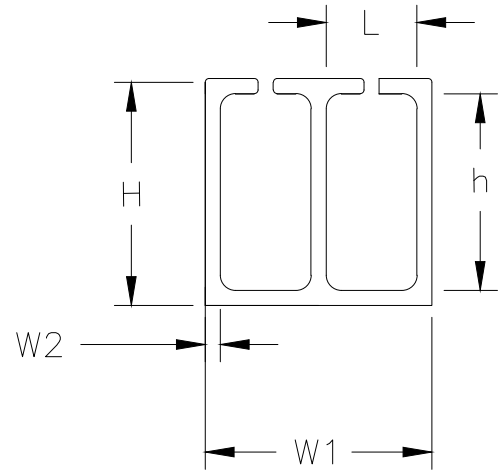
a) Part as supplied



b) Part fully recovered



Component 2 RBK-105-NR5020/A-X



PRODUCT DIMENSIONS & NOTES


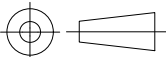
DIMENSIONS (in millimetres)

Component 1: HTAT-12/3-0			Component 2: RBK-105-NR5020/A-X				
D	d	T	H	h	L	W1	W2
MIN	MAX	NOM	±20%	±20%	±20%	±20%	±30%
a	b	b					
12.0	3.0	1.4	8.55	6.50	2.75	8.50	1.0
Supplied cut length 55mm ±3.0mm			Supplied cut length 8mm ±0.8mm				
MATERIAL: JACKET: Flame Retarded Modified Polyolefin (Colour: Black) LINER: Hot Melt Adhesive (Colour: Amber)			MATERIAL: Hot Melt Adhesive (Colour: Amber)				

TE Connectivity. All Rights Reserved.

© 2015

©

DIMENSIONS: mm	DWN	HD	26FEB2015	MATERIAL	-	FINISH	-
	CHK	CD	26FEB2015	 TE Connectivity			
TOLERANCES UNLESS OTHERWISE SPECIFIED:	APVD	CD	26FEB2015				
	0 PLC	± -	PRODUCT SPEC	108-120026	SIZE	A4	CAGE CODE
1 PLC	± -	APPLICATION SPEC	-	DRAWING NO	RBK-105-KIT-0702-A0		
2 PLC	± -	WEIGHT	1.35g	RESTRICTED TO	-		
3 PLC	± -		CUSTOMER DRAWING	SCALE	NTS	SHEET	1 OF 1
4 PLC	± -		REVISION	A1			
ANGLES	± -						