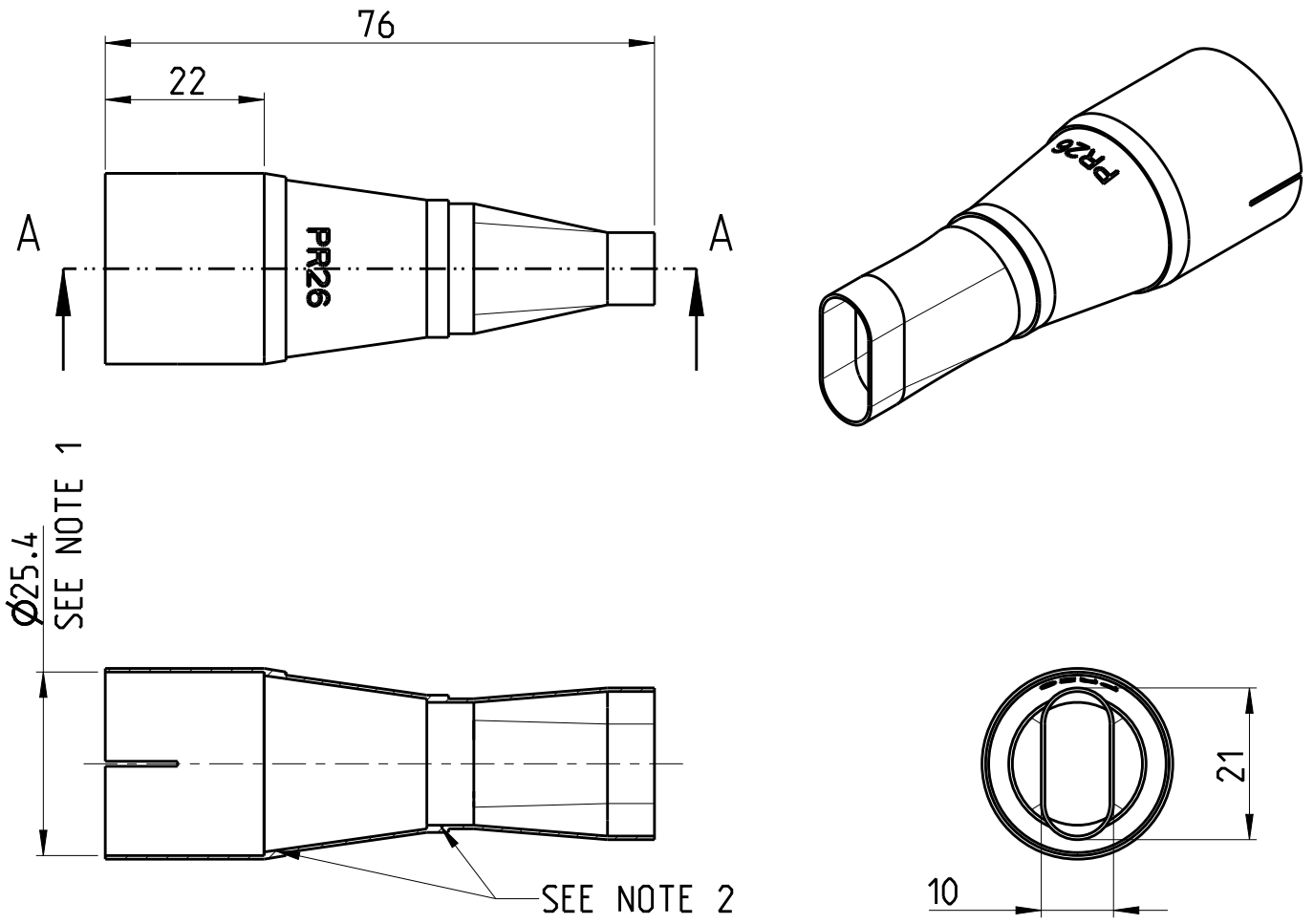


REVISIONS					
P	LTR	DESCRIPTION	DATE	DWN	APVD
	A	INITIAL RELEASE	10DEC2019	MG	UV



SECTION
A-A

- NOTES:
1. FIT OBTAINED FOR 25.4MM GAUGE SIZE.
 2. THREE PART WELDED CONSTRUCTION.
 3. TCPN: 991967-000

© 2019 TE Connectivity. All Rights Reserved.

DIMENSIONS: mm		DWN M.GOWDA 10DEC2019	MATERIAL SS 0.5 THK	FINISH -			
TOLERANCES UNLESS OTHERWISE SPECIFIED:		CHK T.CORREIA 10DEC2019					
0 PLC ±0.5	1 PLC ±0.2	APVD U.VARMA 10DEC2019					
2 PLC ±0.02	3 PLC ±	PRODUCT SPEC	NAME PR-26-REFLECTOR				
4 PLC ±	ANGLES ±0°30'	APPLICATION SPEC	SIZE A 4	CAGE CODE 06090	DRAWING NO C-PR-26-REFLECTOR	RESTRICTED TO -	
		WEIGHT -	CUSTOMER DRAWING		SCALE NTS	SHEET 1 OF 1	REV A