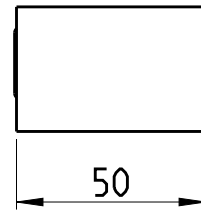
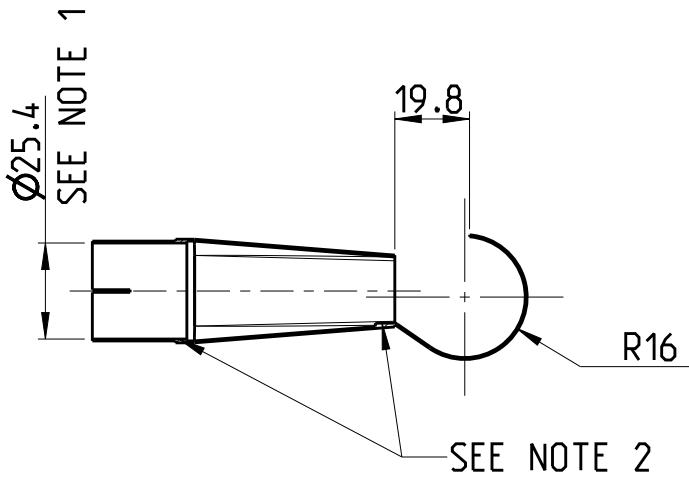
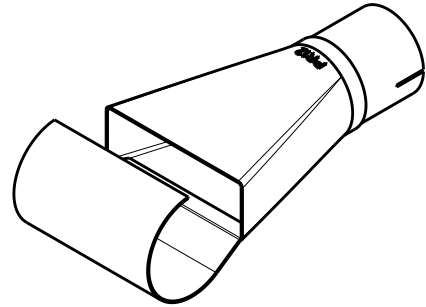
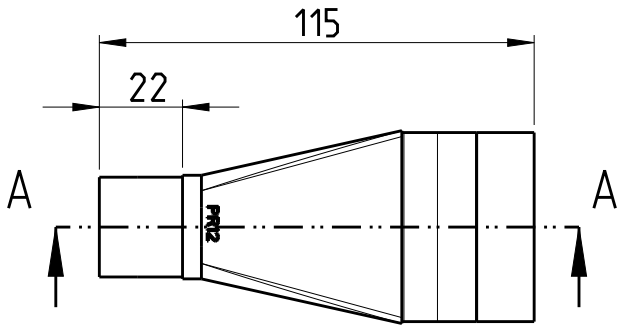


REVISIONS					
P	LTR	DESCRIPTION	DATE	DWN	APVD
	A	INITIAL RELEASE	10DEC2019	MG	UV



SECTION A-A

- NOTES:
 1. FIT OBTAINED FOR 25.4MM GAUGE SIZE.
 2. THREE PART WELDED CONSTRUCTION.
 3. TCPN: 991973-000

© 2019 TE Connectivity. All Rights Reserved.

DIMENSIONS: mm	DWN M.GOWDA	10DEC2019	MATERIAL	SS 0.5 THK	FINISH	-
	CHK T.CORREIA	10DEC2019				
TOLERANCES UNLESS OTHERWISE SPECIFIED:	APVD U.VARMA	10DEC2019				
	0 PLC ±0.5	PRODUCT SPEC	-	SIZE	CAGE CODE	DRAWING NO
1 PLC ±0.2	APPLICATION SPEC	-	A 4	06090	C-PR-12-REFLECTOR	-
2 PLC ±0.02	WEIGHT	-	CUSTOMER DRAWING			
3 PLC ±			SCALE	NTS	SHEET	1 OF 1
4 PLC ±						REV
ANGLES ±0°30'						A