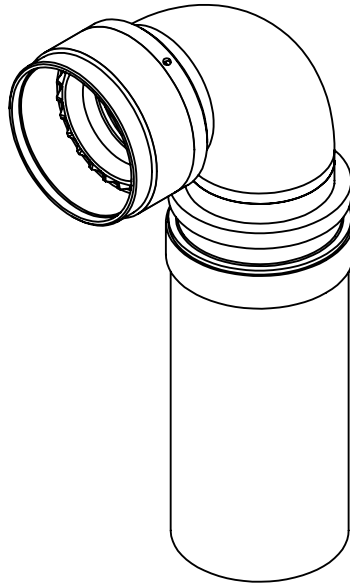


REVISIONS



70A3-14-08-1-C-SE

SERIES _____
 CONNECTOR INTERFACE _____
 ANGLE (3-90°) _____
 SHELL SIZE (TABLE 1) _____
 ENTRY SIZE (TABLE 2) _____
 MATERIAL _____
 FINISH _____
 SWEPT ELBOW STYLE _____

NOTES:



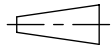
1. THIS PRODUCT IS DESIGNED TO TERMINATE A BRAIDED CABLE SHIELD WITH A HEAT SHRINKABLE LIPPED BOOT TO A CONNECTOR.
2. BACKSHELL TO BE PERMANENTLY MARKED/ BAGGED AND LABELLED WITH PART NUMBER AND BATCH NUMBER. (e.g. 70A3-14-08-1-C-SE P123456)
3. AVAILABLE ENTRY SIZES ARE SHOWN IN TABLE 1.
FOR ALTERNATIVE ENTRY SIZES, PLEASE CONTACT DESIGN AUTHORITY.
4. BACKSHELL MATES TO MIL-DTL-26482 SERIES II / MIL-DTL-83723 SERIES I & III

RELEASED FOR PUBLICATION

ALL RIGHTS RESERVED.

THIS DRAWING IS UNPUBLISHED.

© COPYRIGHT 20 BY

DIMENSIONS: MILLIMETERS	DWN: C.WALLACE	23/06/2021	MATERIAL: SEE SS0076	FINISH: SEE SS0076				
	CHK: R.STYLES	24/06/2021	 TE Connectivity					
TOLERANCES UNLESS OTHERWISE SPECIFIED:	APVD: M.PAUL	23/06/2021			PART NUMBER:	70A3-SE SERIES		
GENERAL TOL LINEAR ±0.25MM ANGULAR ±1°	PRODUCT SPEC:	-	NAME:					
	APPLICATION SPEC:	-	BRAID TAIL BACKSHELL, SWEPT ELBOW 90DEG					
 	WEIGHT:	-	SIZE	CAGE CODE	DRAWING NO	RESTRICTED TO		
	CUSTOMER DRAWING	-	A4	U5792	Ⓒ-P46923			
			SCALE	1:1	SHEET	1 OF 2	REV	AC

REVISIONS

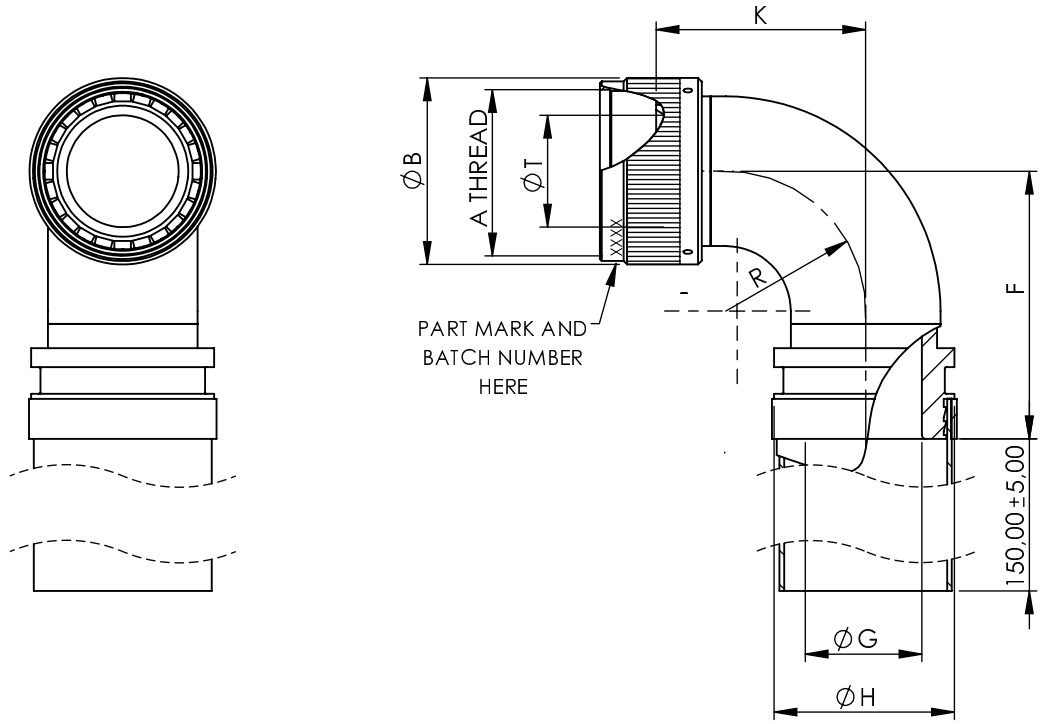


TABLE 1

SHELL SIZE	A THREAD	ØB MAX	K MAX	F MAX	R REF.	ØT MIN	ENTRY SIZES
08	1/2 - 20UNF	15,6	19,2	26,9	9,0	6,5	04
10	5/8 - 24UNEF	18,6	22,4	30,1	12,2	9,2	04, 05
12	3/4 - 20UNEF	21,7	25,6	33,3	15,4	12,7	06, 07
14	7/8 - 20UNEF	24,9	28,7	36,4	18,5	14,6	07, 08
16	1 - 20UNEF	28,2	31,9	39,6	21,7	17,7	08, 10
18	1 1/16 - 18UNEF	30,9	35,1	42,8	24,9	19,7	10, 12
20	1 3/16 - 18UNEF	34,1	38,3	46,0	28,1	22,9	12, 14
22	1 5/16 - 18UNEF	37,3	41,4	49,1	31,2	26,1	14, 16
24	1 7/16 - 18UNEF	40,4	44,6	52,3	34,4	29,0	16, 18

TABLE 2




ENTRY SIZE	ØG MIN	ØH MAX
04	6,35	13,60
05	7,92	13,60
06	9,52	18,40
07	11,12	18,40
08	12,70	18,40
10	15,87	24,70
12	19,05	24,70
14	22,23	31,10
16	25,40	31,10
18	28,60	33,70

RELEASED FOR PUBLICATION

ALL RIGHTS RESERVED.

THIS DRAWING IS UNPUBLISHED.

© COPYRIGHT 20 BY

DIMENSIONS: MILLIMETERS	DWN: C.WALLACE	23/06/2021	MATERIAL: SEE SS0076	FINISH: SEE SS0076
	CHK: R.STYLES	24/06/2021	 TE Connectivity	
TOLERANCES UNLESS OTHERWISE SPECIFIED: GENERAL TOL LINEAR ±0,25MM ANGULAR ±1°	APVD: M.PAUL	23/06/2021		
	PRODUCT SPEC: -		NAME: BRAID TAIL BACKSHELL, SWEEP ELBOW 90DEG	
	APPLICATION SPEC: -		SIZE: A4	CAGE CODE: U5792
	WEIGHT:		DRAWING NO: C=P46923	RESTRICTED TO:
 	CUSTOMER DRAWING		SCALE: 1:1	SHEET: 2 OF 2
				REV: AC