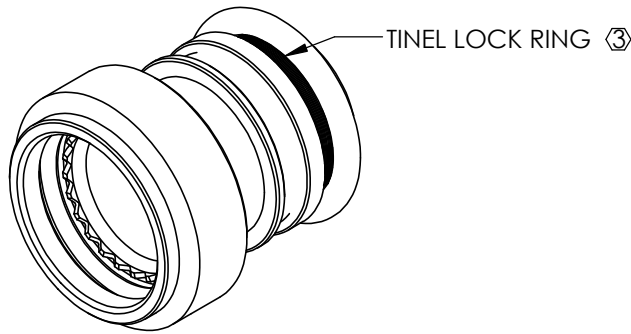


| REVISIONS |                           |            |     |      |
|-----------|---------------------------|------------|-----|------|
| REV       | DESCRIPTION               | DATE       | DWN | APVD |
| AA        | ECR 7558                  | 21/02/2020 | N.H | R.S  |
| AB        | ECR-24-216902 (CRN 26424) | 07/08/2024 | N.H | R.S  |



# CODE 40 - TINEL-LOCK BACKSHELL

## TXR40AB00-0608AI

SERIES \_\_\_\_\_  
 TXR - SUPPLIED WITH RING  
 (SEE RINGS OPTION)  
 TX - RING NOT INCLUDED  
 CONNECTOR INTERFACE \_\_\_\_\_  
 MATERIAL \_\_\_\_\_  
 REFER TO CH00-0250-008  
 FINISH \_\_\_\_\_  
 REFER TO CH00-0250-008  
 ANGLE \_\_\_\_\_  
 DASH NUMBER (TABLE 1) \_\_\_\_\_  
 ENTRY SIZE (TABLE 2) \_\_\_\_\_  
 RING OPTION \_\_\_\_\_  
 AI - TO SUIT SINGLE BRAID  
 BI - TO SUIT DOUBLE BRAID  
 FOR TX, LEAVE BLANK  
 MODIFICATION CODE \_\_\_\_\_  
 REFER TO CH00-0250-008 (2)

**NOTES:**

1. THIS PRODUCT IS DESIGNED TO TERMINATE A BRAIDED CABLE SHIELD AND A HEAT SHRINKABLE LIPPED BOOT TO A CONNECTOR.

(2) FOR ADDITIONAL DIMENSIONS, ORDERING INFORMATION AND MODIFICATIONS, SEE CH00-0250-008.

(3) SEE DRAWING TR FOR DETAIL ON TINEL-LOCK RING, RINGS ARE DESIGNED TO BE HEATED ELECTRICALLY, ALL RINGS ARE MARKED WITH THERMOCHROMIC PAINT WHICH CHANGES COLOUR WHEN INSTALLATION TEMPERATURE IS REACHED.

4. BACKSHELL TO BE PERMANENTLY MARKED/BAGGED AND LABELLED WITH CODE IDENTIFICATION NUMBER AND PART NUMBER LESS RING DESIGNATOR. (e.g. 06090-TXR40AB00-1206). RING SHALL BEAR NO MARKING.

(5) FOR LARGER ENTRY SIZES, A 2 PIECE BACKSHELL ASSEMBLY (TYPE 2) IS SUPPLIED.


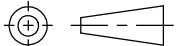
6. BACKSHELL MATES TO MIL-DTL-38999 SERIES III & IV - CLASS C, F, K AND W, D38999/20, /24, /26, /40, /46 AND /47 CONNECTORS AND WHEN MATED SHALL PROVIDE A WATER-TIGHT SEAL MEETING THE REQUIREMENTS OF MIL-C-85049, PARA. 3. 5. 7.

RELEASED FOR PUBLICATION

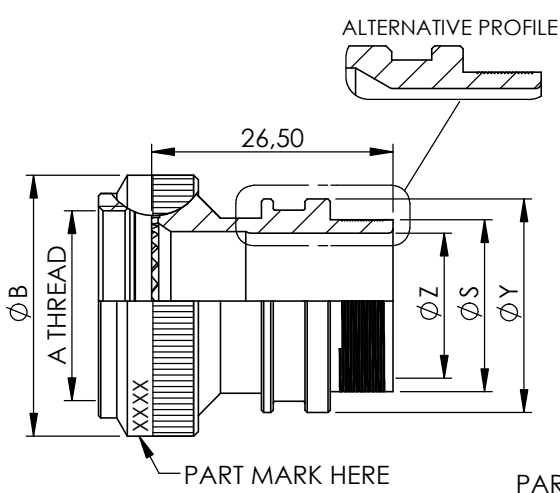
ALL RIGHTS RESERVED.

THIS DRAWING IS UNPUBLISHED.

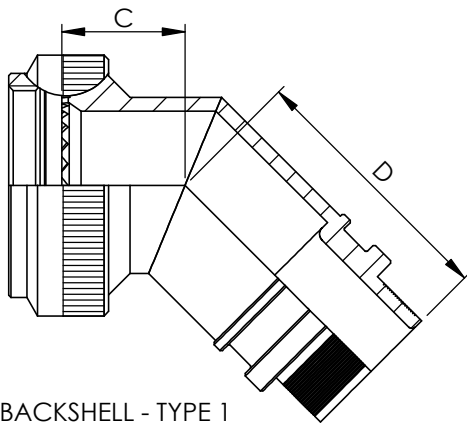
COPYRIGHT 20 BY

|  |   |                            |  |                           |                           |
|--|---|----------------------------|--|---------------------------|---------------------------|
| DIMENSIONS:<br>MILLIMETERS   | DWN: N.HAWKINS                                    | 21/02/2020                 | MATERIAL: SEE P/N BREAKDOWN  | FINISH: SEE P/N BREAKDOWN |                           |
|  | CHK: R.STYLES                                     | 27/02/2020                 |  TE Connectivity |                           |                           |
| TOLERANCES UNLESS OTHERWISE SPECIFIED:<br><br>GENERAL TOL<br>LINEAR ±0.25MM<br>ANGULAR ±1° | APVD: M.PAUL                                      | 27/02/2020                 |  |                           | PART NUMBER: TXR40 SERIES |
|  | PRODUCT SPEC:<br>MIL-DTL-38999<br>SERIES III & IV | NAME: TINEL LOCK BACKSHELL |  |                           |                           |
|         | APPLICATION SPEC:<br>-                            | SIZE                       | CAGE CODE  | DRAWING NO                | RESTRICTED TO             |
|  | WEIGHT:   | A4                         | 06090  | C=P31616                  |                           |
| CUSTOMER DRAWING   |   |                            | SCALE  | SHEET                     | REV                       |
|  |   |                            | 1.5:1  | 1 OF 3                    | AB                        |

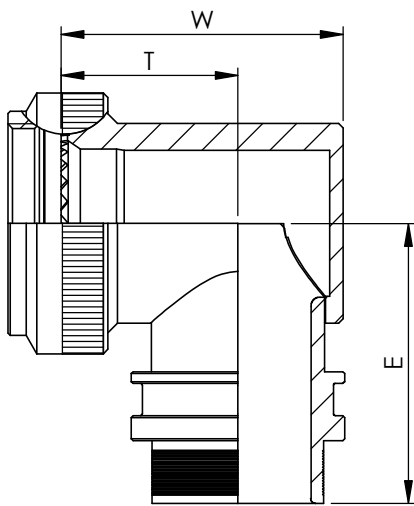
REVISIONS



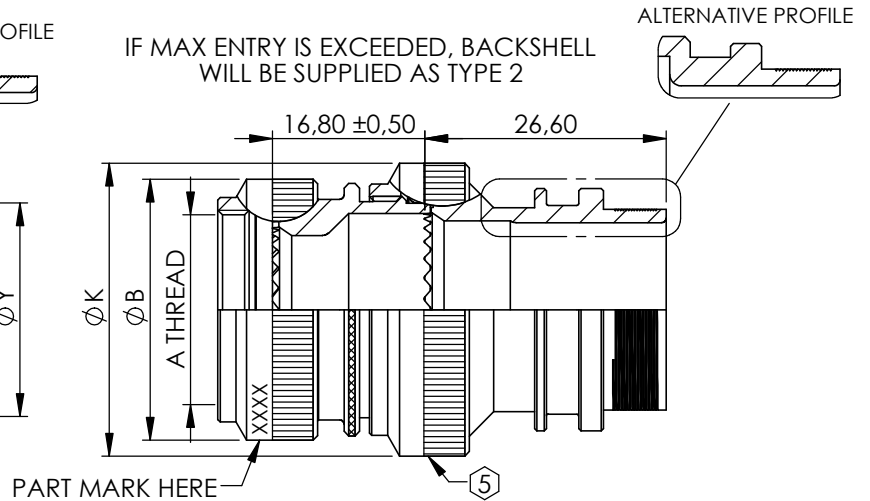
STRAIGHT BACKSHELL - TYPE 1



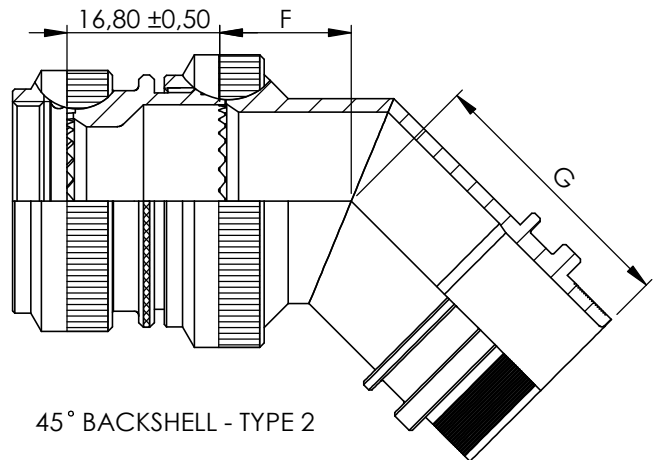
45° BACKSHELL - TYPE 1



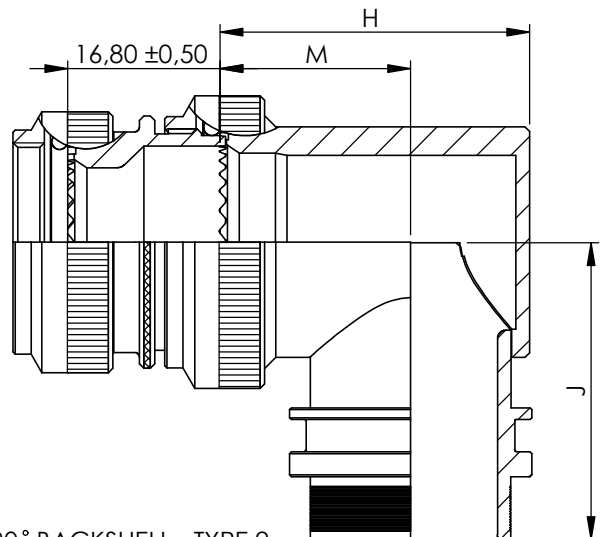
90° BACKSHELL - TYPE 1



STRAIGHT BACKSHELL - TYPE 2



45° BACKSHELL - TYPE 2



90° BACKSHELL - TYPE 2

RELEASED FOR PUBLICATION

ALL RIGHTS RESERVED.

THIS DRAWING IS UNPUBLISHED.

BY COPYRIGHT 20

DIMENSIONS:  
MILLIMETERS

DWN: N.HAWKINS 21/02/2020  
CHK: R.STYLES 27/02/2020  
APVD: M.PAUL 27/02/2020

MATERIAL: SEE P/N BREAKDOWN

FINISH: SEE P/N BREAKDOWN

TOLERANCES UNLESS OTHERWISE SPECIFIED:



GENERAL TOL  
LINEAR  $\pm 0.25\text{MM}$   
ANGULAR  $\pm 1^\circ$

PRODUCT SPEC:  
MIL-DTL-38999  
SERIES III & IV

PART NUMBER:

TXR40 SERIES

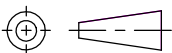
NAME:

TINEL LOCK BACKSHELL

APPLICATION SPEC:  
-  
WEIGHT:

SIZE: A4  
CAGE CODE: 06090  
DRAWING NO: C-P31616

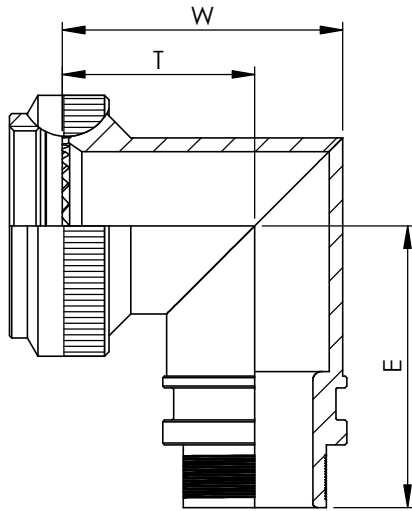
RESTRICTED TO



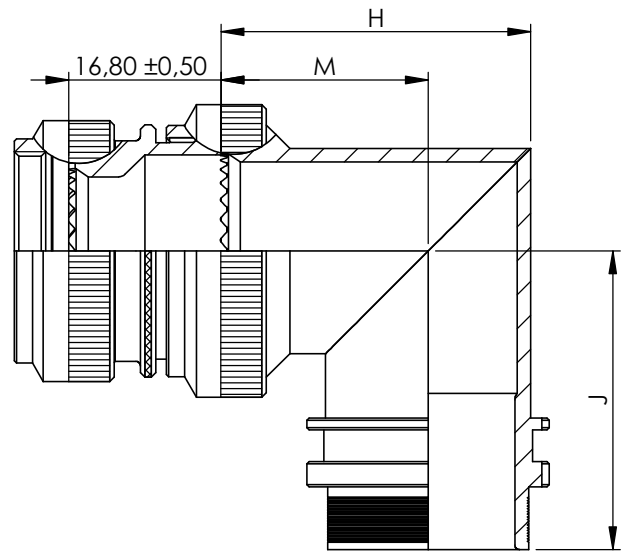
Customer Drawing

SCALE: 1.2:1 SHEET: 2 OF 3 REV: AB

REVISIONS



90° BACKSHELL - TYPE 1  
STAINLESS STEEL AND  
NICKEL ALUMINIUM BRONZE



90° BACKSHELL - TYPE 2  
STAINLESS STEEL AND  
NICKEL ALUMINIUM BRONZE

TABLE 1

| ORDER NO. | SHELL SIZE COM'L / MIL | A THREAD  | ØB MAX | MAX ENTRY | C ±0,5 | D ±0,5 | W ±0,5 | T ±0,5 | E ±0,5 | THESE DIMENSIONS APPLY IF BACKSHELL IS STAINLESS STEEL OR NICKEL ALUMINIUM BRONZE |        |        |
|-----------|------------------------|-----------|--------|-----------|--------|--------|--------|--------|--------|---|--------|--------|
|           |                        |           |        |           |        |        |        |        |        | W ±0,5  | T ±0,5 | E ±0,5 |
| 08        | 09 / A                 | M12 x 1,0 | 18,0   | 04        | 12,0   | 26,8   | 21,0   | 14,0   | 26,20  | 21,2  | 16,3   | 26,4   |
| 10        | 11 / B                 | M15 x 1,0 | 21,0   | 07        | 12,5   | 27,5   | 24,0   | 15,5   | 27,95  | 24,3  | 17,2   | 28,2   |
| 12        | 13 / C                 | M18 x 1,0 | 24,5   | 08        | 13,1   | 28,0   | 27,0   | 17,0   | 29,45  | 28,3  | 19,4   | 29,7   |
| 14        | 15 / D                 | M22 x 1,0 | 29,0   | 10        | 13,5   | 29,0   | 31,0   | 19,5   | 31,00  | 31,1  | 21,0   | 31,2   |
| 16        | 17 / E                 | M25 x 1,0 | 32,5   | 12        | 14,5   | 29,7   | 34,0   | 21,0   | 32,70  | 34,2  | 22,8   | 32,9   |
| 18        | 19 / F                 | M28 x 1,0 | 35,5   | 14        | 15,5   | 30,5   | 35,0   | 20,0   | 34,25  | 38,5  | 25,3   | 34,5   |
| 20        | 21 / G                 | M31 x 1,0 | 37,0   | 16        | 16,1   | 30,9   | 38,0   | 21,5   | 35,80  | 40,7  | 26,1   | 36,1   |
| 22        | 23 / H                 | M34 x 1,0 | 40,0   | 18        | 16,5   | 31,1   | 42,0   | 24,0   | 37,40  | 43,7  | 27,6   | 37,6   |
| 24        | 25 / J                 | M37 x 1,0 | 43,5   | 20        | 17,0   | 32,1   | 45,0   | 25,5   | 38,90  | 46,4  | 29,1   | 39,1   |

TABLE 2

| ENTRY SIZE | ØZ MIN | ØS            | ØY Ø0,3 | ØK MAX | F ±0,5 | G ±0,5 | H ±0,5 | M ±0,5 | J ±0,5 | THESE DIMENSIONS APPLY IF BACKSHELL IS STAINLESS STEEL OR NICKEL ALUMINIUM BRONZE |        |        |
|------------|--------|---------------|---------|--------|--------|--------|--------|--------|--------|---|--------|--------|
|            |        |               |         |        |        |        |        |        |        | H ±0,5  | M ±0,5 | J ±0,5 |
| 04         | 6,35   | 9,49 +/-0,04  | 14,0    | NA     | NA     | NA     | NA     | NA     | NA     | NA  | NA     | NA     |
| 05         | 7,92   | 11,06 +/-0,04 | 15,5    | 21,0   | 12,5   | 27,5   | 24,0   | 15,5   | 27,95  | 24,3  | 17,2   | 28,2   |
| 06         | 9,53   | 12,66 +/-0,04 | 17,1    | 21,0   | 12,5   | 27,5   | 24,0   | 15,5   | 27,95  | 24,3  | 17,2   | 28,2   |
| 07         | 11,10  | 14,21 +/-0,07 | 18,7    | 21,0   | 12,5   | 27,5   | 24,0   | 15,5   | 27,95  | 24,3  | 17,2   | 28,2   |
| 08         | 12,70  | 15,81 +/-0,07 | 20,3    | 24,5   | 13,1   | 28,0   | 27,0   | 17,0   | 29,45  | 28,3  | 19,4   | 29,7   |
| 10         | 15,88  | 18,96 +/-0,08 | 23,5    | 29,0   | 13,5   | 29,0   | 31,0   | 19,5   | 31,00  | 31,1  | 21,0   | 31,2   |
| 12         | 19,05  | 22,14 +/-0,08 | 26,7    | 32,5   | 14,5   | 29,7   | 34,0   | 21,0   | 32,70  | 34,2  | 22,8   | 32,9   |
| 14         | 22,23  | 25,30 +/-0,08 | 29,8    | 35,5   | 15,5   | 30,5   | 35,0   | 20,0   | 34,25  | 38,5  | 25,3   | 34,5   |
| 16         | 25,40  | 28,48 +/-0,08 | 33,0    | 37,0   | 16,1   | 30,9   | 38,0   | 21,5   | 35,80  | 40,7  | 26,1   | 36,1   |
| 18         | 28,58  | 31,65 +/-0,08 | 36,2    | 40,0   | 16,5   | 31,1   | 42,0   | 24,0   | 37,40  | 43,7  | 27,6   | 37,6   |
| 20         | 31,75  | 34,83 +/-0,08 | 39,4    | 43,5   | 17,0   | 32,1   | 45,0   | 25,5   | 38,90  | 46,4  | 29,1   | 39,1   |
| 22         | 34,93  | 37,98 +/-0,08 | 42,5    | 48,5   | 18,5   | 35,3   | 54,5   | 31,0   | 42,00  | 50,0  | 31,0   | 42,0   |
| 24         | 38,10  | 41,15 +/-0,08 | 45,7    | 52,1   | 21,9   | 38,1   | 58,0   | 33,0   | 46,00  | 53,5  | 33,0   | 46,0   |

RELEASED FOR PUBLICATION

ALL RIGHTS RESERVED.

THIS DRAWING IS UNPUBLISHED.

© COPYRIGHT 20 BY

DIMENSIONS:  
MILLIMETERS

DWN: N.HAWKINS 21/02/2020

MATERIAL: SEE P/N BREAKDOWN

FINISH: SEE P/N BREAKDOWN

TOLERANCES UNLESS OTHERWISE SPECIFIED:

CHK: R.STYLES 27/02/2020



APVD: M.PAUL 27/02/2020

PART NUMBER: TXR40 SERIES

GENERAL TOL  
LINEAR ±0,25MM  
ANGULAR ±1°

PRODUCT SPEC:  
MIL-DTL-38999  
SERIES III & IV

NAME: TINEL LOCK BACKSHELL

APPLICATION SPEC:

SIZE: A4 CAGE CODE: 06090 DRAWING NO: C-P31616 RESTRICTED TO

WEIGHT:  
CUSTOMER DRAWING

SCALE: 1:2:1 SHEET: 3 OF 3 REV: AB

