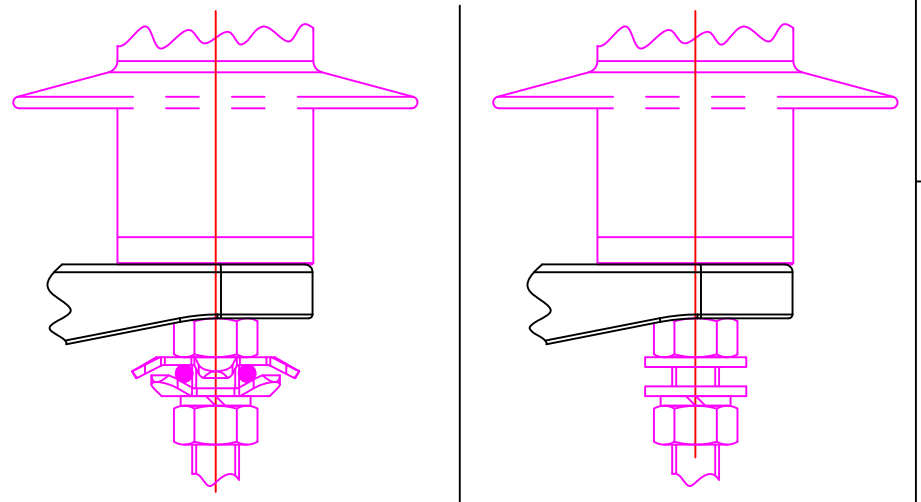
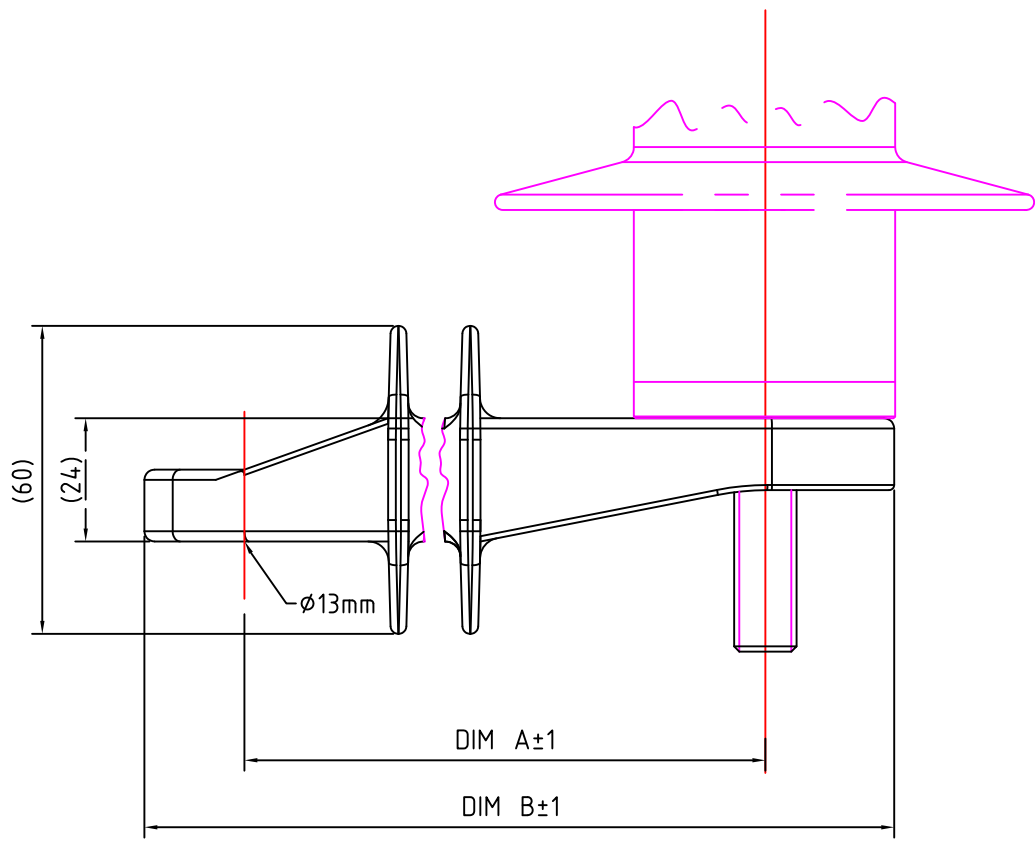
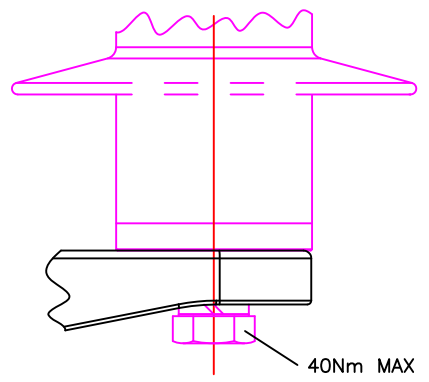


THIS DRAWING IS UNPUBLISHED. RELEASED FOR PUBLICATION  
 ALL RIGHTS RESERVED.  
 © COPYRIGHT - TE CONNECTIVITY IRELAND LTD, ISC, BLOCK 1, UNIVERSITY OF LIMERICK (NTP), CASTLETOY, LIMERICK, IRELAND

LOC	DIST	REVISIONS				
P	LTR	DESCRIPTION	DATE	DWN	APVD	
-	-	A	ORIGINAL ISSUE	06/14	JM	-



EARTH LEAD CONNECTION (M) LUG CONNECTION (F)



M12 CAP SCREW (& SPRING WASHER) CONNECTION (H)

DESCRIPTION	PRODUCT SPEC (TCPN No)	DIM A (mm)	DIM B (mm)	WEIGHT (kg)	RECOMMENDED SURGE ARRESTOR RATINGS		
					OCP(Uc)	HDA(Uc)	DA1(Ur)
BOW-DAC-MTER-INSBKT-6-M12	EA3466-000	157.5	202	0.375	>19kV	>19kV	>24kV
BOW-DAC-MTER-INSBKT-4-M12	CL3553-000	129.5	174	0.307	10-19kV	10-19kV	13-24kV
BOW-DAC-MTER-INSBKT-2-M12	CL3552-000	101.5	146	0.24	0-10kV	0-10kV	0-13kV

THIS DRAWING IS A CONTROLLED DOCUMENT.

DWN	J MULLIGAN	20/06/2014
CHK	R ULBRYCH	-
APVD	P FITZGERALD	-
PRODUCT SPEC	SEE TABLE	-
APPLICATION SPEC	SEE TABLE	-
WEIGHT	SEE TABLE	-
CUSTOMER DRAWING		

**TE** TE Connectivity

MV SURGE ARRESTER  
 MOUNT TERMINATION - BRACKET/DISCONNECT  
 MVSA-TER-M-BXND

SIZE	A3	CAGE CODE	00779	DRAWING NO	G=	RESTRICTED TO	-
SCALE	1:1	SHEET	1	OF 1	REV	A	