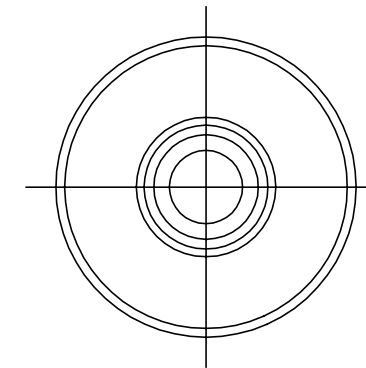
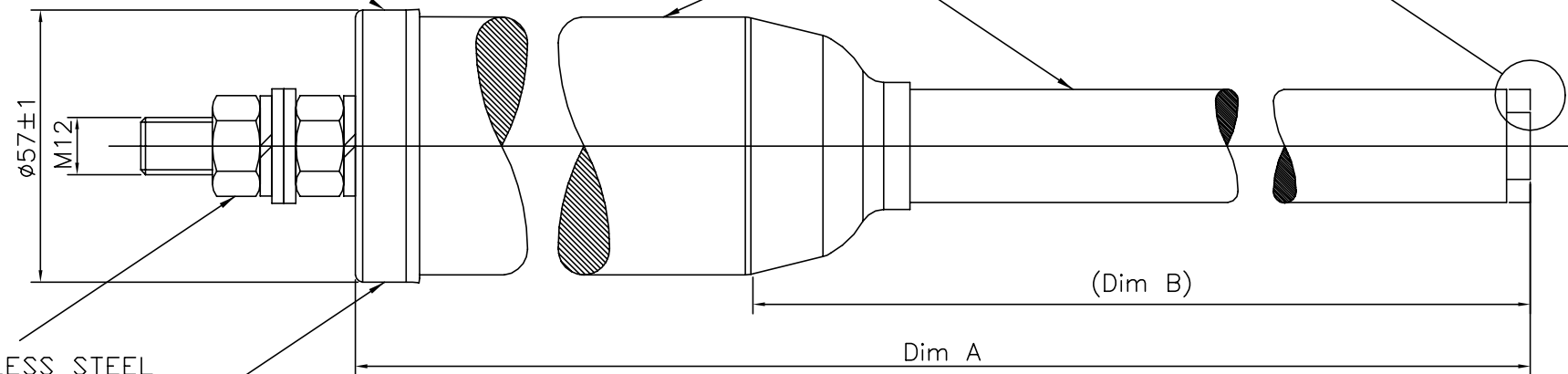


REVISIONS				
P	LTR	DESCRIPTION	DATE	APVD
C		REVISED PER ECO-20-007732	23MAY2020	RS CF

PRODUCT PRINTING
SEE TABLE

INSULATED HOUSING

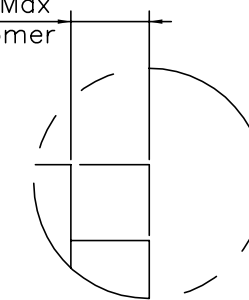
SEE DETAIL A



M12 STAINLESS STEEL
TERMINATION ASSY

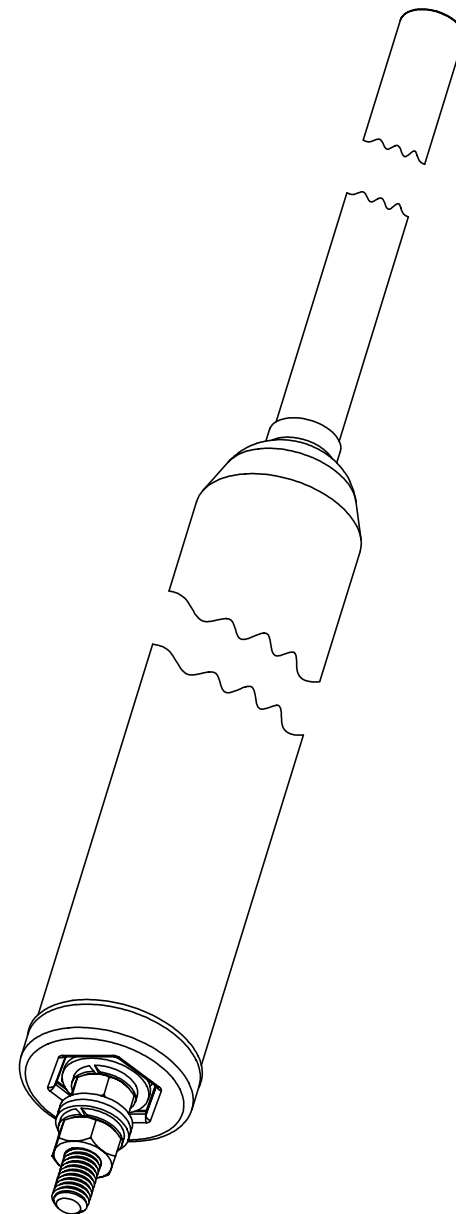
STAINLESS STEEL
END CAP

Allowable Insulation Gap 5 Max
Insulation removed by customer
for application of Lug



DETAIL A
SCALE 3:1

TCPN	DESCRIPTION	DIM A	+/-	DIM B	Uc (kV)	Ur (kV)
331495-000	SPA-06-I-M	396	2.5	262	6	7.5
728363-000	SPA-06-I-N	645	2.5	511	6	7.5
583661-000	SPA-07-I-N	652	2.5	511	7	8.75
EP3754-000	SPA-07-I-O	902	2.5	761	7	8.75
EF4733-000	SPA-08-I-M	410	2.5	262	8	10
216839-000	SPA-09-I-N	674	2.5	511	9	11.25
818187-000	SPA-09-I-O	924	2.5	761	9	11.25
167959-000	SPA-10-I-M	437	2.5	262	10	12.5
191639-000	SPA-10-I-N	686	2.5	511	10	12.5
767439-000	SPA-12-I-M	457	3	262	12	15
720109-000	SPA-12-I-N	706	3	511	12	15
810495-000	SPA-12-I-O	956	3	761	12	15
495199-000	SPA-15-I-N	807	3	511	15	18.75
268123-000	SPA-15-I-O	1057	3	761	15	18.75
550737-000	SPA-18-I-M	588	4	262	18	22.5
275875-000	SPA-18-I-N	837	4	511	18	22.5
857835-000	SPA-18-I-O	1087	4	761	18	22.5
763569-000	SPA-21-I-M	618	4.5	262	21	26.25
487339-000	SPA-21-I-N	867	4.5	511	21	26.25
372403-000	SPA-21-I-O	1117	4.5	761	21	26.25
973479-000	SPA-24-I-M	651	4.5	262	24	30
680455-000	SPA-24-I-N	900	4.5	511	24	30
431819-000	SPA-24-I-O	1150	4.5	761	24	30
975953-000	SPA-30-I-M	777	6	262	30	37.5
CL5681-000	SPA-30-I-N	1026	6	511	30	37.5
172741-000	SPA-33-I-N	1062	6	511	33	41.25
699465-000	SPA-36-I-M	843	6	262	36	45
519721-000	SPA-36-I-N	1092	6	511	36	45
003557-000	SPA-36-I-O	1342	6	761	36	45
721019-000	SPA-40-I-O	1352	6	761	40	50



PRODUCT PRINTING

*Raychem PolyGarde 10kA Is-c: - Class 1 IEC 99-4
SPA-xx Uc xxkV Ur xxkV YEAR Lot #*

REFER TO TECHNICAL DATASHEETS FOR ALL OTHER PRODUCT DETAILS

THIS DRAWING IS A CONTROLLED DOCUMENT.		DWN J MULLIGAN 19/08/2014	TE Connectivity													
DIMENSIONS: mm		CHK R ULBRYCH 19/08/2014														
TOLERANCES UNLESS OTHERWISE SPECIFIED:		APVD P FITZGERALD 19/08/2014	NAME MV SURGE ARRESTER SPA-xx-I-X RANGE SPA-xx-I-X													
<table border="1"> <tr><td>0 PLC</td><td>± 1</td></tr> <tr><td>1 PLC</td><td>± 0.1</td></tr> <tr><td>2 PLC</td><td>± 0.01</td></tr> <tr><td>3 PLC</td><td>± 0.001</td></tr> <tr><td>4 PLC</td><td>± 0.0001</td></tr> <tr><td>ANGLES</td><td>± 1</td></tr> </table>		0 PLC	± 1	1 PLC	± 0.1	2 PLC	± 0.01	3 PLC	± 0.001	4 PLC	± 0.0001	ANGLES	± 1	PRODUCT SPEC SEE TABLE	SIZE A2	RESTRICTED TO -
0 PLC	± 1															
1 PLC	± 0.1															
2 PLC	± 0.01															
3 PLC	± 0.001															
4 PLC	± 0.0001															
ANGLES	± 1															
MATERIAL ALL FITTINGS M12, A2 SS		APPLICATION SPEC -	CAGE CODE -	DRAWING NO C=MV-SPA-00917-C												
		WEIGHT -	SCALE 1:1	SHEET 1 of 1												
		CUSTOMER DRAWING	REV C													

MV-SPA-00917-C