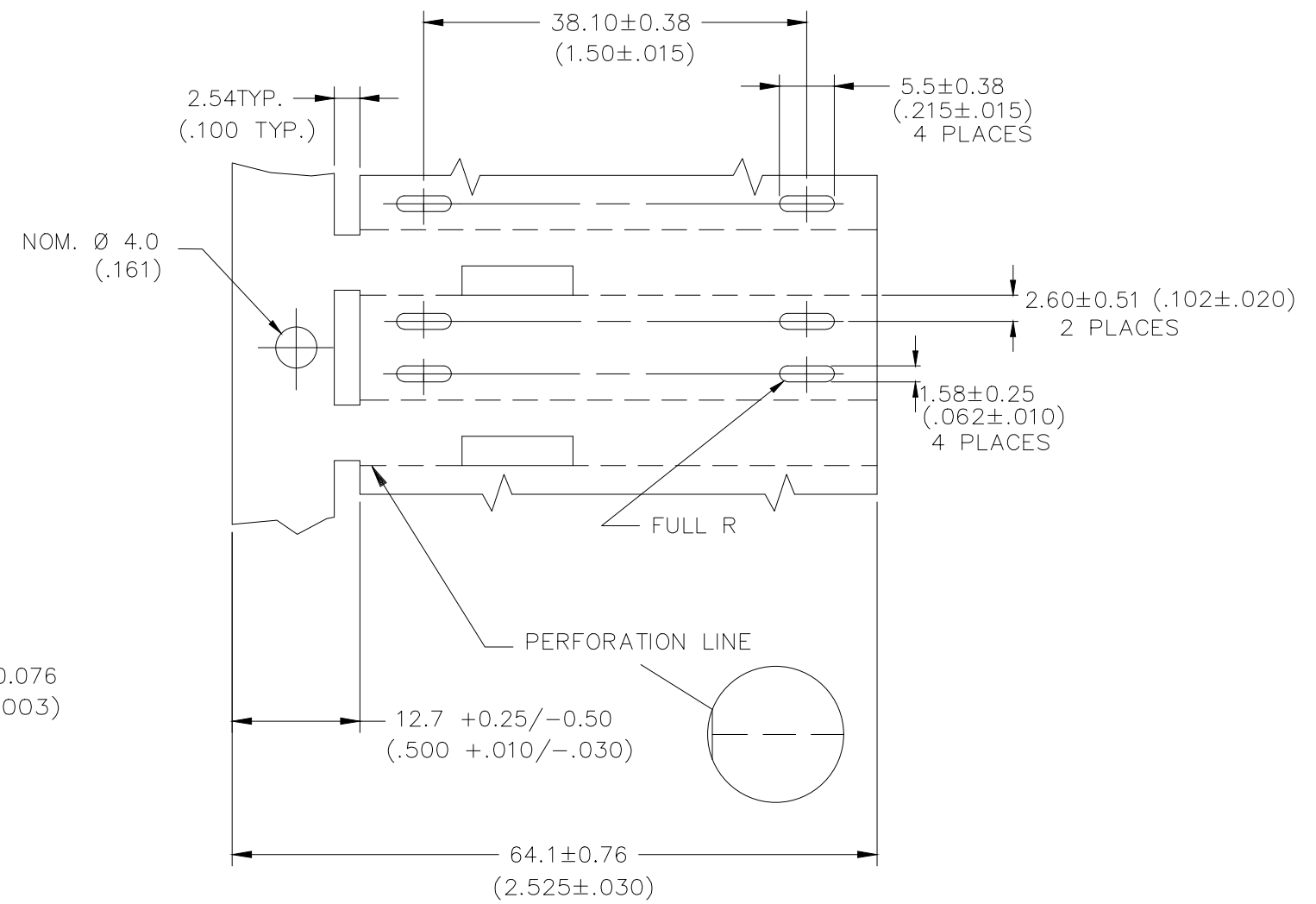
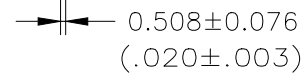
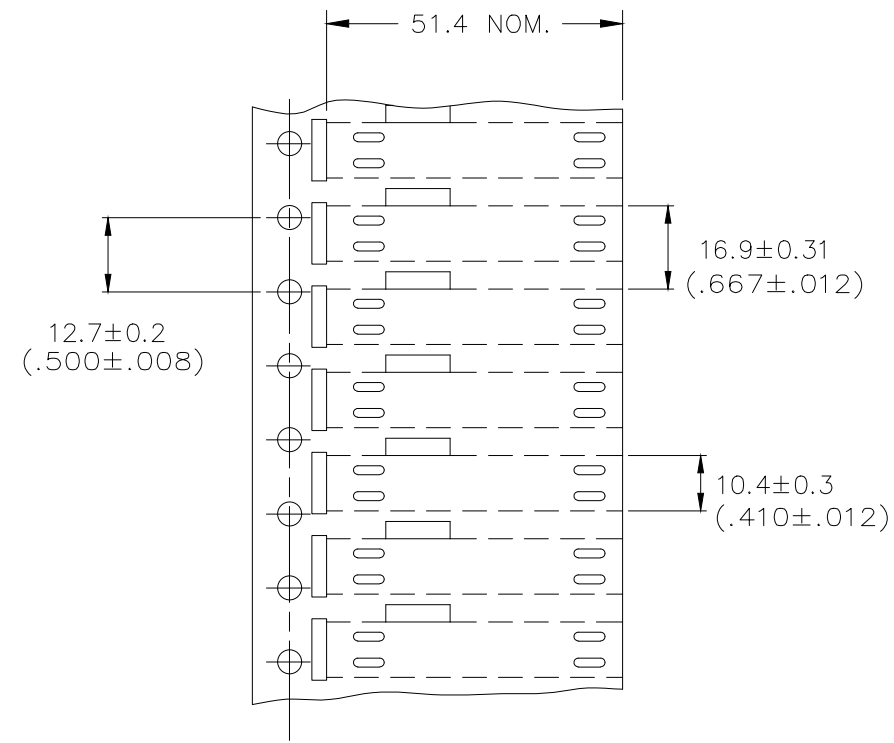



P	LTR	DESCRIPTION	DATE	DWN	APVD
	D	INITIAL CUSTOMER DRAWING	08APR2020	AFK	LS



THIS DRAWING IS A CONTROLLED DOCUMENT.		DWN AFK	01APR2020	 TE Connectivity	
DIMENSIONS: mm		CHK -	-		
TOLERANCES UNLESS OTHERWISE SPECIFIED:		APVD LS	02APR2020	NAME CM-SCE-TP-1/4-4H	
0 PLC ± - 1 PLC ± - 2 PLC ± - 3 PLC ± - 4 PLC ± - ANGLES ± -		PRODUCT SPEC RW-2513		RESTRICTED TO -	
MATERIAL CROSSLINKED POLYOLEFIN		FINISH -		APPLICATION SPEC 411-121000	SIZE A3
		WEIGHT 0.6g Nom.		CAGE CODE 0198G	DRAWING NO C=MCD99008
		CUSTOMER DRAWING		SCALE ---	SHEET 1 OF 1
				REV D	