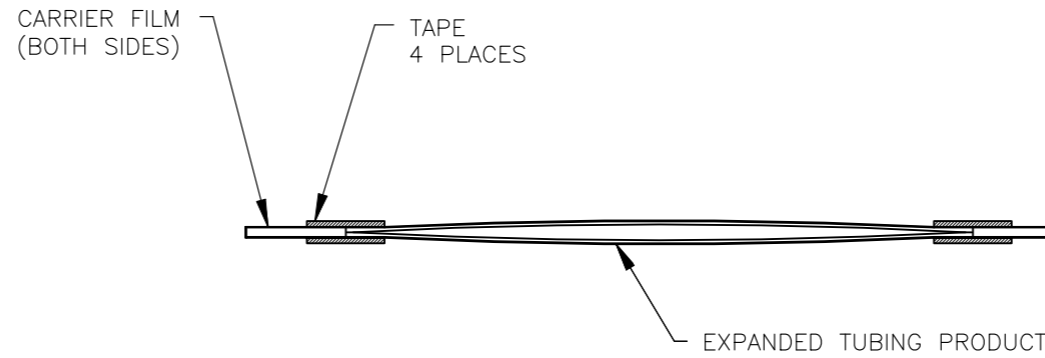
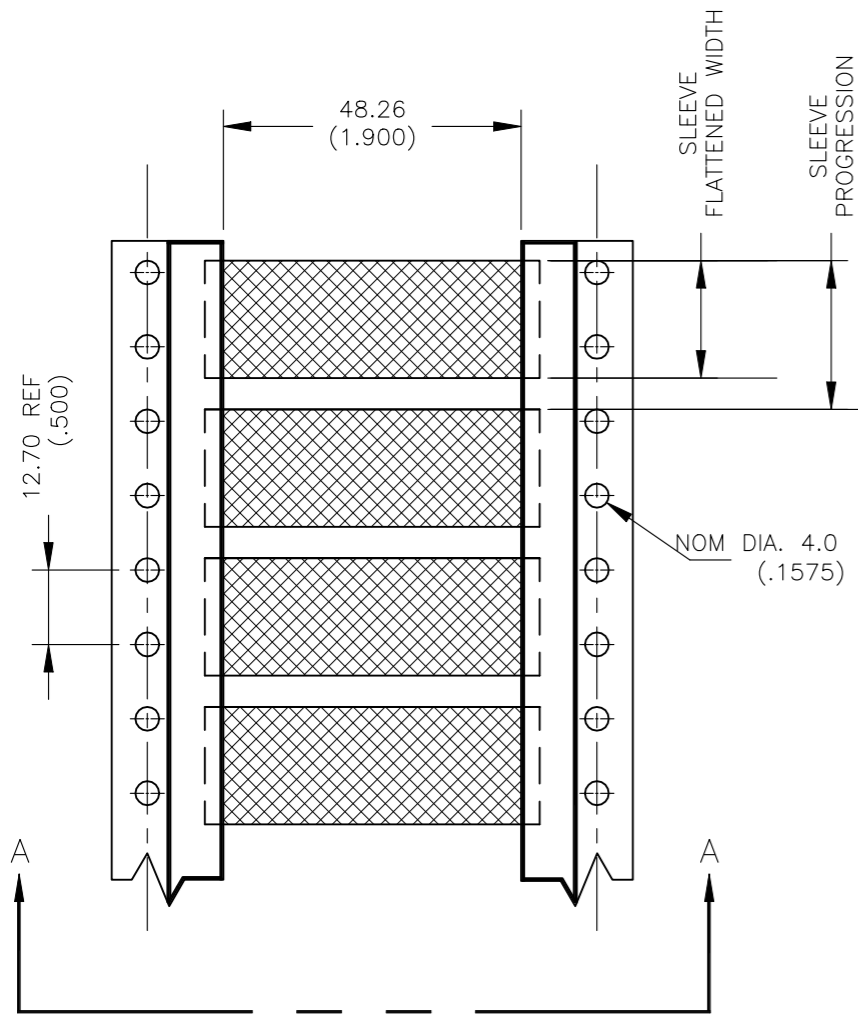


P	LTR	DESCRIPTION	DATE	DWN	APVD
3		REVISED AS PER ECR-24-217957	19AUG2024	GH	AFK

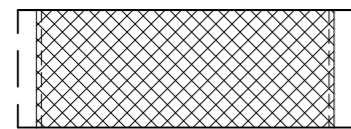


SECTION A-A

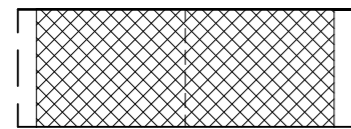
Product Size	2.4	3.2	4.8	6.4	9.5	12.7	19.0	25.4	38.1
Minimum Sleeve Flattened Width	4.90 (.194)	6.50 (.256)	8.9 (.350)	11.0 (.433)	15.7 (.618)	20.7 (.815)	30.7 (1.209)	41.1 (1.618)	61.0 (2.402)
Nominal Sleeve Progression	12.70 (.500)	12.70 (.500)	12.70 (.500)	16.94 (.667)	25.40 (1.000)	29.64 (1.167)	42.34 (1.667)	50.80 (2.00)	72.0 (2.835)
"D" Minimum Supplied I.D.	2.40 (.094)	3.20 (.125)	4.80 (.189)	6.35 (.250)	9.50 (.375)	12.70 (.500)	19.05 (.750)	25.40 (1.00)	38.10 (1.50)
"d" Maximum Recovered I.D.	1.19 (.047)	1.60 (.063)	2.40 (.094)	3.20 (.126)	4.8 (.189)	6.40 (.250)	9.50 (.375)	12.7 (.500)	19.1 (.750)
"W" Recovered wall ±0.08 (.003)	0.50±0.11 (.020±.004)	0.50±0.11 (.020±.004)	0.51±0.11 (.020±.004)	0.65±0.15 (.026±.006)	0.65±0.15 (.026±.006)	0.65±0.15 (.026±.006)	0.75±0.15 (.030±.006)	0.90±0.15 (.035±.006)	1.00±0.20 (.039±.008)

DIMENSIONS IN MM (INCHES)

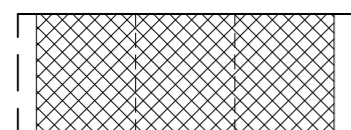
SCORING OPTIONS



SIDE SCORE

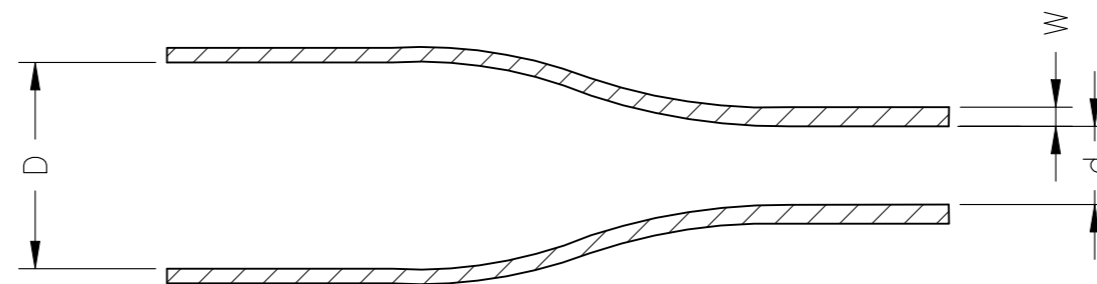



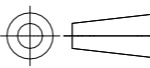
S1



S2

NOTE:
1. SIDE SCORE ALSO AVAILABLE WITH S1 & S2



THIS DRAWING IS A CONTROLLED DOCUMENT.		DWN AFK CHK -	21FEB2020	 TE Connectivity	
DIMENSIONS: mm		TOLERANCES UNLESS OTHERWISE SPECIFIED:			
		0 PLC	± -	PRODUCT SPEC RW-2536	
		1 PLC	± -	APPLICATION SPEC	
		2 PLC	± -	SIZE	
		3 PLC	± -	CAGE CODE	
		4 PLC	± -	DRAWING NO	
		ANGLES	± -	RESTRICTED TO	
MATERIAL CROSSLINKED POLYOLEFIN		FINISH	-	WEIGHT VARIOUS	
				A30198G	
				C-MCD160011	
				CUSTOMER DRAWING	
				SCALE -	
				SHEET 1 OF 1	
				REV 3	