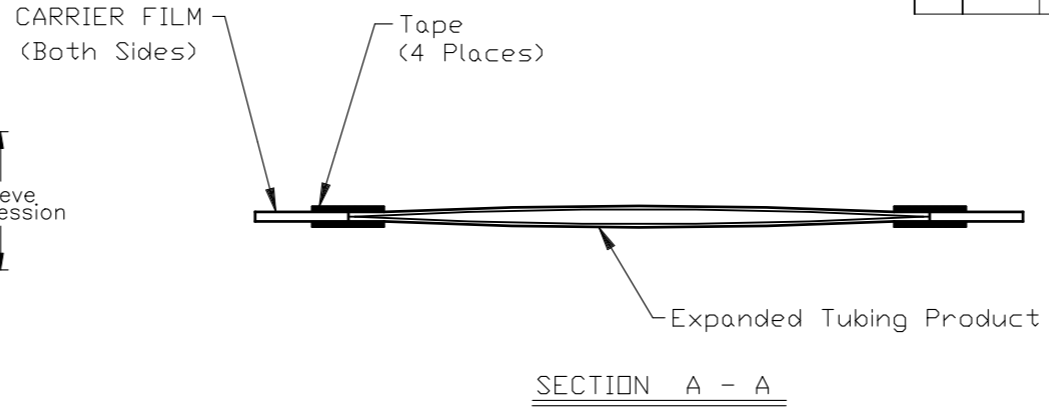
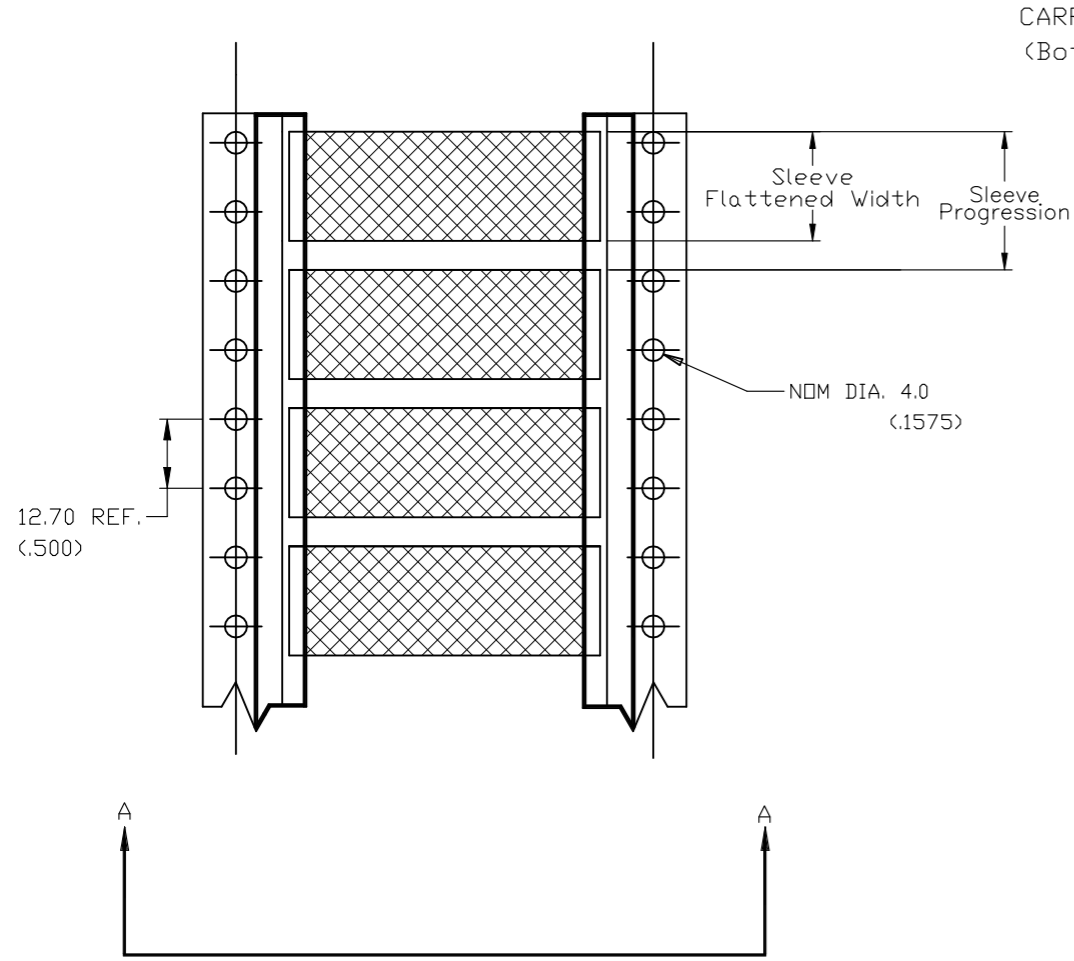


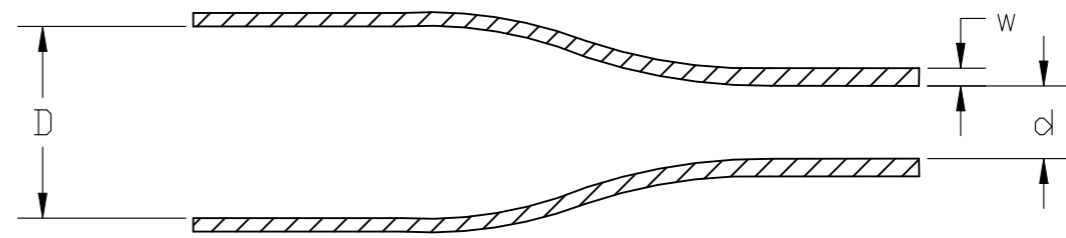
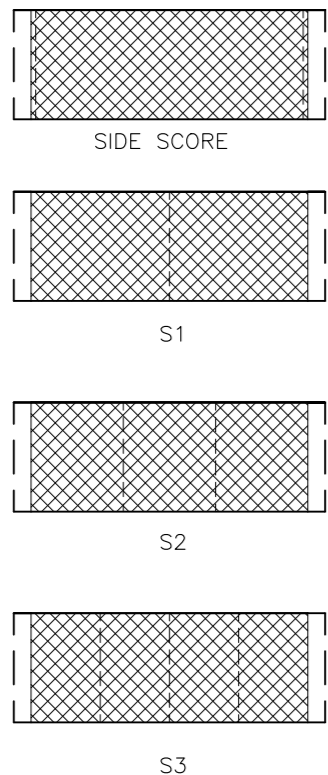
P	LTR	DESCRIPTION	DATE	DWN	APVD
	F2	REVISED PER ECR-24-216887	06AUG2024	GH	AK



Product Size	3/32	1/8	3/16	1/4	3/8	1/2	3/4	1	1-1/2
Minimum Sleeve Flattened Width	4.32 (.170)	5.84 (.230)	8.00 (.315)	10.70 (.420)	15.5 (.610)	20.4 (.804)	30.5 (1.200)	40.4 (1.590)	60.3 (2.37)
Nominal Sleeve Progression	12.70 (.500)	12.70 (.500)	12.70 (.500)	16.93 (.667)	25.40 (1.000)	29.63 (1.167)	42.33 (1.667)	50.80 (2.000)	71.96 (2.833)
"D" Minimum Supplied I.D.	2.38 (.0937)	3.18 (.1250)	4.76 (.1875)	6.35 (.250)	9.53 (.375)	12.70 (.500)	19.05 (.750)	25.40 (1.00)	38.10 (1.50)
"d" Maximum Recovered I.D.	0.79 (.0312)	1.59 (.0625)	2.38 (.0938)	3.18 (.1250)	4.76 (.1875)	6.35 (.250)	9.53 (.375)	12.70 (.500)	19.05 (.750)
"w" Recovered wall	0.38±0.08 (.015±.003)	0.38±0.08 (.015±.003)	0.38±0.08 (.015±.003)	0.38±0.08 (.015±.003)	0.38±0.08 (.015±.003)	0.38±0.08 (.015±.003)	0.38±0.08 (.015±.003)	0.43±0.10 (.017±.004)	0.43±0.10 (.017±.004)

DIMENSIONS IN mm (inches)

SCORING OPTIONS



NOTE:  
1. SIDE SCORE ALSO AVAILABLE WITH S1, S2, & S3

THIS DRAWING IS A CONTROLLED DOCUMENT.		DWN AFK CHK -	26FEB2020	TE Connectivity	
DIMENSIONS: mm		TOLERANCES UNLESS OTHERWISE SPECIFIED:			
		0 PLC ± - 1 PLC ± - 2 PLC ± - 3 PLC ± - 4 PLC ± - ANGLES ± -		PRODUCT SPEC RW-2512	SIZE
MATERIAL CROSSLINKED PVdF		FINISH -		APPLICATION SPEC 411-121008	CAGE CODE A30198G
CUSTOMER DRAWING				WEIGHT VARIOUS	DRAWING NO C-MCD160005
				RESTRICTED TO -	SCALE -
				SHEET 1 OF 1	REV F2