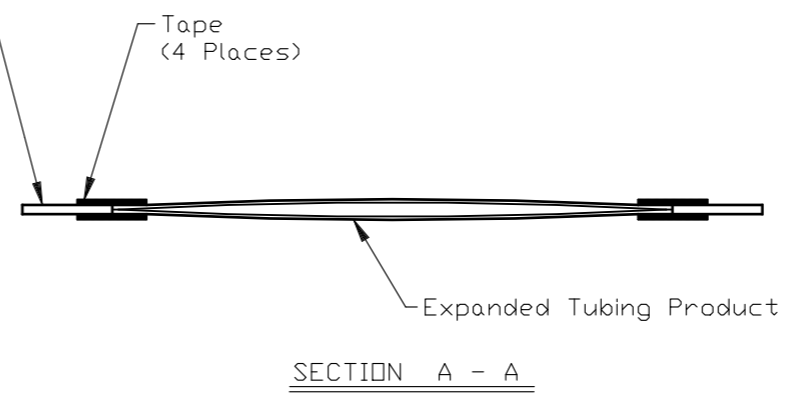
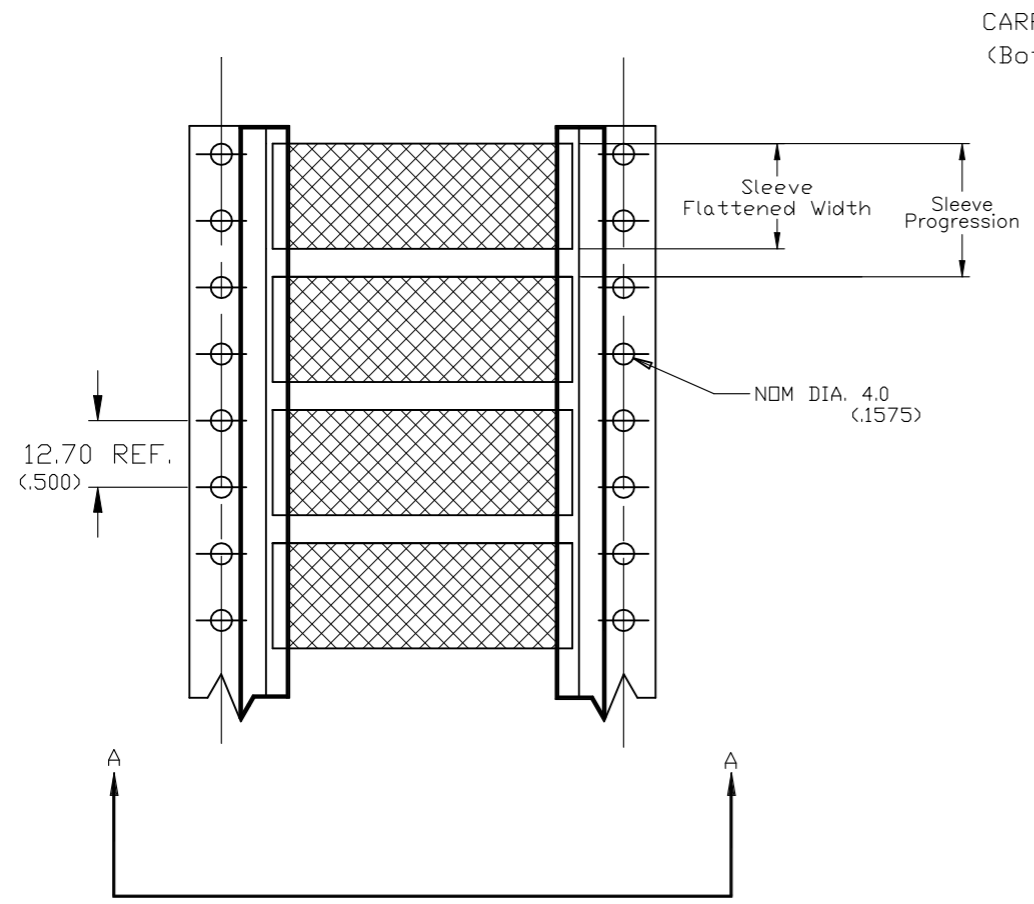


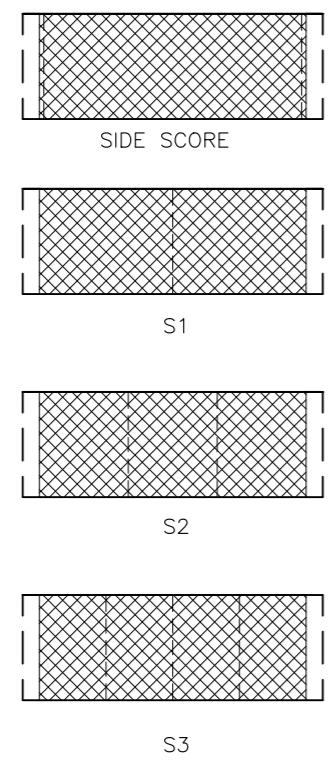
P	LTR	DESCRIPTION	DATE	DWN	APVD
	E2	REVISED PER ECR-24-216887	06AUG2024	GH	AK



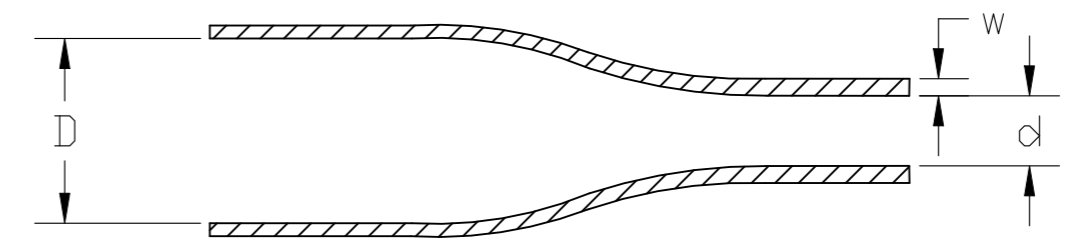
Product Size	22-18	18-12	16-10	8-4	10-2	6-250	1-400	400-1000
Minimum Sleeve Flattened Width	5.84 (.230)	8.00 (.315)	10.7 (.420)	15.5 (.610)	20.4 (.803)	30.5 (1.200)	40.4 (1.590)	60.3 (2.37)
Nominal Sleeve Progression	12.70 (.500)	12.70 (.500)	16.94 (.667)	25.40 (1.000)	29.64 (1.167)	42.34 (1.667)	50.80 (2.00)	71.96 (2.83)
"D" Minimum Supplied I.D.	3.18 (.125)	4.75 (.187)	6.35 (.250)	9.53 (.375)	12.70 (.500)	19.05 (.750)	25.40 (1.00)	38.10 (1.50)
"d" Maximum Recovered I.D.	1.07 (.042)	1.57 (.062)	2.11 (.083)	3.18 (.125)	4.22 (.166)	6.35 (.250)	8.46 (.333)	19.05 (.750)
"w" Recovered wall ±0.08 (.003)	0.58 (.023)	0.58 (.023)	0.58 (.023)	0.61 (.024)	0.61 (.024)	0.61 (.024)	0.64 (.025)	0.51 (.020)

DIMENSIONS IN mm (inches)

SCORING OPTIONS



NOTE:  
1. SIDE SCORE ALSO AVAILABLE WITH S1, S2, & S3



THIS DRAWING IS A CONTROLLED DOCUMENT.		DWN AFK	31JAN2020	<b>STE</b> TE Connectivity	
DIMENSIONS: mm		CHK -	-		
TOLERANCES UNLESS OTHERWISE SPECIFIED:		APVD LS	04FEB2020	NAME RPS	
0 PLC ± -		PRODUCT SPEC		RW-2510	
1 PLC ± -		APPLICATION SPEC		-	
2 PLC ± -		SIZE		CAGE CODE	DRAWING NO
3 PLC ± -		-		A30198G	C-MCD160003
4 PLC ± -		WEIGHT		RESTRICTED TO	
ANGLES ± -		VARIOUS		-	
FINISH -		CUSTOMER DRAWING		SCALE -	SHEET 1 OF 1
CROSS-LINKED POLYOLEFIN		SCALE -		REV E2	