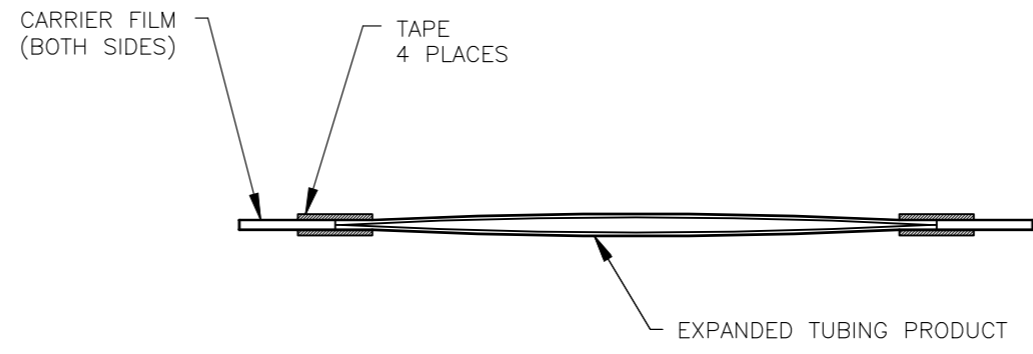
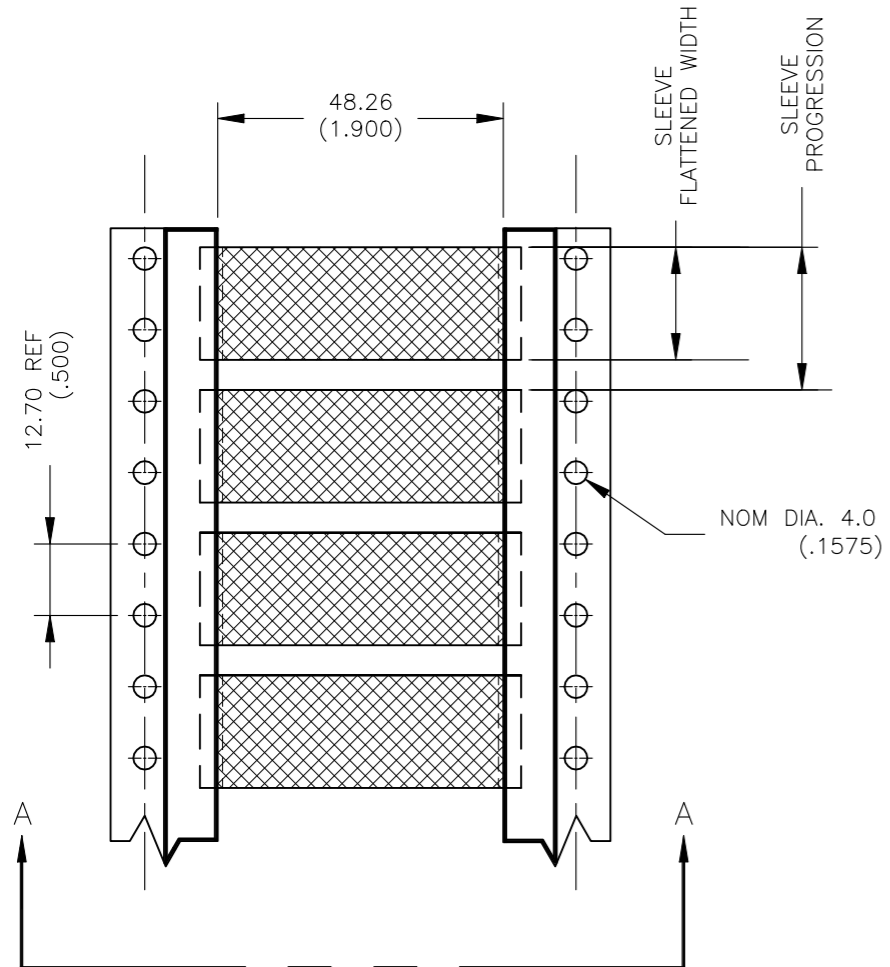


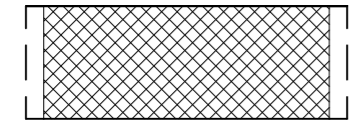
P	LTR	DESCRIPTION	DATE	DWN	APVD
	J2	REVISED AS PER ECR-24-217957	16AUG2024	GH	AFK



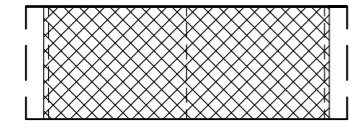
Product Size	2.4	3.2	4.8	6.4	9.5	12	18	25	38
Minimum Sleeve Flattened Width	4.45 (.175)	5.84 (.230)	8.00 (.315)	10.67 (.420)	15.49 (.610)	20.45 (.805)	30.48 (1.200)	40.39 (1.590)	60.33 (2.375)
Nominal Sleeve Progression	12.70 (.500)	12.70 (.500)	12.70 (.500)	16.94 (.667)	25.40 (1.000)	29.64 (1.167)	42.34 (1.667)	50.80 (2.00)	71.96 (2.83)
"D" Minimum Supplied I.D.	2.39 (.094)	3.18 (.125)	4.75 (.187)	6.4 (.250)	9.53 (.375)	12.70 (.500)	19.05 (.750)	25.40 (1.00)	38.10 (1.50)
"d" Maximum Recovered I.D.	0.79 (.0312)	1.07 (.042)	1.57 (.062)	2.11 (.083)	3.17 (.125)	4.22 (.166)	6.35 (.250)	8.46 (.333)	19.05 (.750)
"W" Recovered wall ±0.08 (.003)	0.51 (0.023)	0.51 (0.023)	0.58 (0.023)	0.58 (0.023)	0.61 (.024)	0.61 (.024)	0.61 (.024)	0.64 (.025)	0.64 (.025)

DIMENSIONS IN MM (INCHES)

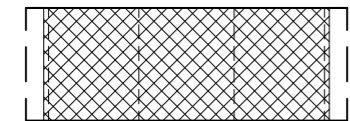
SCORING OPTIONS



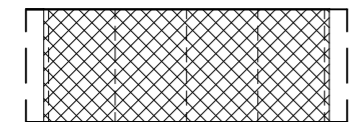
NO SIDE SCORE



S1

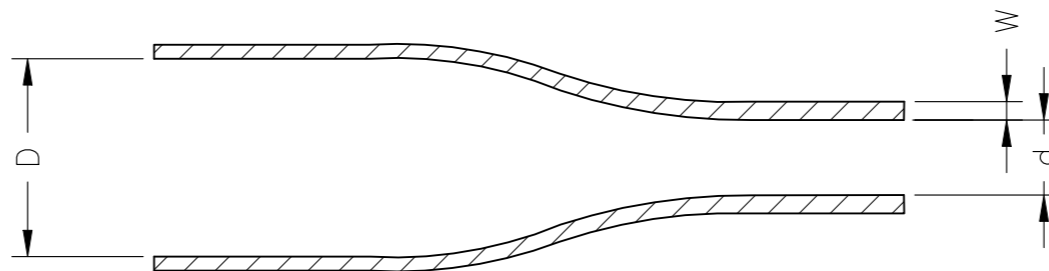


S2



S3

NOTE:  
 1. SIDE SCORE ALSO AVAILABLE WITH S1, S2, & S3  
 2. NO SIDE SCORE ALSO AVAILABLE WITH S1, S2, & S3



THIS DRAWING IS A CONTROLLED DOCUMENT.		DWN AFK	08JAN2020	<b>STE</b> TE Connectivity	
DIMENSIONS: mm		CHK -	-		
TOLERANCES UNLESS OTHERWISE SPECIFIED:		APVD LS	20JAN2020	NAME D-SCE	
0 PLC ± -		PRODUCT SPEC RW-2519		SIZE -	
1 PLC ± -		APPLICATION SPEC 411-121008		CAGE CODE A30198G	DRAWING NO C-MCD160000
2 PLC ± -		MATERIAL CROSSLINKED POLYOLIFIN		RESTRICTED TO -	
3 PLC ± -		FINISH -		SCALE NTS	SHEET 1 OF 1
4 PLC ± -		WEIGHT VARIOUS		REV J2	
ANGLES ± -		CUSTOMER DRAWING			