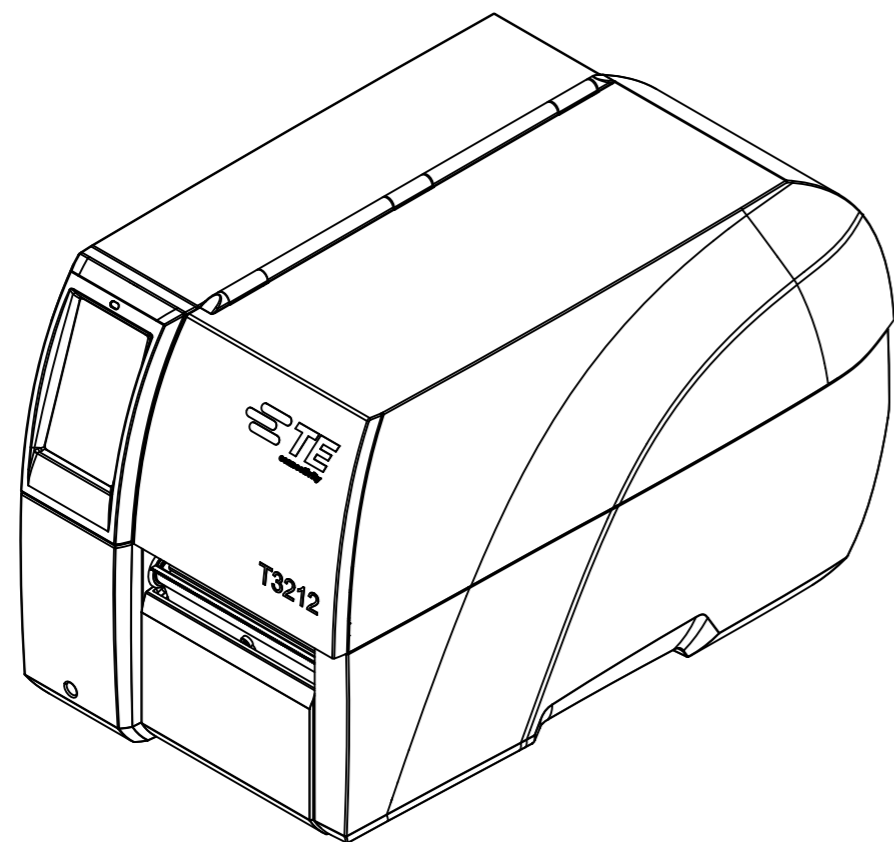
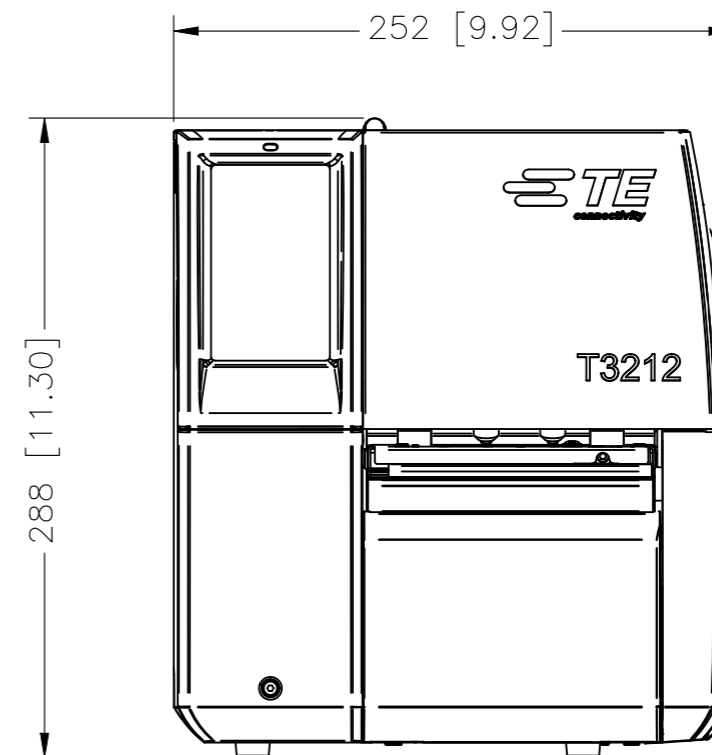
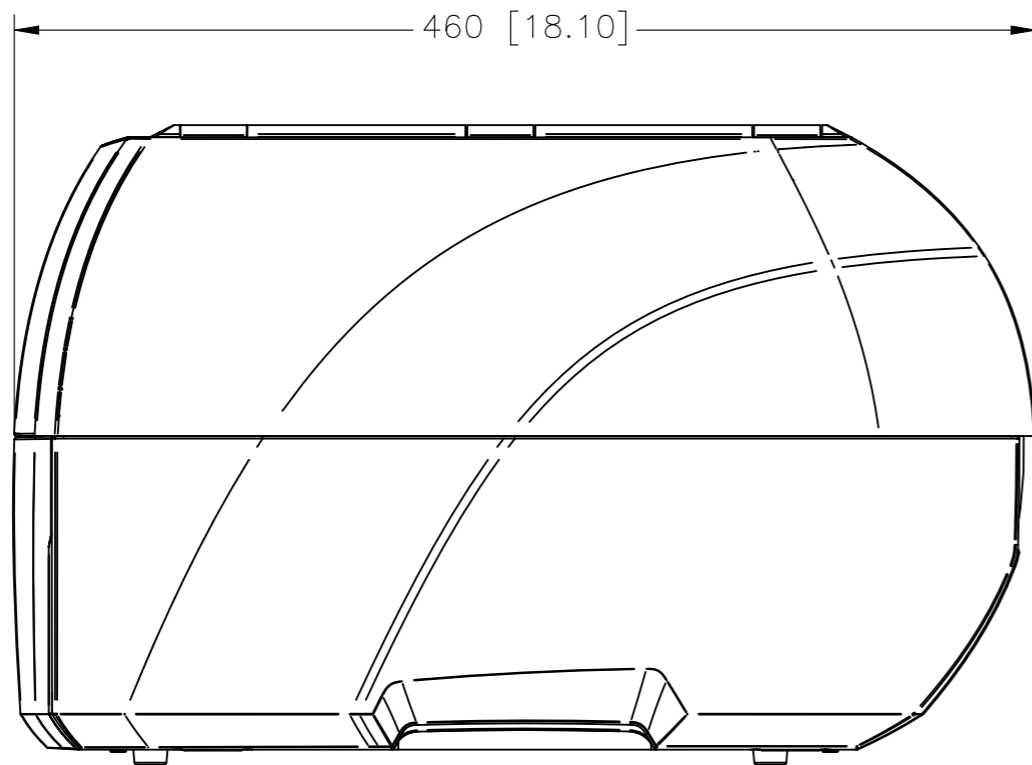


REVISIONS					
P	LTR	DESCRIPTION	DATE	DWN	APVD
	A	NEW DRAWING	17FEB2020	GK	IR



TTDS-274	T3224-SWARE-PRINTER	1-2186503-1
TTDS-274	T3224-PRINTER	1-2186502-1
TTDS-272	T3212-SWARE-PRINTER	1-2186501-1
TTDS-272	T3212-PRINTER	1-2186500-1
TECHNICAL DATA SHEET	TE DESCRIPTION	TE PART NUMBER

THIS DRAWING IS A CONTROLLED DOCUMENT.		DWN 17FEB2021 GOPALAKRISHNA HV	<b>STE</b> TE Connectivity		
		CHK 17FEB2021 IAN RIDGEWAY			
DIMENSIONS: mm [INCHES]		APVD 17FEB2021 IAN RIDGEWAY	NAME T32XX-PRINTER		
TOLERANCES UNLESS OTHERWISE SPECIFIED:		PRODUCT SPEC	-		
0 PLC ± -		APPLICATION SPEC	-		
1 PLC ± -		WEIGHT 10Kg [22lb]	SIZE A3	CAGE CODE FB1U7	DRAWING NO C-MCD-200022
2 PLC ± -		MATERIAL -	RESTRICTED TO -		
3 PLC ± -			SCALE 6:1 SHEET 1 OF 1 REV A		
4 PLC ± -		CUSTOMER DRAWING			
ANGLES ± -					
FINISH -					