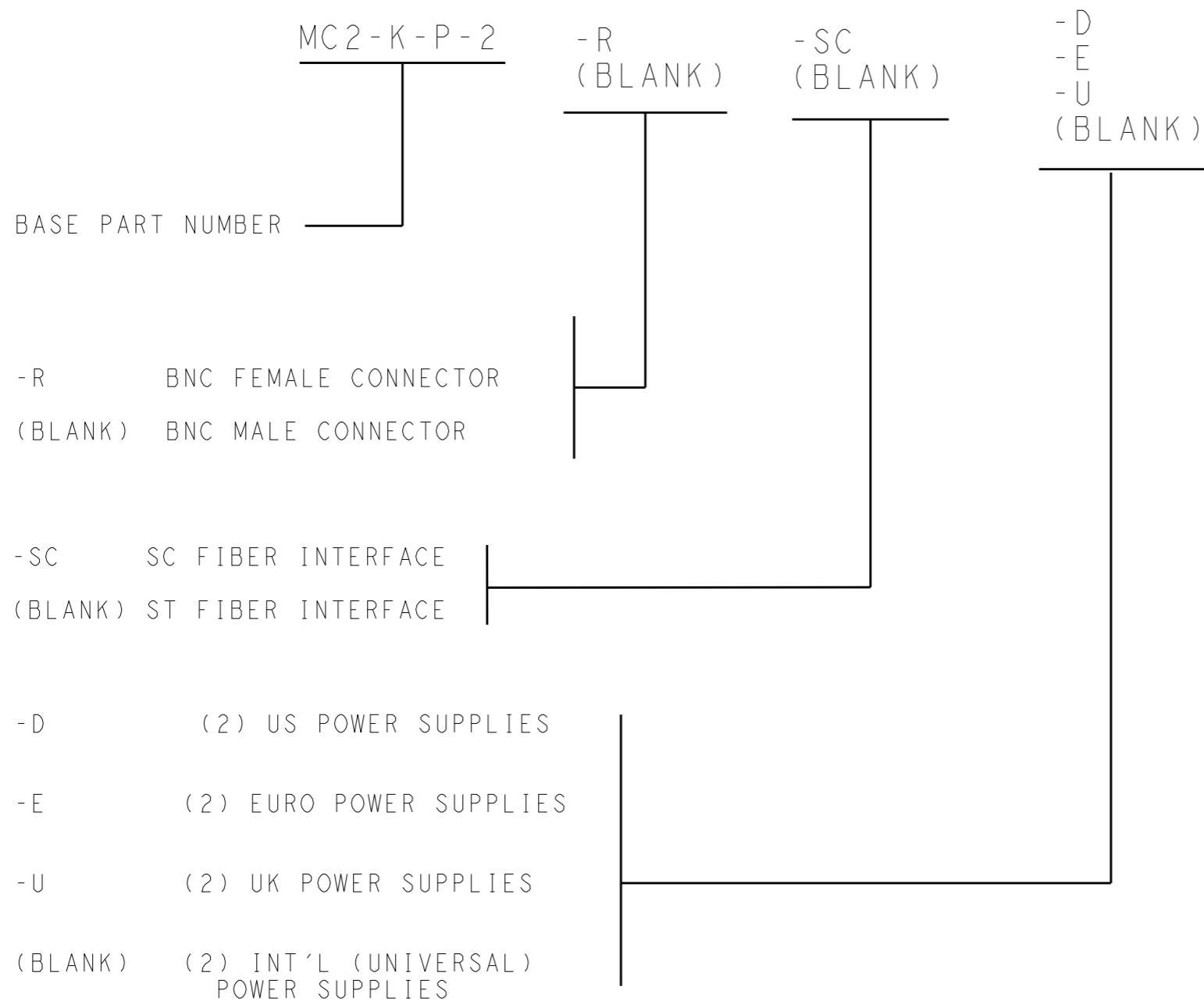


REVISIONS

P	LTR	DESCRIPTION	DATE	DWN	APVD
	A	INITIAL	15JUL2020	BP	-

△2 MC2 MEDIA CONVERTER PART CONFIGURATION:



△1 ALL MC2 KIT PART NUMBERS CONTAIN:

- (1) TX MC2 MODULE
- (1) RX MC2 MODULE
- (2) POWER SUPPLIES

△2 ALL MC2 MODULES (TX OR RX) HAVE ONE FIBER INTERFACE AND ONE BNC ELECTRICAL INTERFACE THAT VARY WITH PART NUMBER.

BOTH TX AND RX MODULES HAVE IDENTICAL CONNECTOR INTERFACE ACCORDING TO PART NUMBER.

SEE PART CONFIGURATION FOR CONNECTOR OPTIONS.

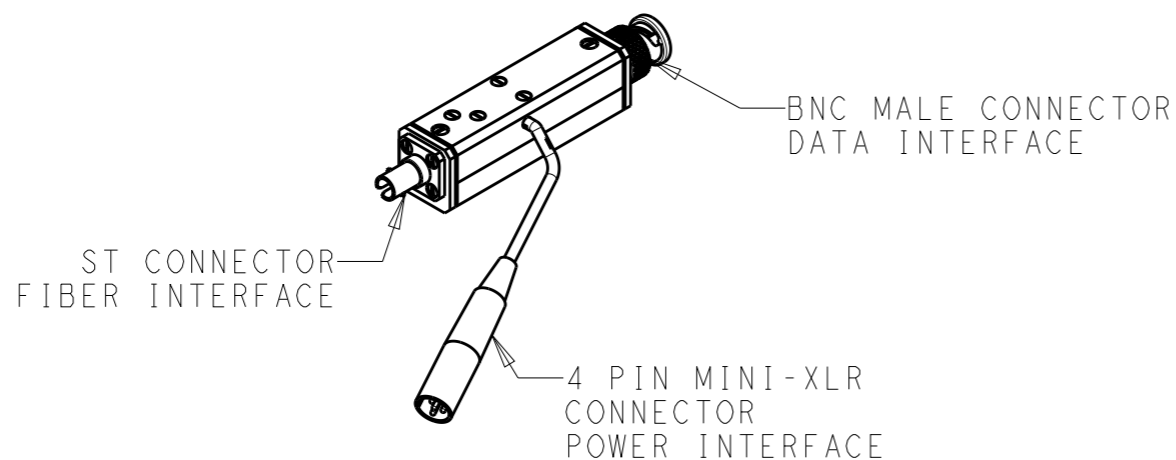
THIS DRAWING IS A CONTROLLED DOCUMENT.		DWN B. PIPER	15JUL2020		
DIMENSIONS: mm		CHK -	APVD -		
		TOLERANCES UNLESS OTHERWISE SPECIFIED:		NAME KIT CONFIGURATIONS, MC2 MEDIA CONVERTER	
MATERIAL -		FINISH -		PRODUCT SPEC -	
				APPLICATION SPEC -	
				WEIGHT -	
				SIZE A3	CAGE CODE 00779
				DRAWING NO G=MC2-K-P-2	
				RESTRICTED TO -	
				SCALE -	SHEET 1 OF 2
				REV A	

REVISIONS

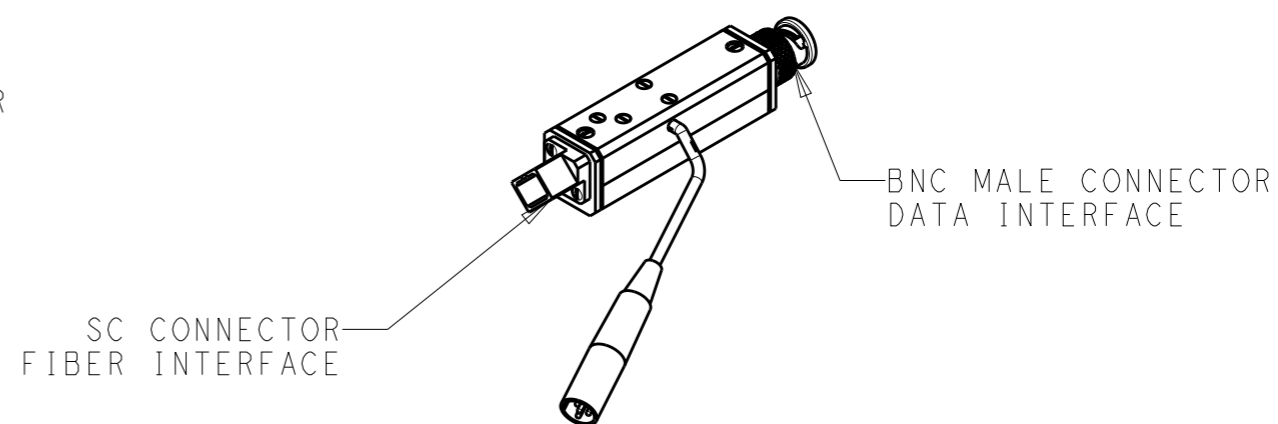
P	LTR	DESCRIPTION	DATE	DWN	APVD
-	-	SEE SHEET 1	-	-	-

PICTORIAL REFERENCES
MC2 MODULE CONFIGURATION

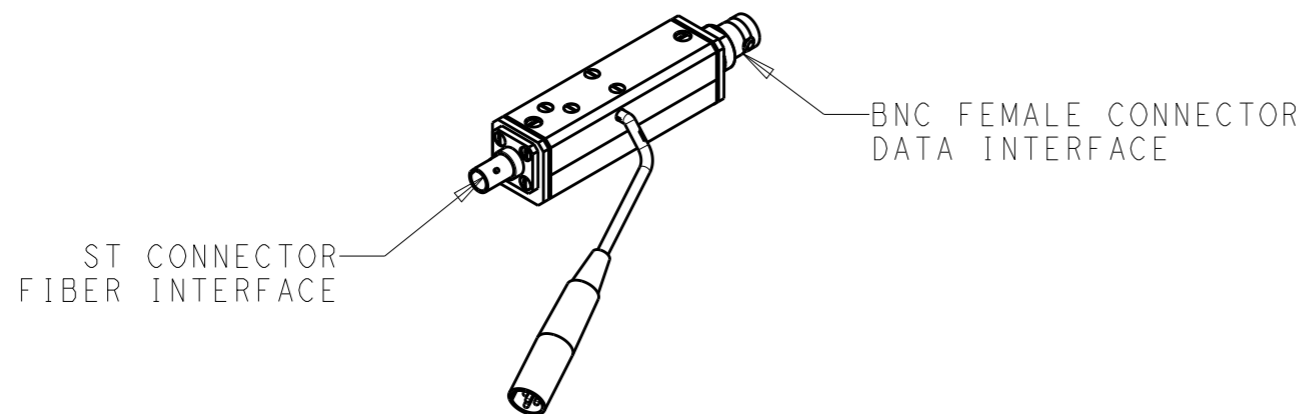
MC2 MODULES IN
KIT MC2-K-P-2



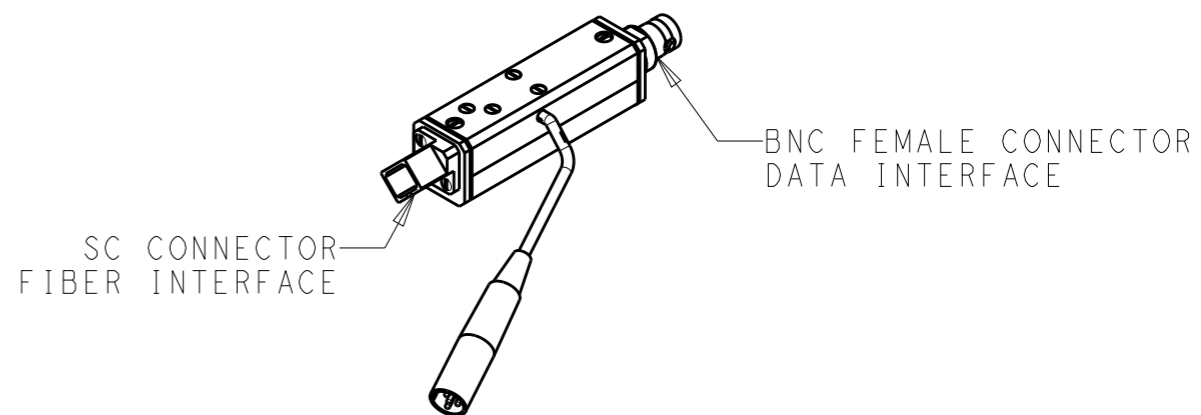
MC2 MODULES IN
KIT MC2-K-P-2-SC



MC2 MODULES IN
KIT MC2-K-P-2-R



MC2 MODULES IN
KIT MC2-K-P-2-R-SC



THIS DRAWING IS A CONTROLLED DOCUMENT.		DWN B. PIPER	15 JUL 2020	TE TE Connectivity			
DIMENSIONS: mm		CHK -	APVD -			NAME KIT CONFIGURATIONS, MC2 MEDIA CONVERTER	
TOLERANCES UNLESS OTHERWISE SPECIFIED:		PRODUCT SPEC -	APPLICATION SPEC -	SIZE A3	CAGE CODE 00779	DRAWING NO G-MC2-K-P-2	RESTRICTED TO
MATERIAL -		FINISH -	WEIGHT -	SCALE -		SHEET 2 OF 2	REV A
CUSTOMER DRAWING							