

THIS DRAWING IS UNPUBLISHED.

RELEASED FOR PUBLICATION

REVISIONS

© COPYRIGHT - TE Connectivity Ltd.

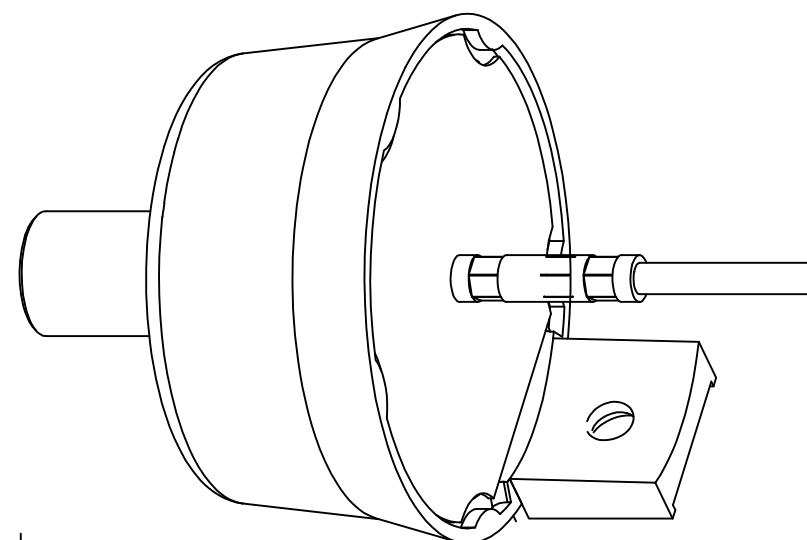
ALL RIGHTS RESERVED.

P	LTR	DESCRIPTION	DATE	DWN	APVD
2		ECO-18-008288	05/18	JM	-

Metal-Oxide Surge Arrester Polymeric housing
 IEC 61643-1 / Class II / I max = 40 kA
 Nominal discharge current 10 kA
 High current Impulse 4 / 10µs: 100 kA (test as per IEC 60099-4)
 Energy absorption during line discharge impulses (2 shots): 4,1 kJ/kV Uc
 Continuous operating voltage Uc: 440 V

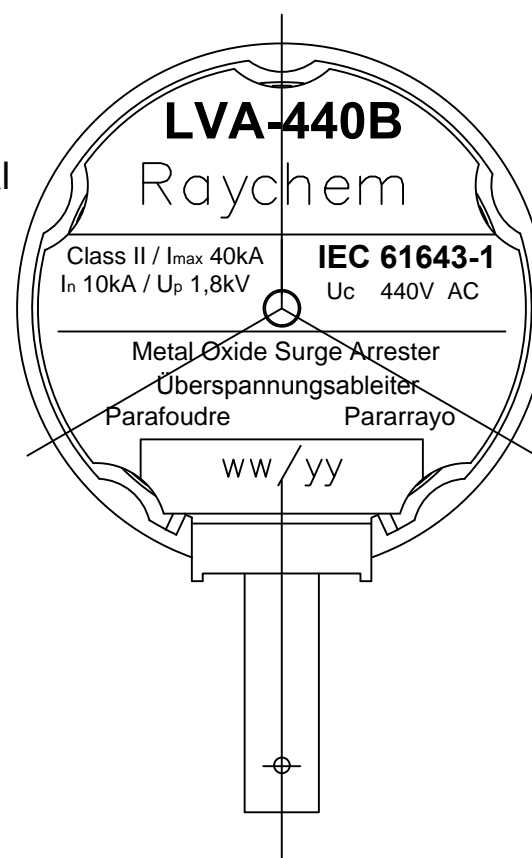
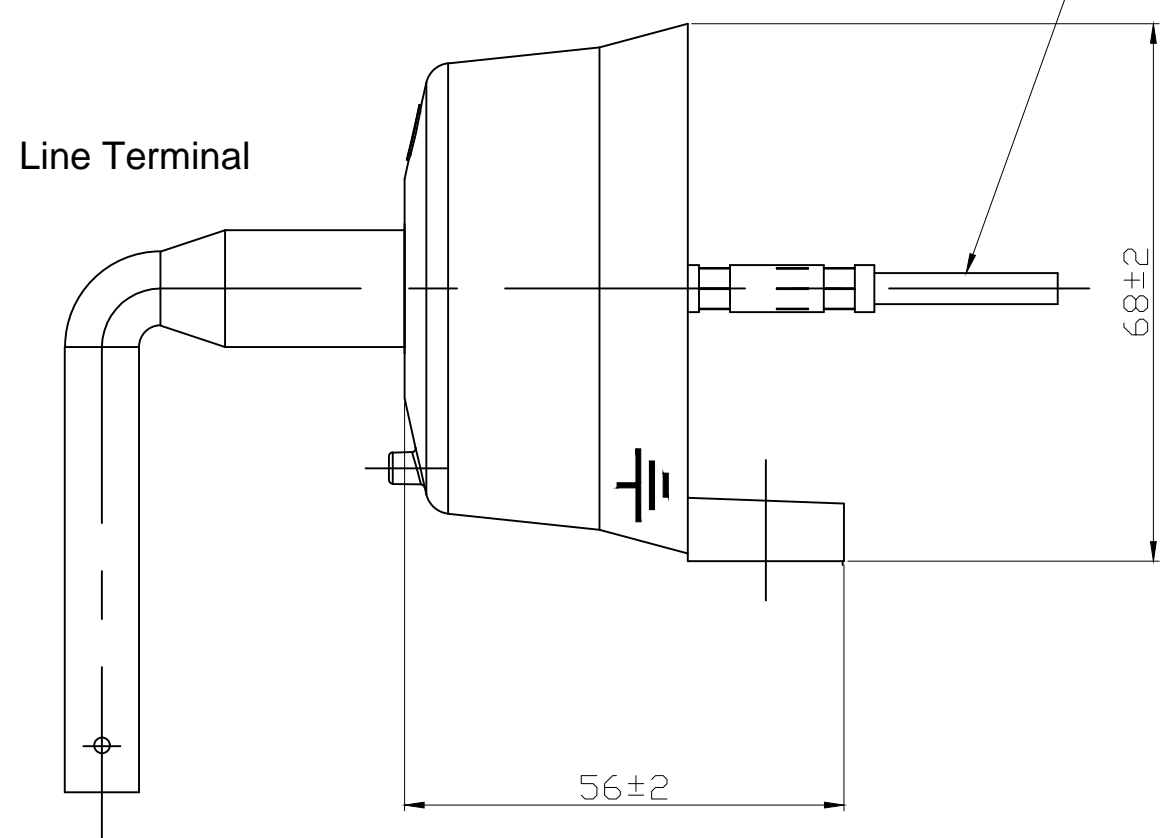
For indoor and outdoor application
 Rated frequency: 48 - 62 Hz
 Ambient temperature: -40...+70°C
 Max. altitude: 2000 m


6mm² Copper Conductor, with Insulation
 Length = 1000±20mm



Line Terminal

Earth Terminal



THIS DRAWING IS A CONTROLLED DOCUMENT.		DWN J MULLIGAN 01MAY2018	 TE Connectivity Ltd.		
DIMENSIONS: mm		CHK R ULBRYCH 05/18			
TOLERANCES UNLESS OTHERWISE SPECIFIED:		APVD P FitzGERALD 05/18	PRODUCT SPEC		RESTRICTED TO
0 PLC ± 1 1 PLC ± 0.1 2 PLC ± 0.01 3 PLC ± 0.001 4 PLC ± 0.0001 ANGLES ± 1		APPLICATION SPEC	SIZE A3	CAGE CODE 00779	DRAWING NO C-LV-LVA-01305-C
MATERIAL		FINISH	WEIGHT 0	SCALE 1:1	SHEET 1 OF 1
CUSTOMER DRAWING			REV 2		