

4

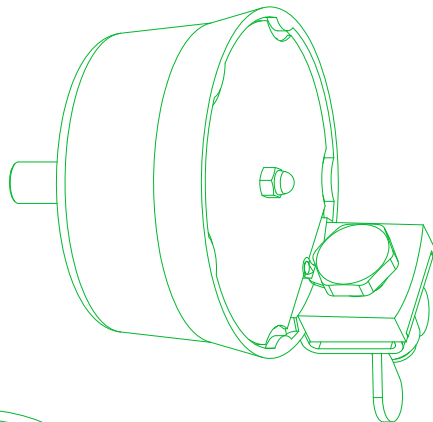
3

2

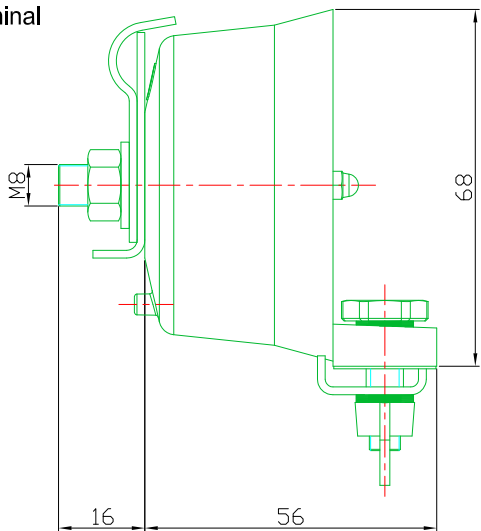
1

THIS DRAWING IS UNPUBLISHED. RELEASED FOR PUBLICATION -,- .
 ALL RIGHTS RESERVED.
 © COPYRIGHT - TE CONNECTIVITY IRELAND LTD, ISC, BLOCK 1, UNIVERSITY OF LIMERICK (NTP), CASTLETOY, LIMERICK, IRELAND

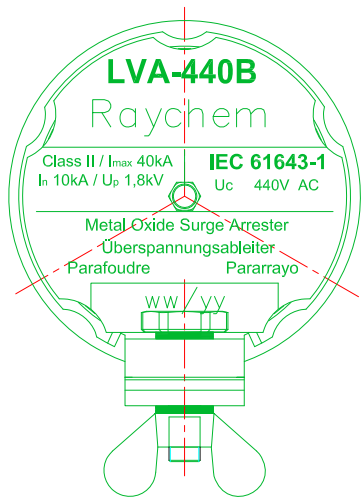
LOC	DIST	REVISIONS			
P	LTR	DESCRIPTION	DATE	DWN	APVD
-	-	A	ORIGINAL ISSUE	01/15	JM -



Line Terminal



Earth Terminal
M6 Stud




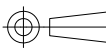
LVA-440B

Raychem

Class II / I_{max} 40kA IEC 61643-1
 I_n 10kA / U_p 1,8kV U_c 440V AC

Metal Oxide Surge Arrester
 Überspannungsableiter
 Parafoudre Pararrayo

ww/yy

THIS DRAWING IS A CONTROLLED DOCUMENT.		DWN J MULLIGAN 28/05/2014	 TE Connectivity	
DIMENSIONS: mm		CHK R ULBRYCH		
TOLERANCES UNLESS OTHERWISE SPECIFIED: 0 PLC ± 1 1 PLC ± 0.1 2 PLC ± 0.01 3 PLC ± 0.001 4 PLC ± 0.0001 ANGLES ± 1		APVD P FITZGERALD	LV SURGE ARRESTER LVA-440B-BSK	
		PRODUCT SPEC BM3305-000	SIZE A3	CAGE CODE 00779
MATERIAL ALL FITTINGS M12, A2 SS		FINISH -	DRAWING NO C=LV-LVA-00973-C	RESTRICTED TO -
		WEIGHT 0.9kg	SCALE 1:1	SHEET 1 OF 1
		CUSTOMER DRAWING	REV A	