

4

3

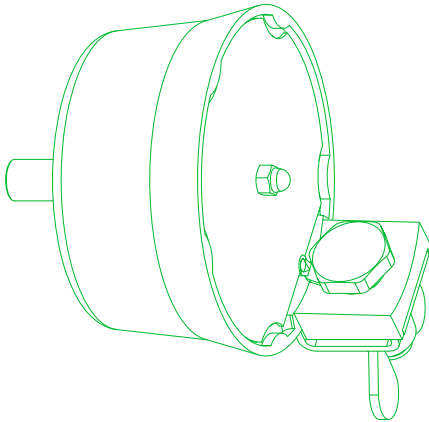
2

1

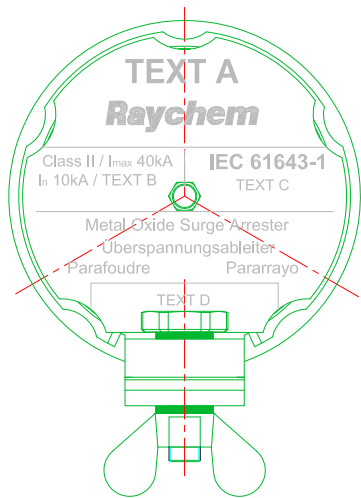
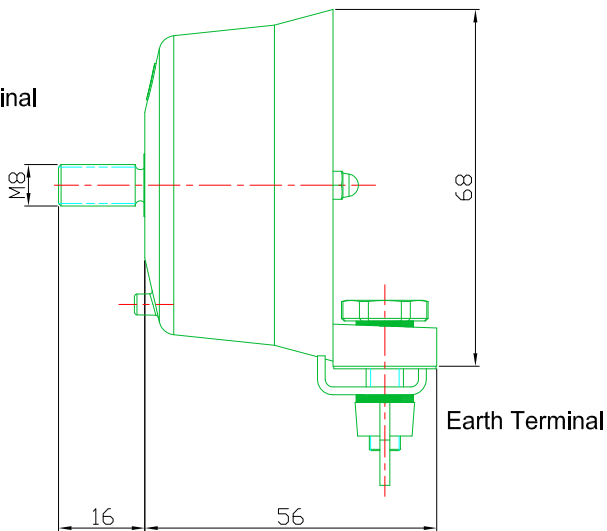
THIS DRAWING IS UNPUBLISHED. RELEASED FOR PUBLICATION - . - .
 ALL RIGHTS RESERVED.
 © COPYRIGHT - TE CONNECTIVITY IRELAND LTD, ISC, BLOCK 1, UNIVERSITY OF LIMERICK (NTP), CASTLETOY, LIMERICK, IRELAND


LOC	DIST	REVISIONS			
P	LTR	DESCRIPTION	DATE	DWN	APVD
-	-	A	ORIGINAL ISSUE	04/15	JM -

DESCRIPTION	TCPN No	WEIGHT	TEXT A	TEXT B	TEXT C	TEXT D
LVA-280B-AS	E08692-000	0.216kg	LVA-280B	Up 1.2kV	Uc 280V AC	Wk/Yr
LVA-440B-AS	E67918-000	0.210kg	LVA-440B	Up 1.8kV	Uc 440V AC	Wk/Yr



Line Terminal



THIS DRAWING IS A CONTROLLED DOCUMENT.		DWN J MULLIGAN 13/04/2015	 TE Connectivity	
DIMENSIONS: mm		CHK R ULBRYCH		
TOLERANCES UNLESS OTHERWISE SPECIFIED: 0 PLC ± 1 1 PLC ± 0.1 2 PLC ± 0.01 3 PLC ± 0.001 4 PLC ± 0.0001 ANGLES ± 1		APVD P FITZGERALD	PRODUCT SPEC LV SURGE ARRESTER LVA-xxxB-AS LVA-xxxB-10kA	RESTRICTED TO
MATERIAL ALL FITTINGS A2 SS		FINISH -	APPLICATION SPEC -	SIZE A3
		WEIGHT SEE TABLE	CAGE CODE 00779	DRAWING NO G=LV-LVA-00947-C
CUSTOMER DRAWING			SCALE 1:1	SHEET 1 OF 1
			REV A	