

# CUSTOMER PROOFING/CONFORMANCE FORM



Our commitment. Your advantage

Tyco Electronics Idento GmbH

Paul-Ehrlich-Str. 23  
63322 Rödermark

Telephone: +49(0) 6074 8908 (0)  
Facsimile: +49(0) 6074 8908 82  
E.mail: idento@tycoelectronics.com  
Website: www.idento.de

Attention of: *Tyco Electronics*

Drawing No.: *LKZ 25*

Tyco Part: *-*

Name: \_\_\_\_\_ Signature: \_\_\_\_\_

Date: \_\_\_\_\_



## PLEASE NOTE

**This form is an important part of our contract review and your order cannot be processed further until the necessary approval has been obtained.**

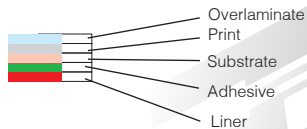
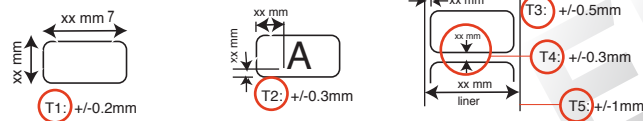
We wish to provide a quality service to you and are conscious that a lengthy delay at this stage could affect any quoted delivery requirements. Delays in excess of 2 working days could result in delivery times being untenable. Please indicate below your acceptance and/or amendments and return this form as soon as is practicable.

**Any amendments to the original design will be charged out @ Euros 40 each conformance to cover administration**

**Orders which remain on conformance with a customer for more than 2 weeks are placed in quarantine this may result in no further action or possible cancellation, however please be assured that we will attempt to contact you before this action**

## LABEL SPECIFICATION

These are our standard tolerances unless specified by customers drawing



## PRINTING



LKZ25 L1  
1-1768035-1  
X■



LKZ25 L2  
1-1768035-2  
X■



LKZ25 L3  
1-1768035-3  
X■



LKZ25 N  
1-1768035-6  
X■



LKZ25 L-PULS  
1-1768035-4  
X■



LKZ25 L-MINUS  
1-1768035-4  
X■



LKZ25 PE  
1-1768035-7  
●■



LKZ25 PEN  
1-1768035-8  
●■



LKZ25 E  
1-1768035-0  
X■



LKZ25 B1  
1768035-3  
X■



LKZ25 B2  
1768035-4  
X■



LKZ25 B3  
1768035-5  
X■



LKZ25 B4  
1768034-6  
●■



LKZ25 B5  
1768035-7  
X■

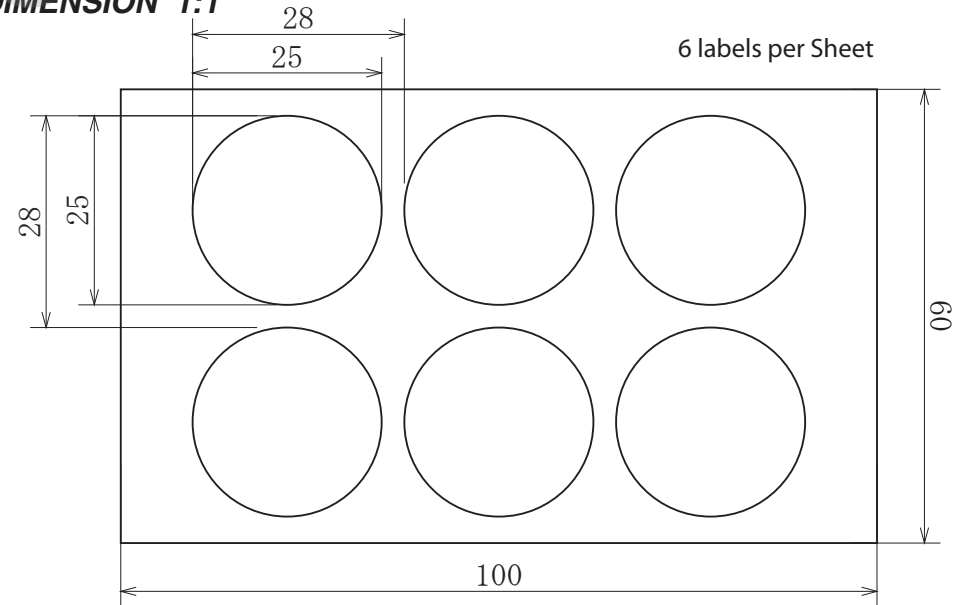


LKZ25 B6  
1768035-8  
X■



LKZ25 B7  
1768035-9  
X■

## DIMENSION 1:1



Description	Material	Nom. Thickness	Adhesive Type
LKZ 25	X PV501 soft PVC white	0,08mm	Acrykleber permanent
	● PV003 soft PVC yellow	0,07mm	Acrykleber permanent
	■ PE103 Polyester transparent	0,023mm	Permanent acrylic adhesive
<b>TITLE</b> Label	<b>REV</b> A1	<b>DRAWN BY</b> Inka Peitz 17/03/10	<b>DRAWING No.</b> LKZ 25
<b>MODIFICATION</b>		<b>DATE</b>	<b>PLAN No.</b> -
<b>APPROVED BY</b> N. Harputoglu		<b>DATE</b>	<b>FOLDER</b> Rödermark Mär10
			<b>PAGE 1</b> Customer