

P	LTR	DESCRIPTION	DATE	DWN	APVD
	A1	NEW DRAWING	01.04.2020	SI	SI

# KAPTON LABELS OVERVIEW

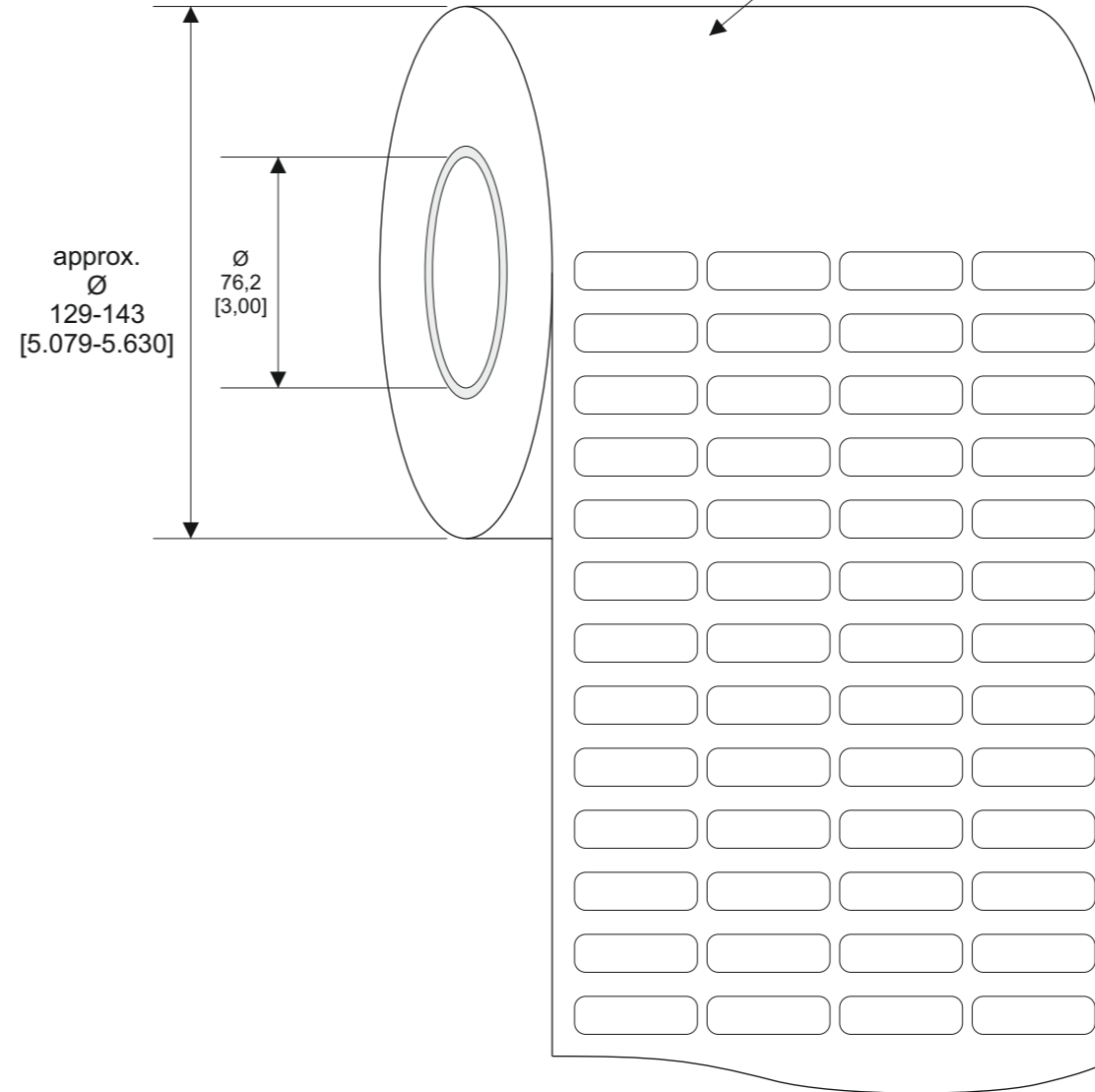
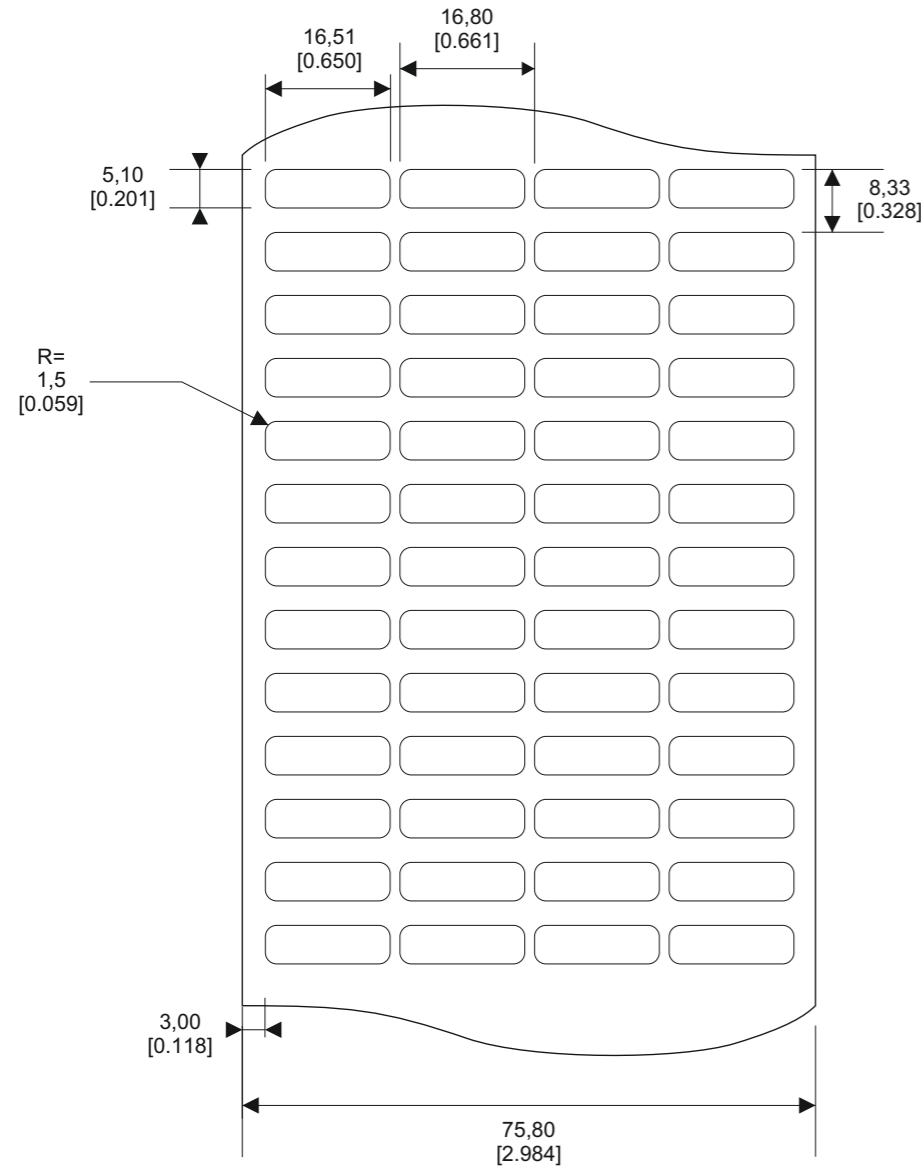
SERIES	PART NO.	DESCRIPTION	MATERIAL	TTDS
T1K	D98213-000	T1K-165051-25-9	KP228, Kapton white gloss (0,063 mm), Acrylic adhesive	TTDS-034
T2K	A37039-000	T2K-165051-25-9	KP842, Kapton white gloss (0,118 mm), Acrylic adhesive	TTDS-035

Quantity per roll: 25.000 PCs

Labels across: 4

Winding: outside


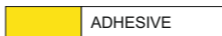
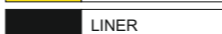
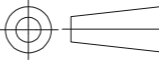
length of roll: 52,1 m



KAPTON SERIES

All dimensions in mm [inch]

labels are centered on the liner as long as not declared separately

LABEL BUILD DETAILS		TOLERANCES mm [INCH]		THIS DRAWING IS A CONTROLLED DOCUMENT		DWN S. Iser / 01.04.2020 DATE		TE Connectivity			
	SUBSTRATE	LABEL HEIGHT:	±0,3 [0,12]	DIMENSIONS mm [INCHES]	TOLERANCES UNLESS OTHERWISE SPECIFIED	CHK S. Iser / 01.04.2020 DATE	APVD S. Iser / 01.04.2020 DATE	Name			
	ADHESIVE	LABEL WIDTH:	±0,3 [0,12]			Kapton Label Size „165051“					
	LINER	WEB WIDTH:	±0,8 [0,31]	 0 PLC ± - 1 PLC ± - 2 PLC ± - 3 PLC ± - 4 PLC ± - ANGLES ± -	MATERIAL SEE TABLE FINISH GLOSS UNPRINTED MATT PRINTED	PRODUCT SPEC DATE	SIZE A3	CAGE CODE C2290	DRAWING NO. C-KAPTON	RESTRICTED TO	
		VERTICAL REPEAT:	±0,8 [0,31]*			APPLICATION SPEC DATE	WEIGHT T1K: 0,008 g   T2K: 0,013g	CUSTOMER DRAWING		SHEET 1 of 1	REV A1
		HORIZONTAL REPEAT:	±0,8 [0,31]*								
		PRINT POSITIONING:	±0,8 [0,31]*								
		LEFT MARGIN:	±0,4 [0,16]								
		QUANTITY:	-0% +2%								
		*NON ACCUMULATING									