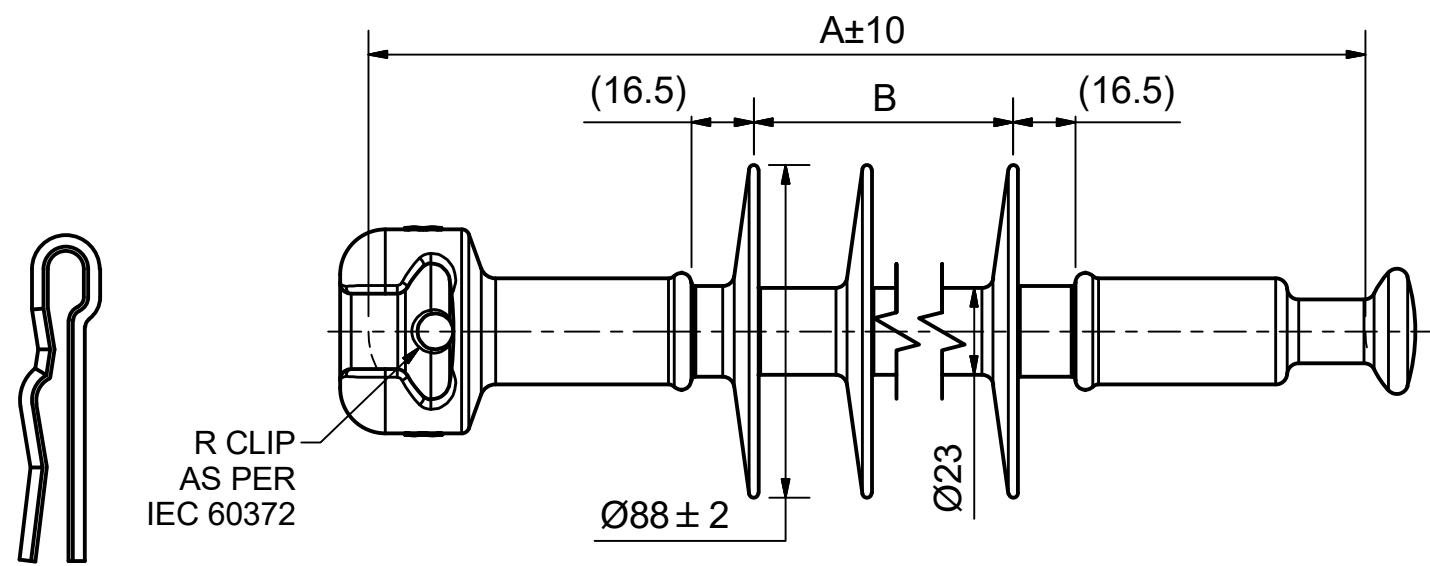


REVISIONS					
P	LTR	DESCRIPTION	DATE	DWN	APVD
	A	ORIGINAL ISSUED	03/19	GR	PK
	B	SOCKET END FITTING MODIFIED	09/19	GR	PK



MATERIAL:
 1. CORE : ECR FIBERGLASS REINFORCED POLYMER
 2. HOUSING : SILICONE RUBBER
 3. END FITTINGS : SOCKET CONFORMS TO IEC 120-16A
 BALL CONFORMS TO IEC 120-16
 4. R CLIP : STAINLESS STEEL 304
 5. TEST STANDARDS : IEC 61109 & IEC 62217

MECHANICAL PROPERTIES:
 1. SPECIFIED MECHANICAL LOAD (SML) : 70 kN
 2. ROUTINE TENSILE LOAD (RTL) : 35 kN

PRODUCT MARKING:
 1. TE LOGO
 2. SML 70kN
 3. YEAR & MONTH
 4. BATCH NO #

TCPN	DESCRIPTION	NO. OF SHED (#)	NOMINAL CREEPAGE (mm)	NOMINAL DRY ARCING (mm)	DRY AC WITHSTAND (kV)	WET AC WITHSTAND (kV)	DRY AC FLASHOVER (kV)	WET AC FLASHOVER (kV)	LIGHTNING IMPULSE WITHSTAND (kV)	LIGHTNING IMPULSE FLASHOVER (kV)	A (mm)	B (mm)	APPROX. WEIGHT (Kg)
EN9516-000	CS-70-SB-100-0265-M-01	3	265	125	60	45	75	60	100	115	255	60	1.05
EN9517-000	CS-70-SB-115-0355-M-01	4	355	155	70	55	86	70	115	130	285	90	1.10
EN9518-000	CS-70-SB-130-0445-M-01	5	445	185	85	65	95	80	130	145	315	120	1.15
EN9519-000	CS-70-SB-145-0535-M-01	6	535	215	90	70	105	85	145	160	345	150	1.20
EN9520-000	CS-70-SB-165-0625-M-01	7	625	245	100	80	115	100	165	175	375	180	1.25
EN9521-000	CS-70-SB-180-0715-M-01	8	715	275	115	90	125	105	180	195	405	210	1.30
EN9522-000	CS-70-SB-200-0805-M-01	9	805	305	125	100	135	115	200	210	435	240	1.36
EN9523-000	CS-70-SB-215-0895-M-01	10	895	335	135	110	145	125	215	225	465	270	1.40
EN9524-000	CS-70-SB-230-0985-M-01	11	985	365	145	120	155	135	230	240	495	300	1.45
EN9525-000	CS-70-SB-245-1075-M-01	12	1075	395	155	130	165	145	245	255	525	330	1.51
EN9526-000	CS-70-SB-260-1165-M-01	13	1165	425	165	140	175	155	260	275	555	360	1.56
EN9527-000	CS-70-SB-275-1255-M-01	14	1255	455	175	145	185	165	275	290	585	390	1.61
EN9528-000	CS-70-SB-290-1345-M-01	15	1345	485	185	155	195	175	290	305	615	420	1.66
EN9529-000	CS-70-SB-310-1435-M-01	16	1435	515	195	165	205	180	310	320	645	450	1.71
EN9530-000	CS-70-SB-325-1525-M-01	17	1525	545	205	175	215	190	325	335	675	480	1.76
EN9531-000	CS-70-SB-340-1615-M-01	18	1615	575	215	185	225	200	340	350	705	510	1.81
EN9532-000	CS-70-SB-355-1705-M-01	19	1705	605	225	195	235	210	355	365	735	540	1.87
EN9533-000	CS-70-SB-370-1795-M-01	20	1795	635	235	200	245	220	370	385	765	570	1.91
EN9534-000	CS-70-SB-390-1885-M-01	21	1885	665	245	210	255	230	390	400	795	600	1.96
EN9535-000	CS-70-SB-405-1975-M-01	22	1975	695	255	220	265	240	405	415	825	630	2.02
EN9536-000	CS-70-SB-420-2065-M-01	23	2065	725	265	230	275	250	420	430	855	660	2.07
EN9537-000	CS-70-SB-435-2155-M-01	24	2155	755	280	240	285	260	435	445	885	690	2.12
EN9538-000	CS-70-SB-450-2245-M-01	25	2245	785	290	250	295	270	450	460	915	720	2.17
EN9539-000	CS-70-SB-470-2335-M-01	26	2335	815	300	260	305	275	470	475	945	750	2.22
EN9540-000	CS-70-SB-485-2425-M-01	27	2425	845	310	265	315	285	485	490	975	780	2.27

NOTES:
 UNSPECIFIED TOLERANCE
 1) ±(0.04 x d + 1.5)mm WHEN d ≤ 300mm
 2) ±(0.025 x d + 6)mm WHEN d > 300mm
 WITH MAX. TOLERANCE OF ±50mm

THIS DRAWING IS A CONTROLLED DOCUMENT.

DIMENSIONS: mm	TOLERANCES UNLESS OTHERWISE SPECIFIED: 0 PL ± 1 PL ± 2 PL ± 3 PL ± 4 PL ± ANGLES ±
MATERIAL	FINISH

TE Connectivity

TE Logo

TE Connectivity

APVD 18-03-2019
 CHK RAJESH
 P KIRUSHNARAJ

NAME: HIGH CREEP TENSION DISTRIBUTION INSULATOR-SB-01

PRODUCT SPEC --
 APPLICATION SPEC --

WEIGHT --

SIZE A3 CAGE CODE 00779 DRAWING NO C-INS1548 RESTRICTED TO --

CUSTOMER DRAWING

SCALE NTS SHEET 1 OF 1 REV B