

4

3

2

1

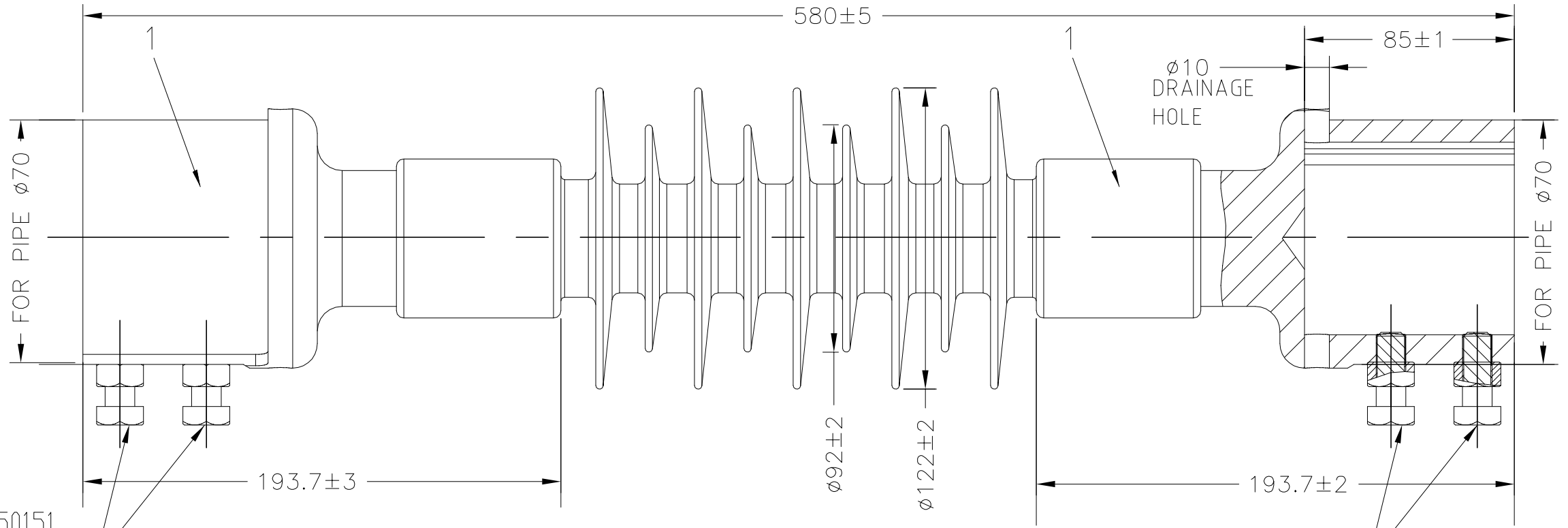
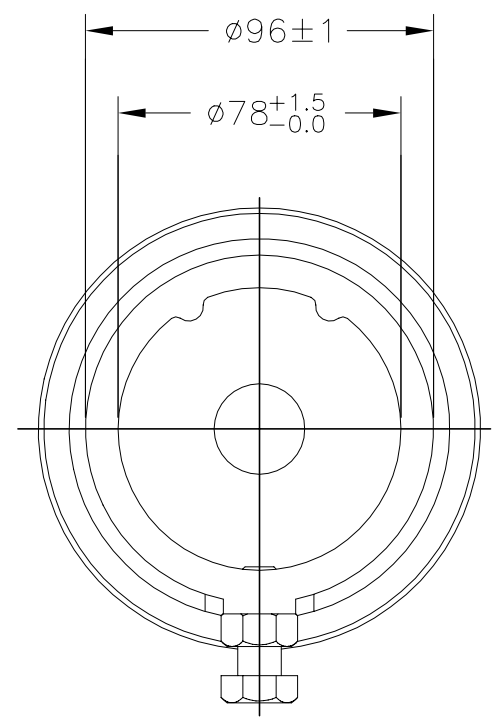
© TE Connectivity. All Rights Reserved.

31-08-2020

REVISIONS

P	LTR	DESCRIPTION	DATE	DWN	APVD
A		MDCL VALUE UPDATED FROM 40kN TO 1.13kNm	08/2020	AS	KP

A. SABARAD



TEST ACCORDING TO DIN EN 50151
 MAX TORQUE: 75Nm

ELECTRICAL PROPERTIES

DRY AC FLASHOVER : 140 kV
 WET AC FLASHOVER : 110 kV
 DRY AC WITHSTAND : 115 kV
 WET AC WITHSTAND : 90 kV
 DRY LIGHTNING WITHSTAND : 225 kV

MECHANICAL PROPERTIES

RTL : 40 kN
 STL : 80 kN
 MECHANICAL DESIGN LOAD: 1.13kNm
 (MDCL)

PHYSICAL PROPERTIES

NOMINAL CREEPAGE : 880 MM
 NOMINAL DRY ARC : 340 MM

MATERIAL

END FITTING : STEEL GALVANISED
 HOUSING : RAYCHEM HV RED (EVA)
 CORE : Ø38mm BORON FREE ECR GLASS
 WEIGHT : 8.7KG

MARKING ON ENDFITTING:
 1. INS0967
 2. MDCL: 1.13 kNm
 3. RYC

PARTS LIST					
QTY	Nr.	Name	TCPN	MATERIAL	kg/St
2	1	Pipe Cap (70)	DOC1057	St, tZn o	
4	2	CutScrew / M12		A2-70	
4	2	Hex Nut M12		A2-70	

THIS DRAWING IS A CONTROLLED DOCUMENT.		DWN A. SABARAD 31-08-2020			
		CHK AMRUTHA 31-08-2020			
DIMENSIONS: mm		APVD K. PUSTHAY 31-08-2020	NAME RRA-32R-PPG-580-70 CM6899-000		
TOLERANCES UNLESS OTHERWISE SPECIFIED:		PRODUCT SPEC	RESTRICTED TO		
0 PLC ± 1		APPLICATION SPEC	SIZE A3	CAGE CODE 00779	DRAWING NO INS0967
1 PLC ± 0.1		WEIGHT	CUSTOMER DRAWING		
2 PLC ± 0.01			SCALE 1:1	SHEET 1 of 1	REV A
3 PLC ± 0.001					
4 PLC ± 0.0001					
ANGLES ± 1					
FINISH					
MATERIAL SEE PARTS LIST					