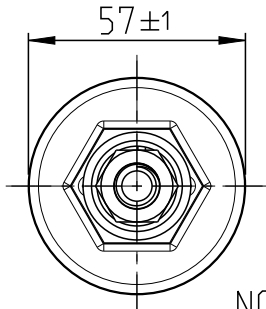
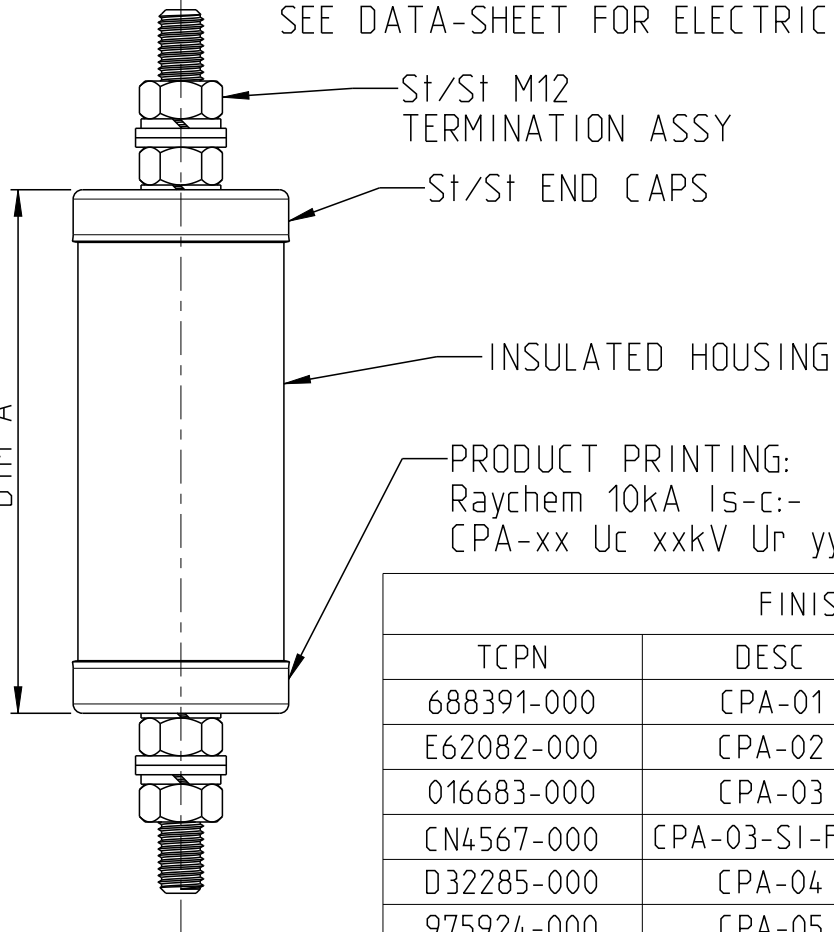
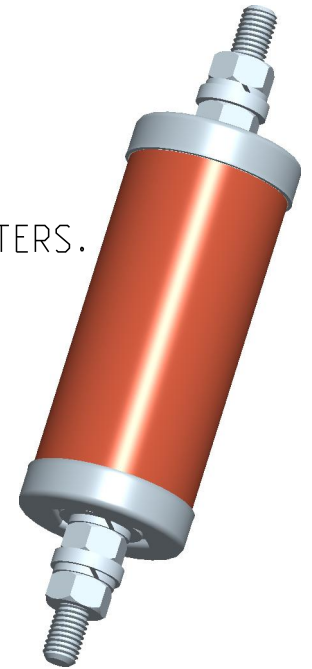


REVISIONS					
P	LTR	DESCRIPTION	DATE	DWN	APVD
	A	REVISED PER ECO-14-010093	03JUL2014	R.S	J.M
	B	REVISED PER ECO-14-016748	05NOV2014	R.S	J.M
	C	REVISED PER ECO-17-014638	12OCT2017	R.S	J.M
	D	REVISED PER ECO-17-018641	20DEC2017	R.S	J.M



NOTES:
ALL FITTINGS M12
SEE DATA-SHEET FOR ELECTRICAL PARAMETERS.



PRODUCT PRINTING:
Raychem 10kA Is-c:- Class 1 IEC 99-4
CPA-xx Uc xxkV Ur yykV YEAR Lot #

FINISHED GOOD					
TCPN	DESC	DIM A	+/-	Uc (kV)	Uy (kV)
688391-000	CPA-01	85.5	2	1	1.25
E62082-000	CPA-02	95.5	2	2	2.5
016683-000	CPA-03	107.5	2	3	3.75
CN4567-000	CPA-03-SI-FREE	107.5	2	3	3.75
D32285-000	CPA-04	115.5	2	4	5
975924-000	CPA-05	126.5	2	5	6.25
186395-000	CPA-06	137.5	2	6	7.5
D50966-000	CPA-07	144.5	2	7	8.75
C65106-000	CPA-08	151.5	2	8	10
EN1337-000	CPA-09	166.5	2	9	11.25
BM2340-000	CPA-12	198.5	3	12	15
BM2341-000	CPA-18	329.5	4	18	22.5

20
 RELEASED FOR PUBLICATION
 ALL RIGHTS RESERVED.
 BY -
 COPYRIGHT © 20

DIMENSIONS:		DWN	29/08/13
mm		RAVI.S	
TOLERANCES UNLESS OTHERWISE SPECIFIED:		CHK	29/08/13
0 PLC	±1	C.SUTTON	
1 PLC	±0.1	APVD	29/08/13
2 PLC	±0.01	C.SUTTON	
3 PLC	±0.001	PRODUCT SPEC	
4 PLC	±0.0001	APPLICATION SPEC	
ANGLES	±	WEIGHT	-

MATERIAL		FINISH	
-		-	
TE Connectivity			
NAME HV CABLE SHEATH ARRESTER CPA-XX			
SIZE	CAGE CODE	DRAWING NO	RESTRICTED TO
A 4	-	©-HV-CPA-00906-C	-
Customer Drawing		SCALE 3:5	SHEET 1 OF 1 REV D