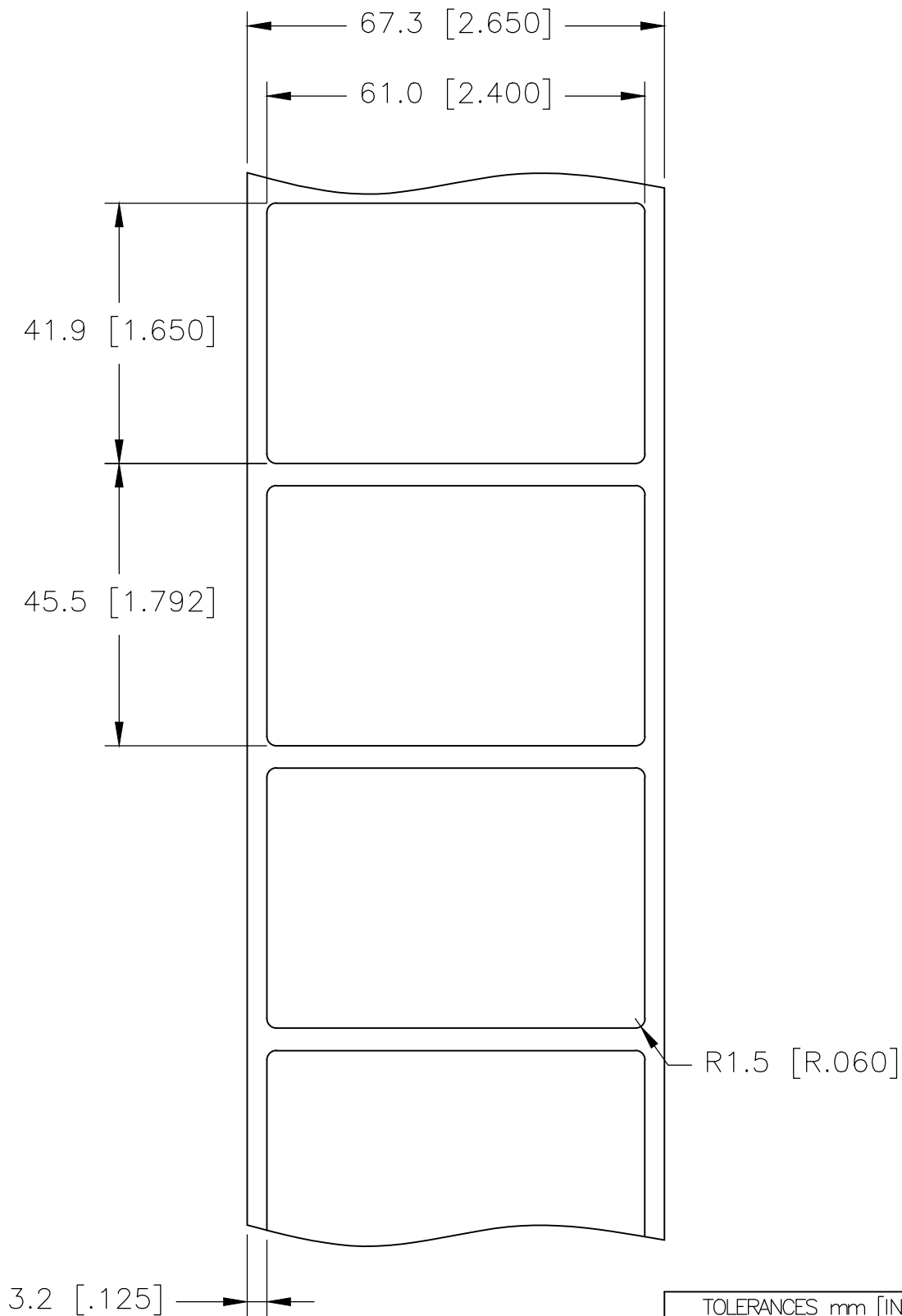
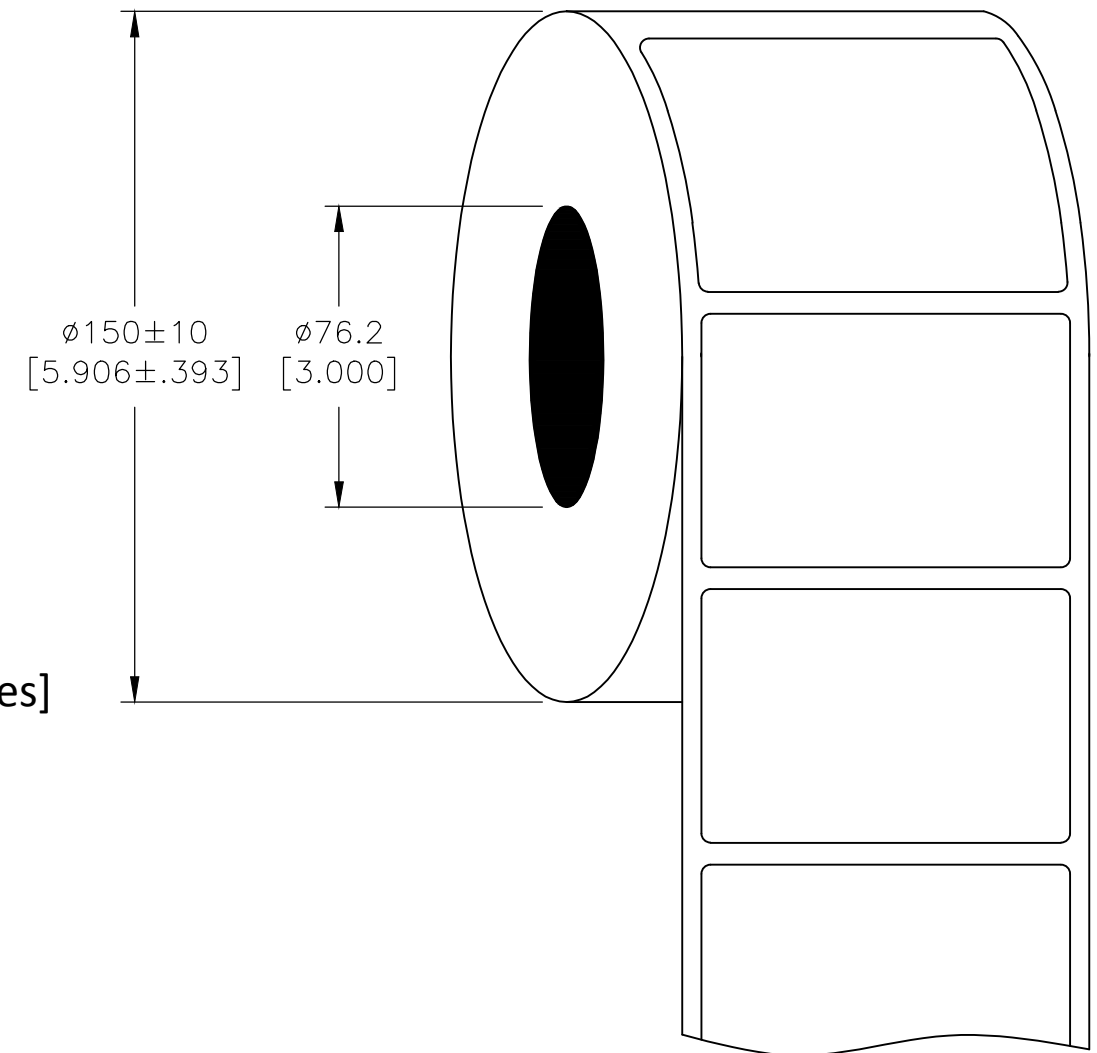


P	LTR	DESCRIPTION	DATE	DWN	APVD
	B	INITIAL RELEASE	15OCT2020	GK	MN

LABEL AND LINER DESIGN



PRESENTATION



All dimensions in mm [Inches]

TE PN: C52363-000

**OUTSIDE WOUND
LABEL ACROSS: 1
PER ROLL QTY: 2500**

MATERIAL	HIGH TACK MATTE METALIZED POLYESTER
ADHESIVE TYPE	PERMANENT ACRYLIC
LINER	GLASSINE PAPER

DWN 15OCT2020 GOPALAKRISHNA HV		STE TE Connectivity	
CHK 15OCT2020 MIKE NUTTALL			
APVD 15OCT2020 MIKE NUTTALL		NAME HMM – HIGH TACK MATTE METALIZED POLYESTER LABELS	
PRODUCT SPEC TTDS-118		-	
APPLICATION SPEC -		-	
SIZE	CAGE CODE	DRAWING NO	RESTRICTED TO
A3	C2290	C-HMM-610419-2.5-8A	-
WEIGHT 0.333g		SCALE NTS	SHEET 1 OF 1
CUSTOMER DRAWING		REV B	

TOLERANCES mm [INCH]	
LABEL HEIGHT:	± 0.3 [.012]
LABEL WIDTH:	± 0.3 [.012]
WEB WIDTH:	± 0.8 [.031]
VERTICAL REPEAT:	± 0.8 [.031]*
HORIZONTAL REPEAT:	± 0.8 [.031]*
PRINT POSITIONING:	± 0.8 [.031]*
LEFT MARGIN:	± 0.4 [.016]
QUANTITY:	-0 % +2 %
*NON ACCUMULATING	

THIS DRAWING IS A CONTROLLED DOCUMENT.	
DIMENSIONS: mm [INCHES]	TOLERANCES UNLESS OTHERWISE SPECIFIED:
	0 PLC $\pm -$
	1 PLC $\pm -$
	2 PLC $\pm -$
	3 PLC $\pm -$
	4 PLC $\pm -$
ANGLES	$\pm -$
MATERIAL SEE TABLE	FINISH -