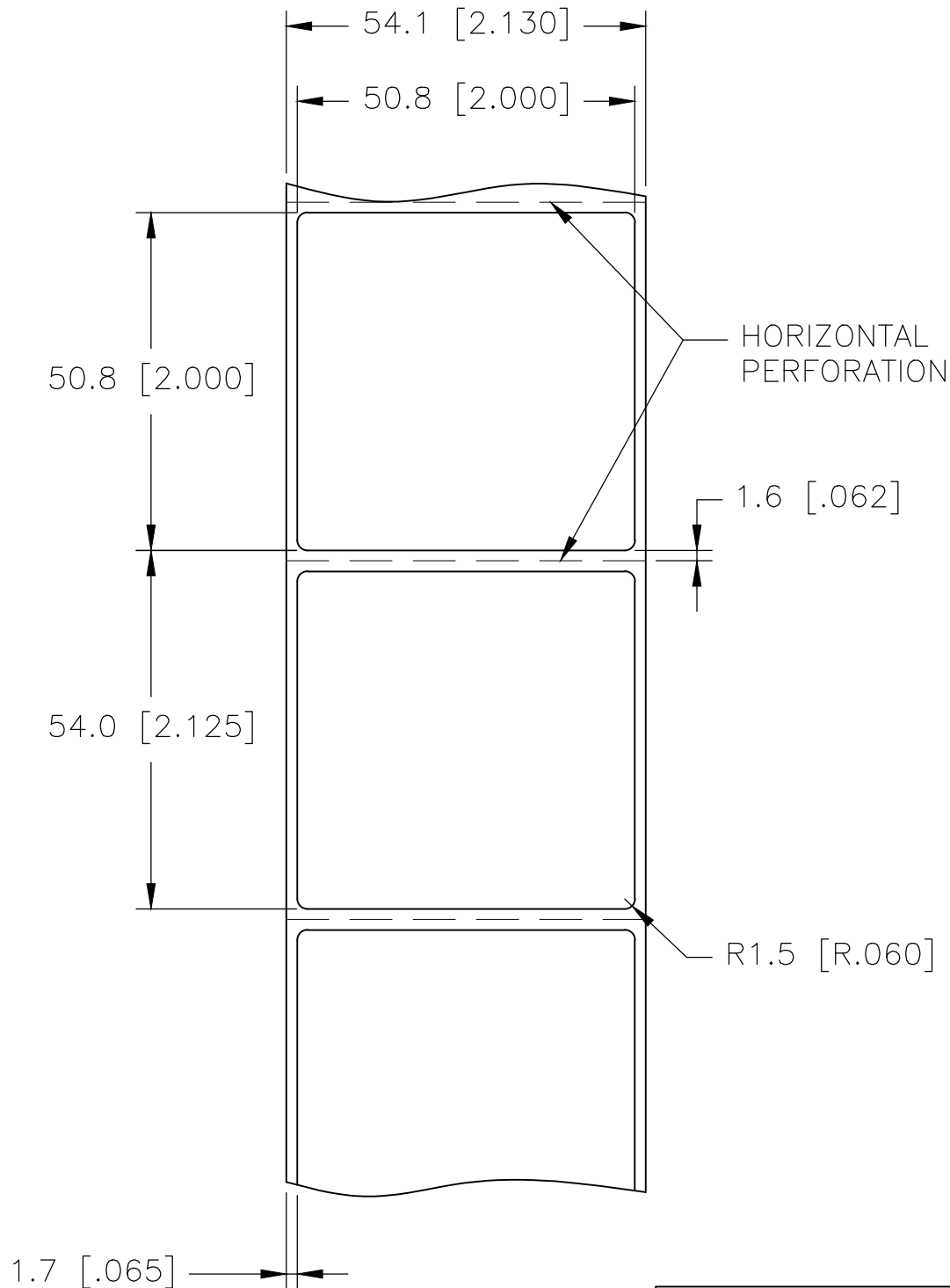
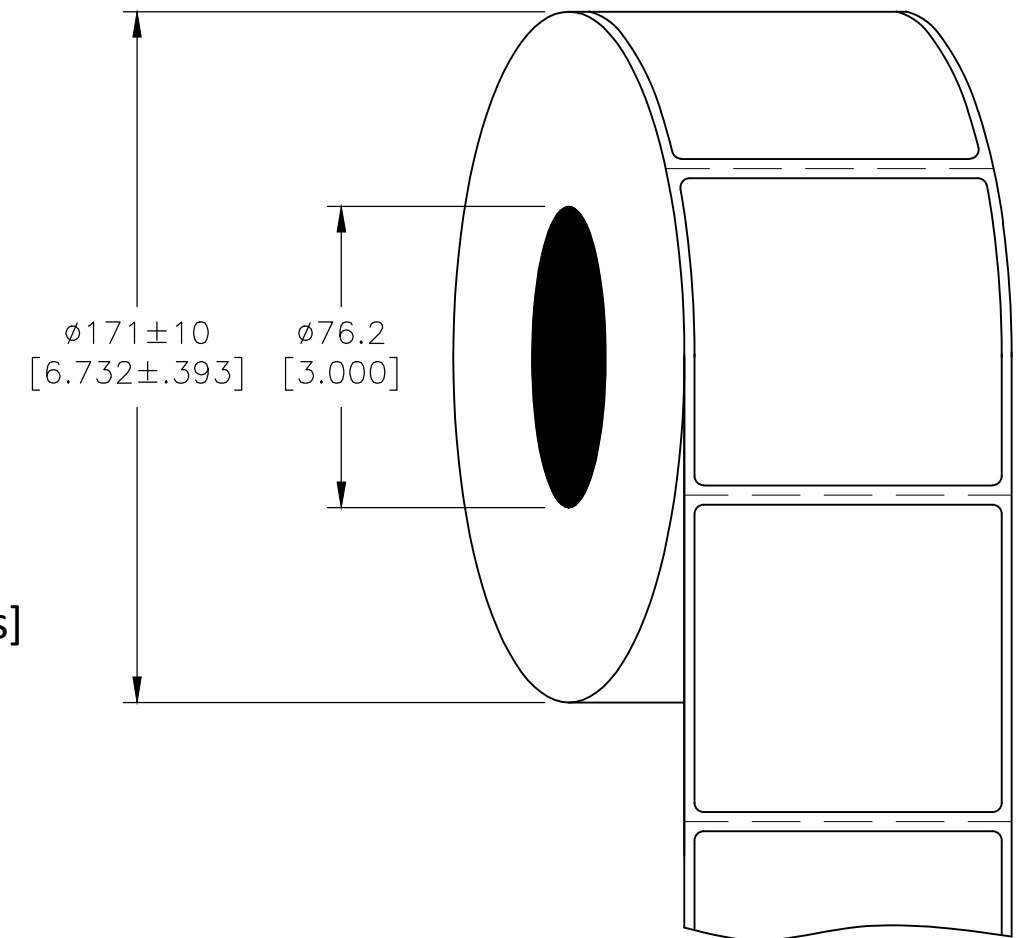


P	LTR	DESCRIPTION	DATE	DWN	APVD
	B	INITIAL RELEASE	21SEP2020	GK	MN

LABEL AND LINER DESIGN



PRESENTATION



All dimensions in mm [Inches]

TE PN: E94125-000

**OUTSIDE WOUND
LABEL ACROSS: 1
PER ROLL QTY: 3000**

MATERIAL	HIGH TACK MATTE METALIZED POLYESTER
ADHESIVE TYPE	PERMANENT ACRYLIC
LINER	GLASSINE PAPER

TOLERANCES mm [INCH]	
LABEL HEIGHT:	± 0.3 [.012]
LABEL WIDTH:	± 0.3 [.012]
WEB WIDTH:	± 0.8 [.031]
VERTICAL REPEAT:	± 0.8 [.031]*
HORIZONTAL REPEAT:	± 0.8 [.031]*
PRINT POSITIONING:	± 0.8 [.031]*
LEFT MARGIN:	± 0.4 [.016]
QUANTITY:	-0 % +2 %
*NON ACCUMULATING	

THIS DRAWING IS A CONTROLLED DOCUMENT.	
DIMENSIONS: mm [INCHES]	TOLERANCES UNLESS OTHERWISE SPECIFIED:
	0 PLC \pm -
	1 PLC \pm -
	2 PLC \pm -
	3 PLC \pm -
	4 PLC \pm -
ANGLES	\pm -
MATERIAL SEE TABLE	FINISH -

DWN	15OCT2020	TE Connectivity	
CHK	15OCT2020		
APVD	15OCT2020		
NAME	HMM - HIGH TACK MATTE METALIZED POLYESTER LABELS		
PRODUCT SPEC	-		
APPLICATION SPEC	-		
SIZE	CAGE CODE	DRAWING NO	RESTRICTED TO
TTDS-118	A3	C2290	C-HMM-508508-3-8A
WEIGHT	0.336g		SCALE
CUSTOMER DRAWING	SCALE		NTS
	SHEET	1 OF 1	REV
			B