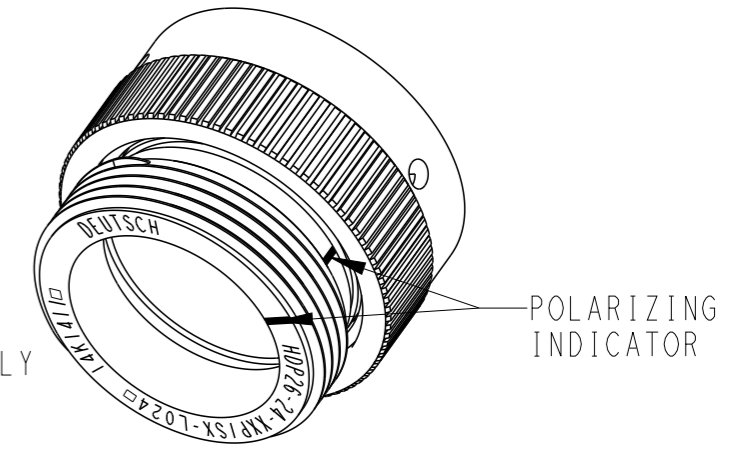
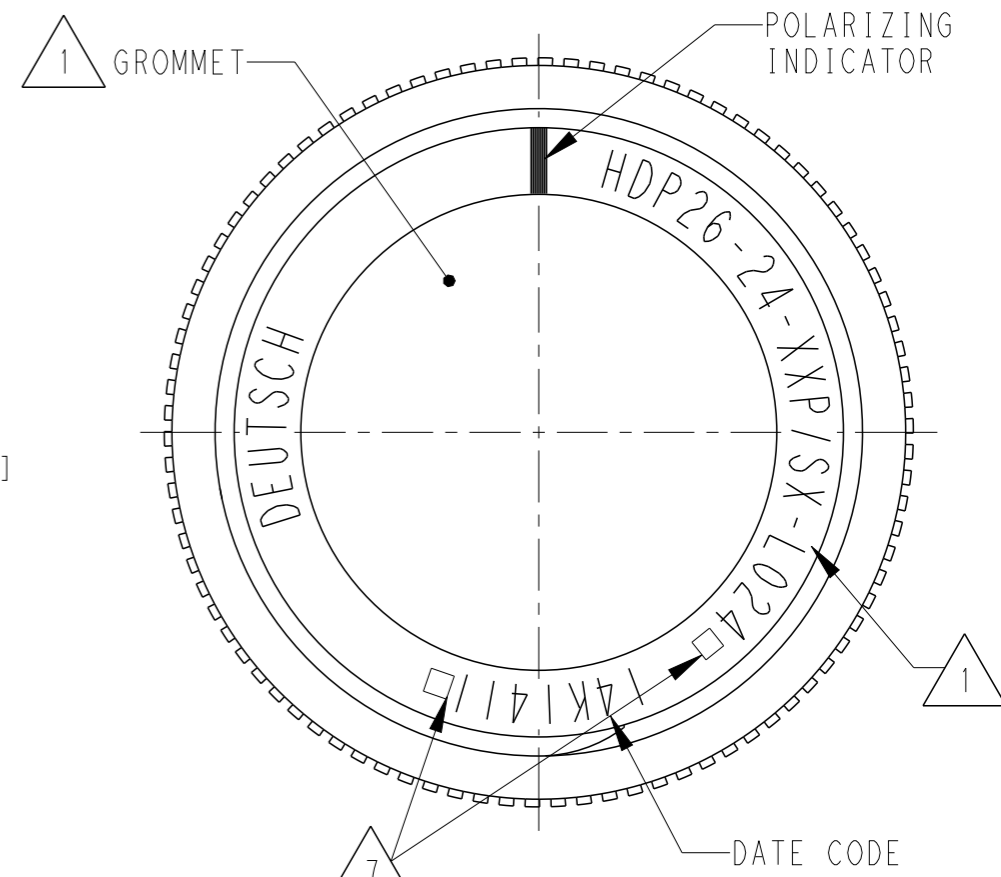
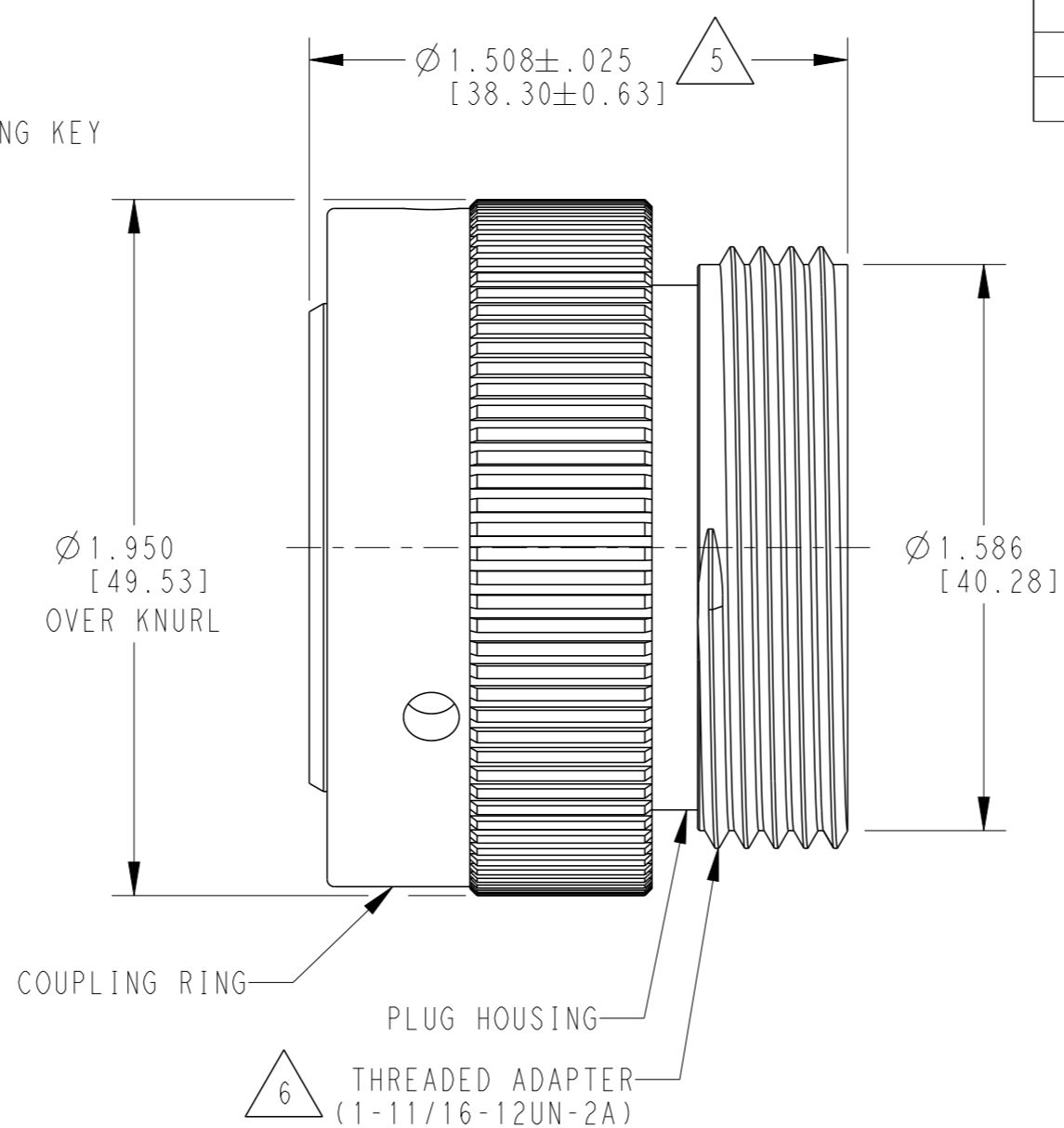
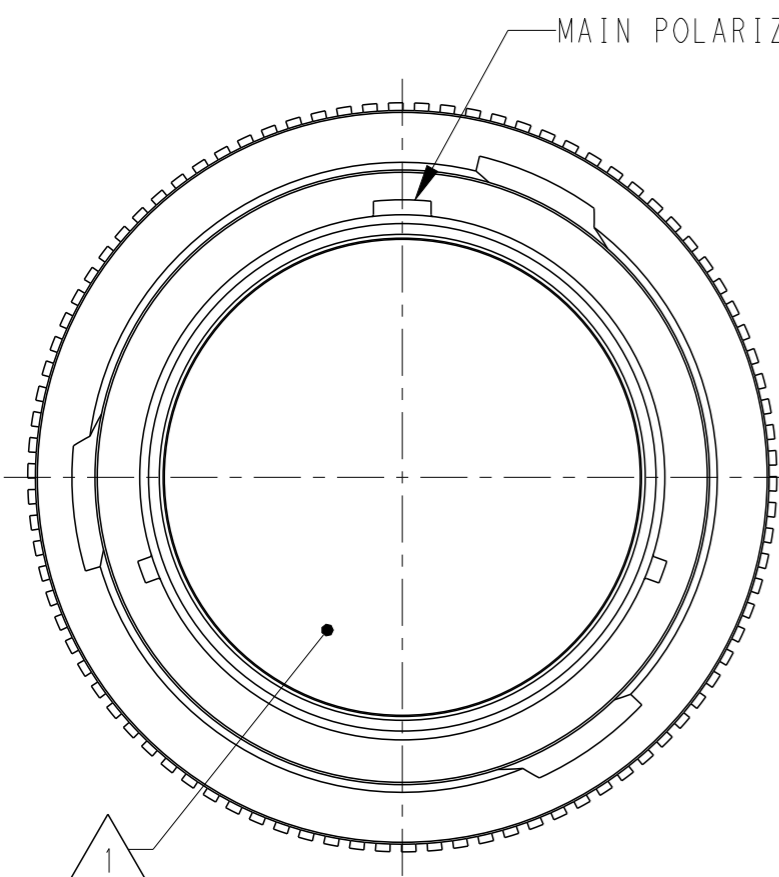


LOC	DIST	REVISIONS			
P	LTR	DESCRIPTION	DATE	DWN	APVD
	NC	NEW RELEASE PER E.O. P21414	24AUG2012	IG	DM
	A	REVISED PER ECO-14-019072	23FEB2015	JA	DM
	A1	REVISED PER PCN-24-213773	02JUL2024	HD	CB
	B	REVISED PER PCN-24-219306	29AUG2024	CO	CB



- 5 NOTED DIMENSION DOES NOT INCLUDE GROMMET PROTRUSION.
- 4 MATERIAL: PLUG HOUSING/COUPLING RING: PA66 GF10 (BLACK)
 THREADED ADAPTER: PA66 GF10 (BLACK)
 GROMMET: SILICONE (GREEN, BLUE, GRAY)

- 3 SEE 0425-021-0000 APPLICATION SPECIFICATION
 A. RECOMMENDED WIRE INSULATION RANGE
 B. CONTACT REMOVAL TOOLS

- 2. THIS PLUG MATES WITH HDP24-24XXP/SX-XXXX RECEPTACLE
 X = SEAL TYPE (N,T,E)
 XX = INSERT ARRANGEMENT
 XXXX = MODIFICATION

- 1 SEE CUSTOMER DRAWING 0425-014-2400 FOR AVAILABLE INSERT ARRANGEMENTS AND PART NUMBERS.

- 7 LOCATIONS FOR TRACEABILITY WITNESS MARKS ONLY
- 6 PART MODIFICATION: THREADED ADAPTER
 ACCEPT BACKSHELL 2428-024-2405

NOTES:

THIS DRAWING IS A CONTROLLED DOCUMENT.		DWN 13JUL2012 ILINA GRANICHAROVA		TE Connectivity	
DIMENSIONS: INCHES[mm]		CHK 23AUG2012 ILINA GRANICHAROVA			
TOLERANCES UNLESS OTHERWISE SPECIFIED:		APVD 24AUG2014 DAVID MEYER		NAME PLUG, COUPLING RING SIZE 24, -L024 MOD HDP SERIES	
0 PLC ± 1 PLC ± 2 PLC ± 3 PLC ±.015 [0.38] 4 PLC ± ANGLES ±0°30'0"		PRODUCT SPEC 0425-021-0000		APPLICATION SPEC 3	
MATERIAL 4		FINISH N/A		WEIGHT	
		Customer Drawing		SCALE 2:1 SHEET 1 OF 1 REV B	