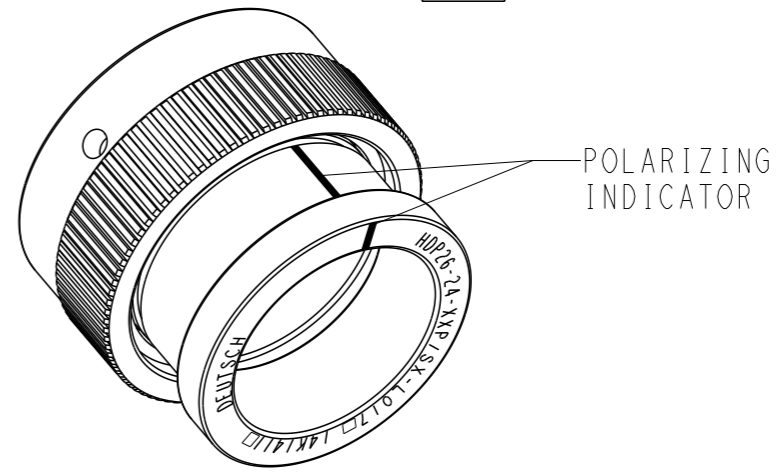
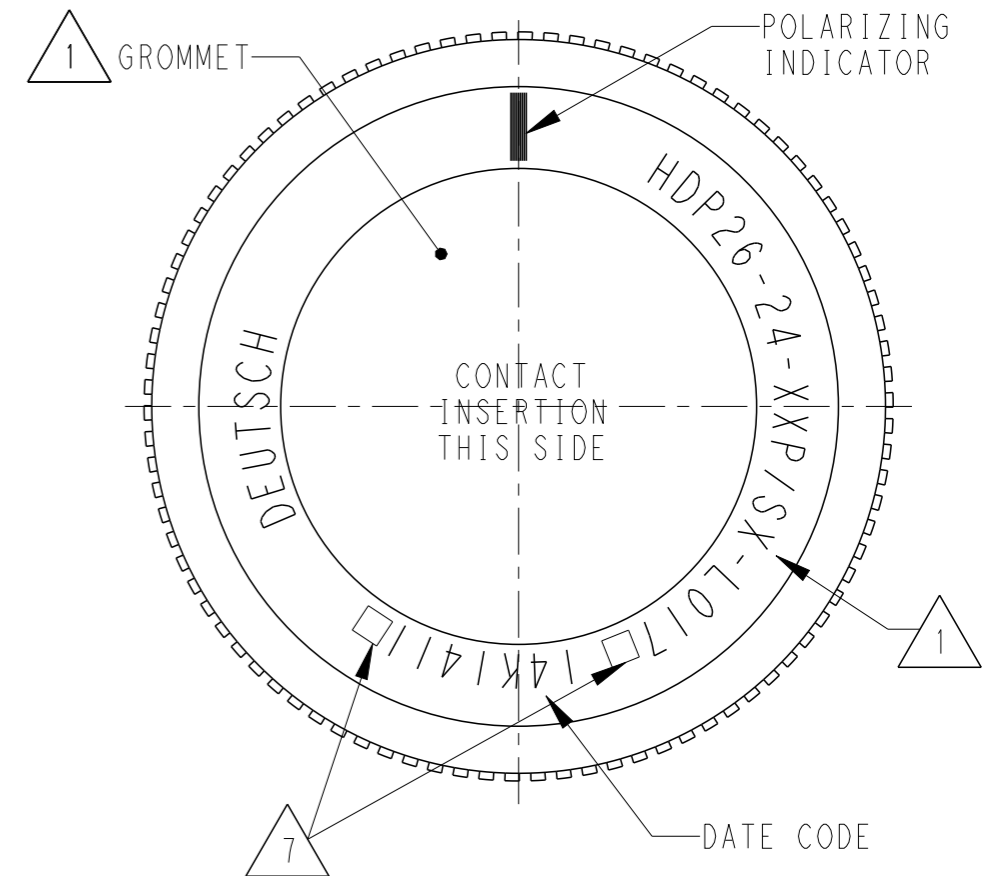
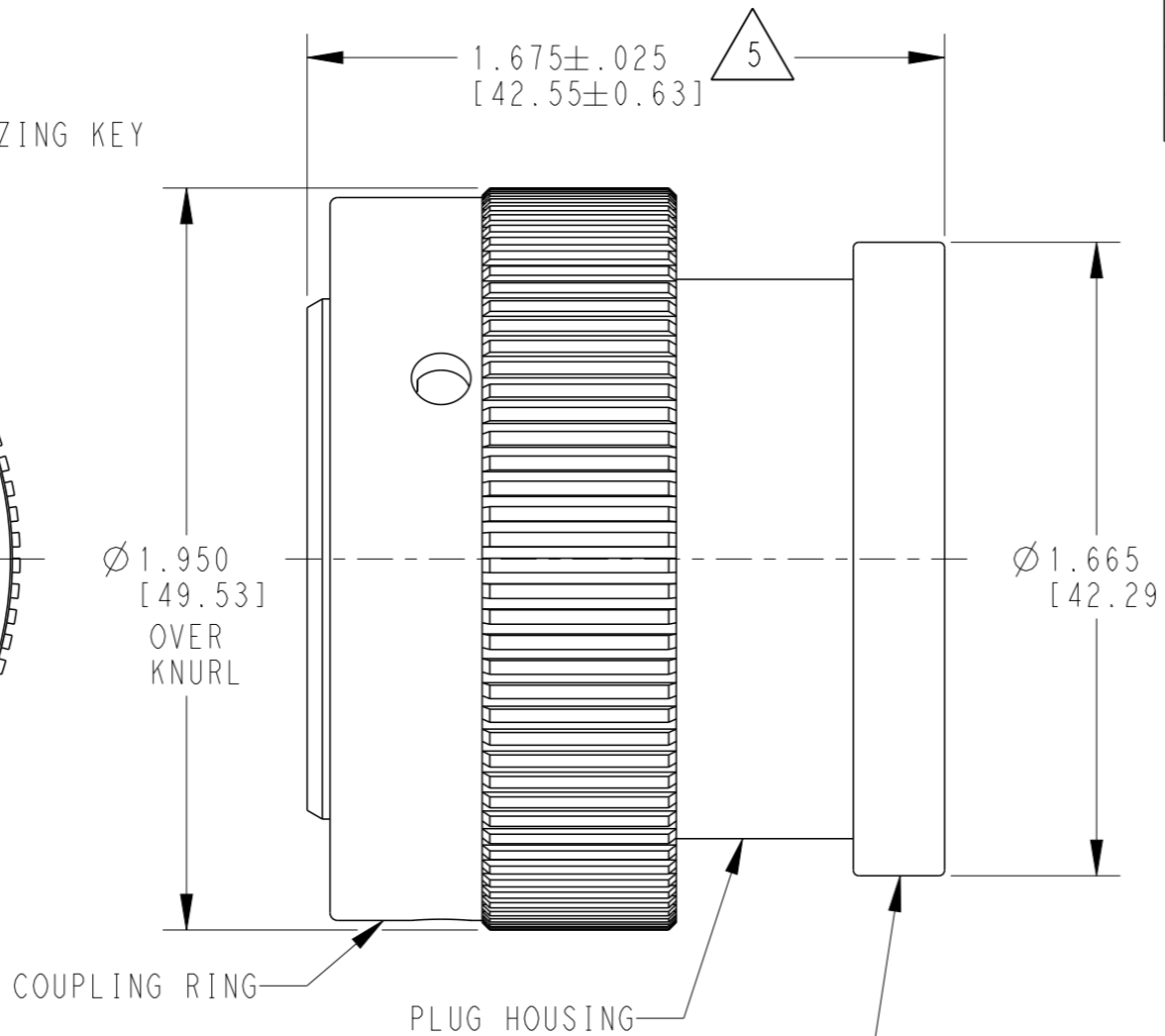
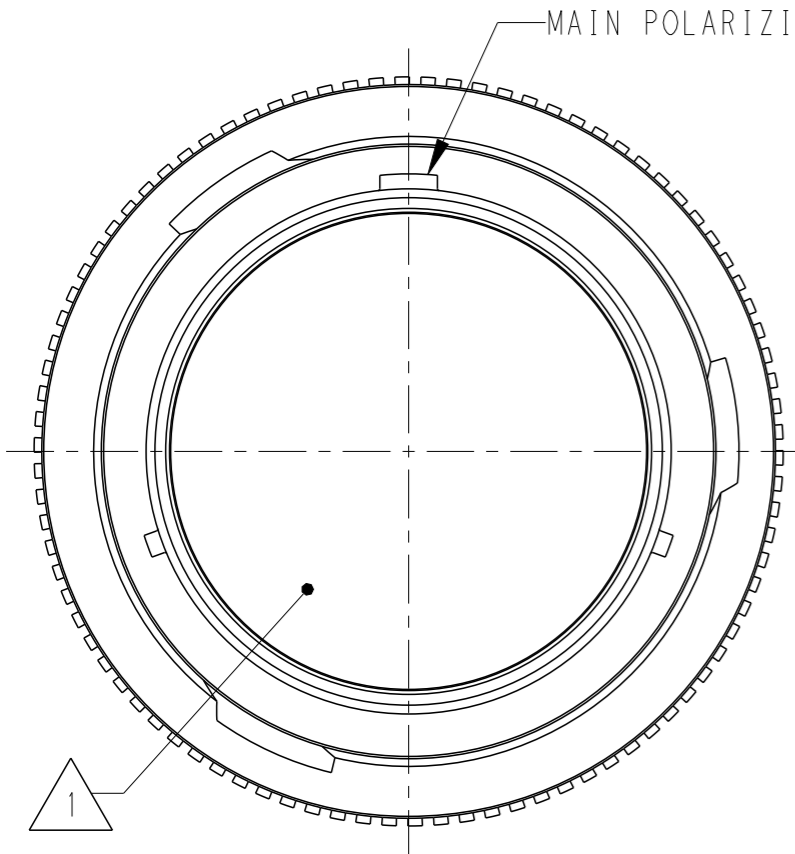


LOC	DIST	REVISIONS			
P	LTR	DESCRIPTION	DATE	DWN	APVD
	B	REVISED PER E.O. P20700	09NOV2010	IG	RDR
	C	REVISED PER ECO-14-019072	23FEB2015	JA	DM
	C1	REVISED PER PCN-24-213773	01JUL2024	HD	CB
	D	REVISED PER PCN-24-219306	29AUG2024	CO	CB



- 7 LOCATIONS FOR TRACEABILITY WITNESS MARK ONLY
- 6 PART MODIFICATION: BACKSHELL ADAPTER ACCEPTS BACKSHELLS:  
2428-004-2405, 2428-008-2405  
2428-010-2405, 2428-011-2405
- 5 NOTED DIMENSION DOES NOT INCLUDE GROMMET PROTRUSION.
- 4 MATERIAL: PLUG HOUSING/COUPLING RING: PA66 GF10 (BLACK)  
BACKSHELL ADAPTER: PA66 GF10 (BLACK)  
GROMMET: SILICONE (GREEN, BLUE, GRAY)
- 3 SEE 0425-021-0000 APPLICATION SPECIFICATION  
A. RECOMMENDED WIRE INSULATION RANGE  
B. CONTACT REMOVAL TOOLS
- 2. THIS PLUG MATES WITH HDP24-24XXP/SX-XXXX RECEPTACLE  
X = SEAL TYPE (N,T,E)  
XX = INSERT ARRANGEMENT  
XXXX = MODIFICATION
- 1 SEE CUSTOMER DRAWING 0425-014-2400 FOR AVAILABLE INSERT ARRANGEMENTS AND PART NUMBERS.

THIS DRAWING IS A CONTROLLED DOCUMENT.		DWN R. OCHOA 24MAR1999	 TE Connectivity			
DIMENSIONS: INCHES [mm]		CHK BRICE BYFORD 09NOV2010				
TOLERANCES UNLESS OTHERWISE SPECIFIED:		APVD STEVE BEARD 08NOV2010	NAME PLUG, COUPLING RING SIZE 24, -L017 MOD HDP SERIES			
0 PLC ± 1 PLC ± 2 PLC ± 3 PLC ±.015 [0.38] 4 PLC ± ANGLES ±0°30'0"		PRODUCT SPEC 0425-021-0000	SIZE A3	CAGE CODE 4AFU8	DRAWING NO. HDP26-24-XXP/SX-L017	RESTRICTED TO
MATERIAL 4		FINISH N/A	SCALE 2:1		SHEET 1 OF 1	REV D
		WEIGHT	Customer Drawing			