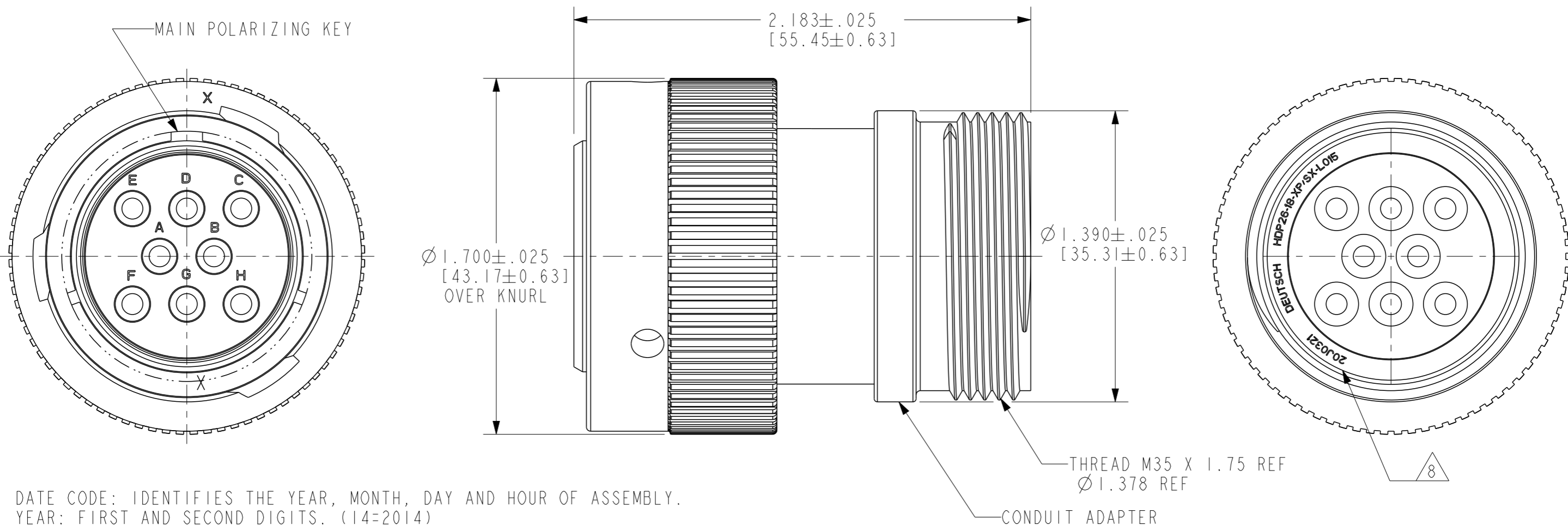
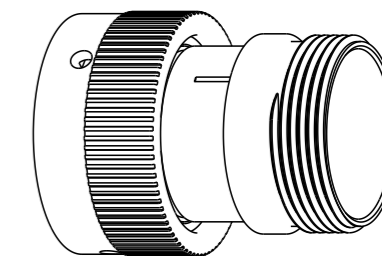


P	LTR	DESCRIPTION	DATE	DWN	APVD
A		REVISED PER E.O. P20028	17NOV2008	-	RDR
B		REVISED PER E.O. P20191	31MAR2009	-	RDR
BI		REVISED PER PCN E-20-013840	18SEP2020	MK	IG
C		REVISED PER PCN-24-219306	29AUG2024	CO	CB



8 DATE CODE: IDENTIFIES THE YEAR, MONTH, DAY AND HOUR OF ASSEMBLY.  
 YEAR: FIRST AND SECOND DIGITS. (14=2014)  
 MONTH: THIRD DIGIT, EXCLUDING I.A=JAN., B=FEB., C=MARCH... (K=OCT.)  
 DAY: FOURTH AND FIFTH DIGIT (14=14th DAY)  
 HOUR: SIXTH AND SEVENTH DIGIT (11=11AM)

- 7. 18-8 ARRANGEMENT SHOWN FOR REFERENCE ONLY.
- 6. FOR PERFORMANCE AND APPLICATION CHARACTERISTICS SEE ENVELOPE DRAWING 0425-021-0000.
- 5. PART NUMBER INFO: \*\*=ARRANGEMENT; \*=SEAL TYPE.
- 4. THIS PLUG MATES WITH HDP24-18-\*\*\*P/S\*-\*\*\*\*\* (\*\*\*\*\*=ALL MODIFICATIONS)
- 3. FOR CONTACTS AND WIRES PERFORMANCE AND APPLICATION CHARACTERISTICS SEE ENVELOPE DWG. 0425-015-0000.
- 2. SILICONE GROMMET COLOR REFLECTS WIRE SEAL DIAMETER. (GREEN='N' SEAL; GREY='T' SEAL; BLUE='E' SEAL)
- 1. FOR ARRANGEMENTS SEE ENVELOPE DRAWING 0425-013-1800.



3D VIEW

THIS DRAWING IS A CONTROLLED DOCUMENT.		DWN 12SEP2007 I. GRANTCHAROVA					
DIMENSIONS: INCH [MM]		CHK 31MAR2009 R. MESSENGER					
TOLERANCES UNLESS OTHERWISE SPECIFIED:		APVD 31MAR2009 S. BEARD	NAME PLASTIC PLUG CONNECTOR BAYONET COUPLING HDP SERIES SIZE 18 -L015 MOD				
0 PLC ±- 1 PLC ±- 2 PLC ±- 3 PLC ±.025 4 PLC ±- ANGLES ±-		PRODUCT SPEC 108-151015	SIZE A3	CAGE CODE 00779	DRAWING NO HDP26-18-XXPSX-L015	RESTRICTED TO -	
MATERIAL -		FINISH -	APPLICATION SPEC 114-151015	WEIGHT 187.7 g	SCALE 1.000	SHEET 1 OF 1	REV C
		CUSTOMER DRAWING					