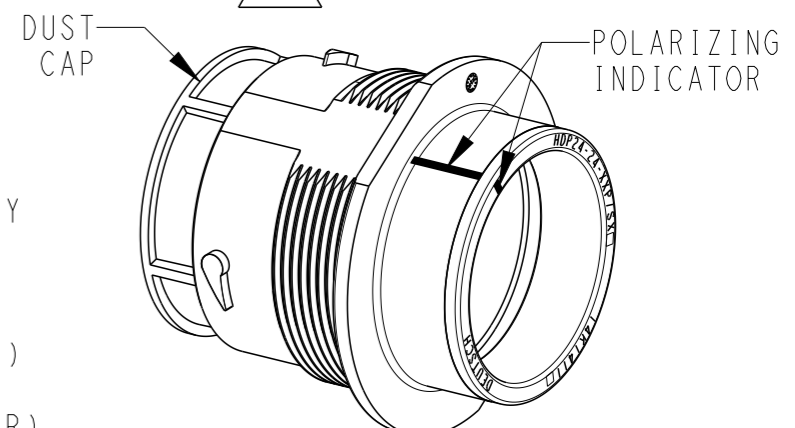
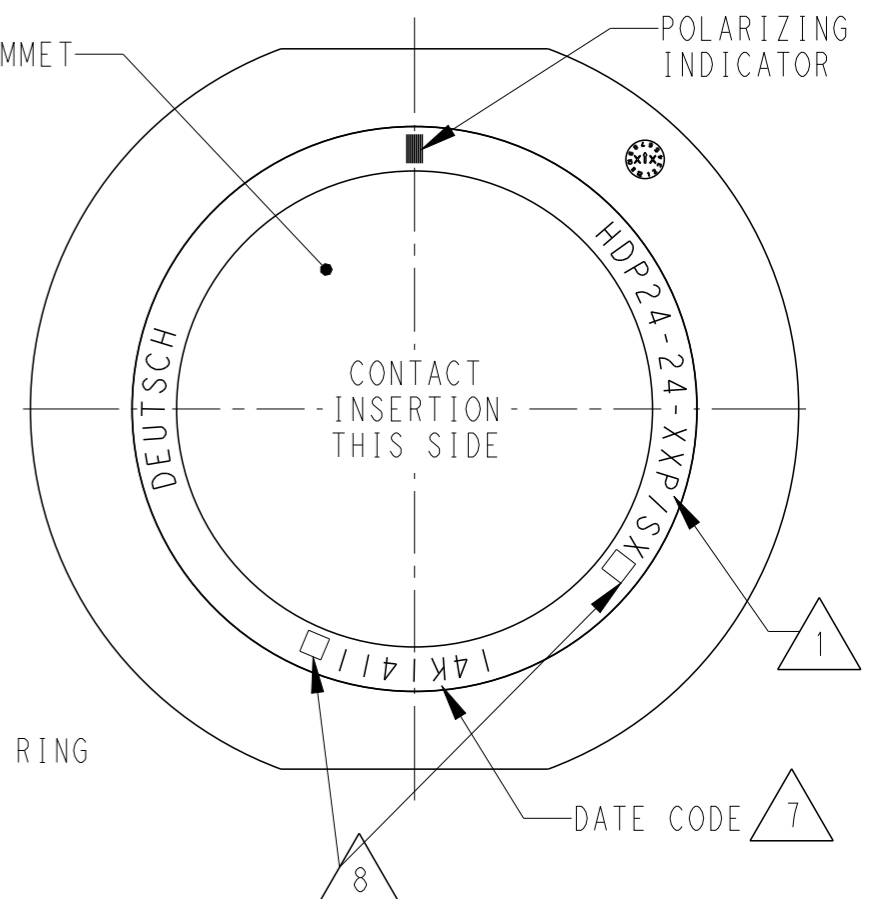
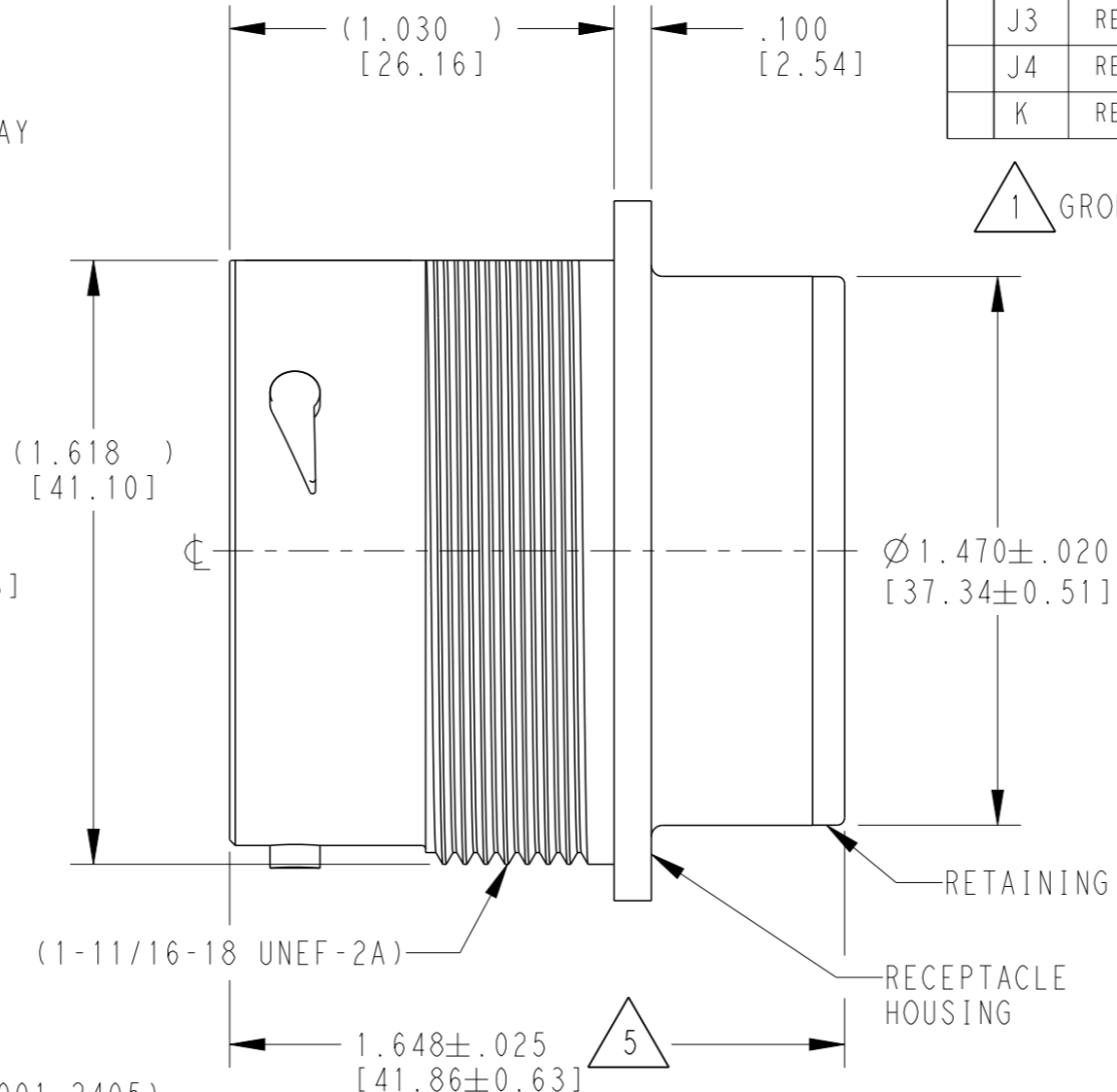
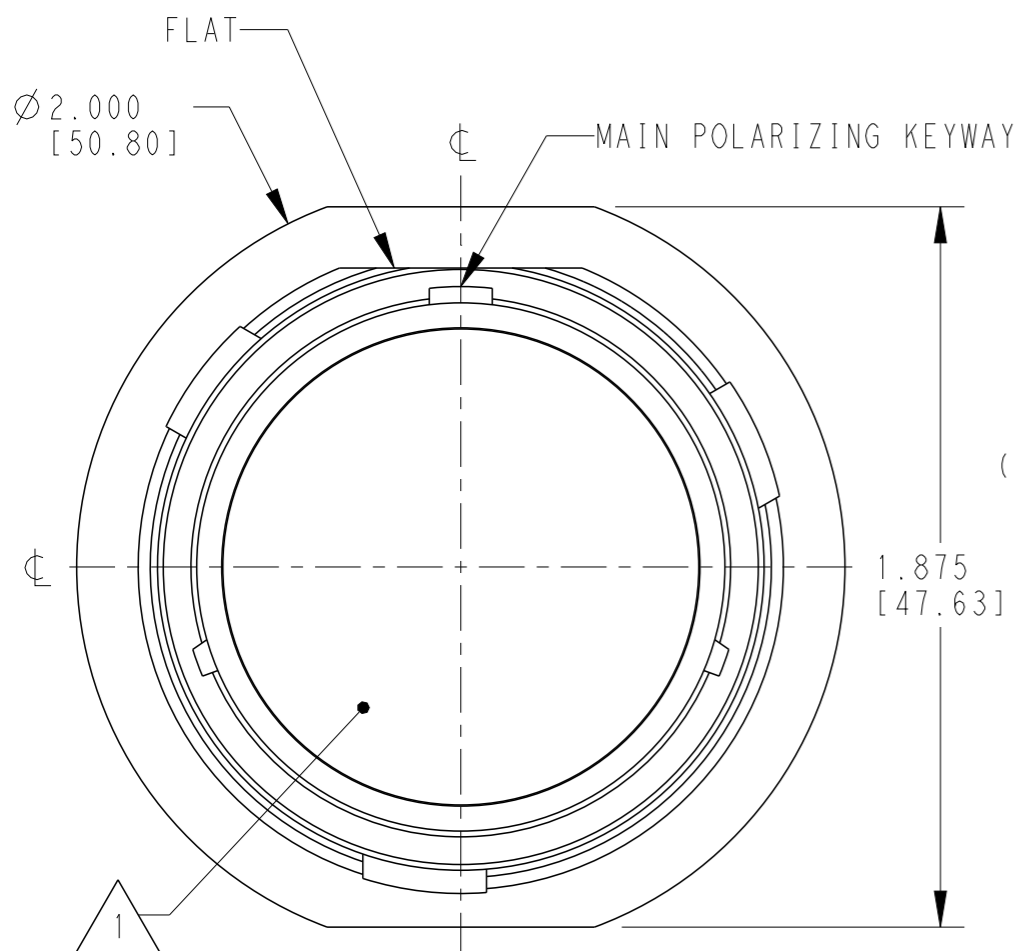


LOC	DIST	REVISIONS			
P	LTR	DESCRIPTION	DATE	DWN	APVD
	J2	REVISED PER PCN E-18-015727	03OCT2018	JA	DM
	J3	REVISED PER PCN-24-200566	19FEB2024	CO	CB
	J4	REVISED PER PCN-24-213773	02JUL2024	HD	CB
	K	REVISED PER PCN-24-219306	29AUG2024	CO	CB



6. RECEPTACLE IS SUPPLIED WITH DUST CAP (2415-001-2405).

5 NOTED DIMENSION DOES NOT INCLUDE GROMMET PROTRUSION.

4 MATERIAL: RECEPTACLE HOUSING: PA66 GF10 (BLACK)
 RETAINER RING: PA66 GF10 (BLACK)
 GROMMET: SILICONE (GREEN, BLUE, GRAY)

3 SEE 0425-021-0000 APPLICATION SPECIFICATION
 A. RECOMMENDED WIRE INSULATION RANGE
 B. CONTACT REMOVAL TOOLS
 C. RECOMMENDED MOUNTING HOLE & PANEL THICKNESS
 D. MOUNTING HARDWARE & MOUNTING TORQUE.

2. THIS RECEPTACLE MATES WITH HDP26-24-XXP/SX-XXXX PLUG
 X = SEAL TYPE (N,T,E)
 XX = INSERT ARRANGEMENT
 XXXX = MODIFICATION

1 SEE CUSTOMER DRAWING, 0425-014-2400 FOR AVAILABLE INSERT ARRANGEMENTS AND PART NUMBERS.

8 LOCATIONS FOR TRACEABILITY WITNESS MARKS ONLY
 7 DATE CODE: IDENTIFIES THE YEAR, MONTH, DAY AND HOUR OF ASSEMBLY.
 YEAR: FIRST AND SECOND DIGITS. (14 = 2014)
 MONTH: THRID DIGIT, EXCLUDING I. A = JAN., B = FEB., C = MARCH... (K = OCTOBER)
 DAY: FOURTH AND FIFTH DIGITS (14 = 14th DAY)
 HOUR: SIXTH AND SEVENTH DIGITS (11 = 11AM)

SCALE 1:1

NOTES:

THIS DRAWING IS A CONTROLLED DOCUMENT.		DWN	03MAR2000		TE Connectivity
		CHK	04FEB2004		
		APVD	16JAN2004		
		NAME	STEVE BEARD		
DIMENSIONS: INCHES [mm]		PRODUCT SPEC	0425-021-0000		NAME
TOLERANCES UNLESS OTHERWISE SPECIFIED:		APPLICATION SPEC	3		RECEPTACLE, THREADED
0 PLC ±		WEIGHT			SIZE
1 PLC ±		Customer Drawing			CAGE CODE
2 PLC ±		SCALE 2:1			DRAWING NO
3 PLC ±.015 [0.38]		SHEET 1 OF 1			RESTRICTED TO
4 PLC ±		REV K			
ANGLES ±0°30'0"					
FINISH N/A					