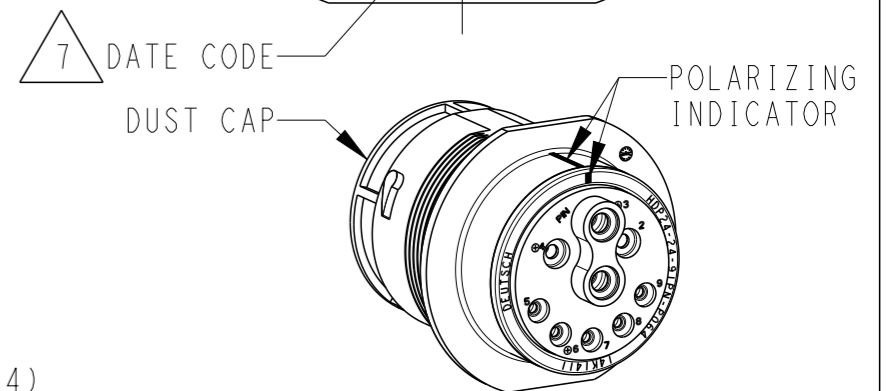
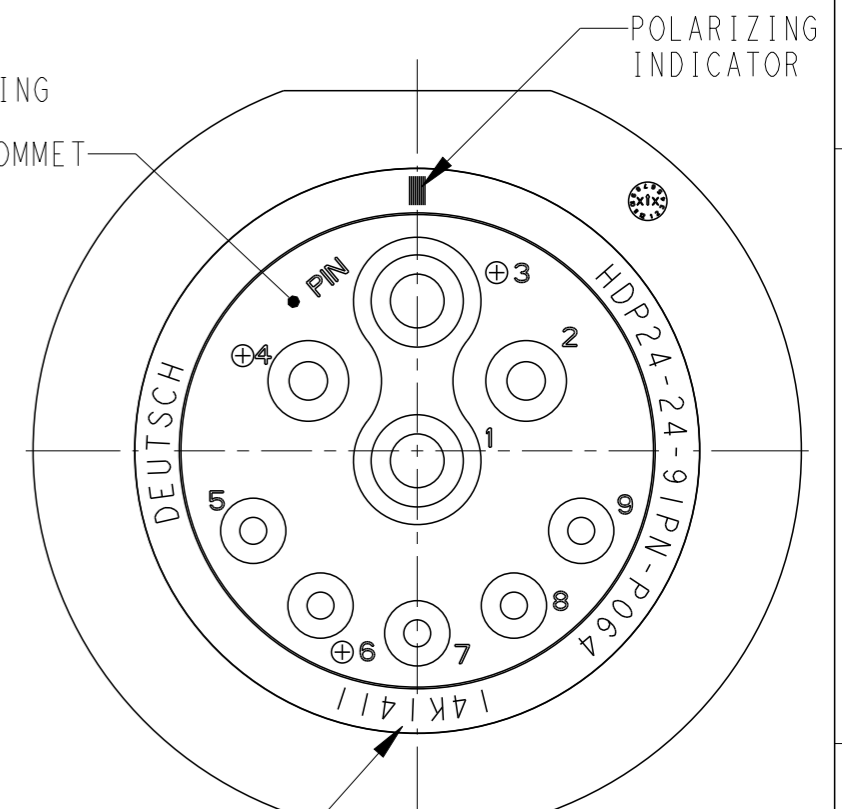
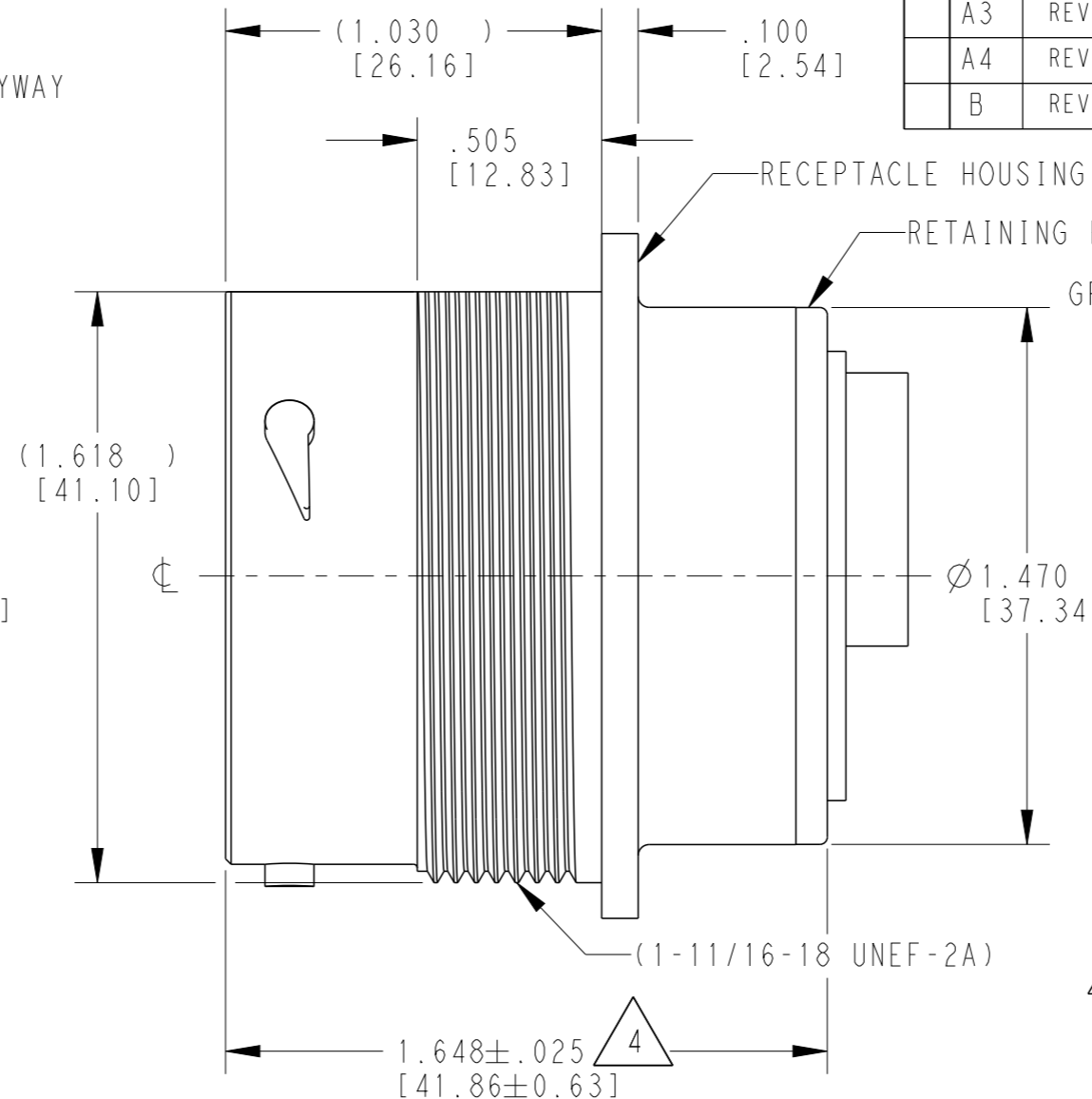
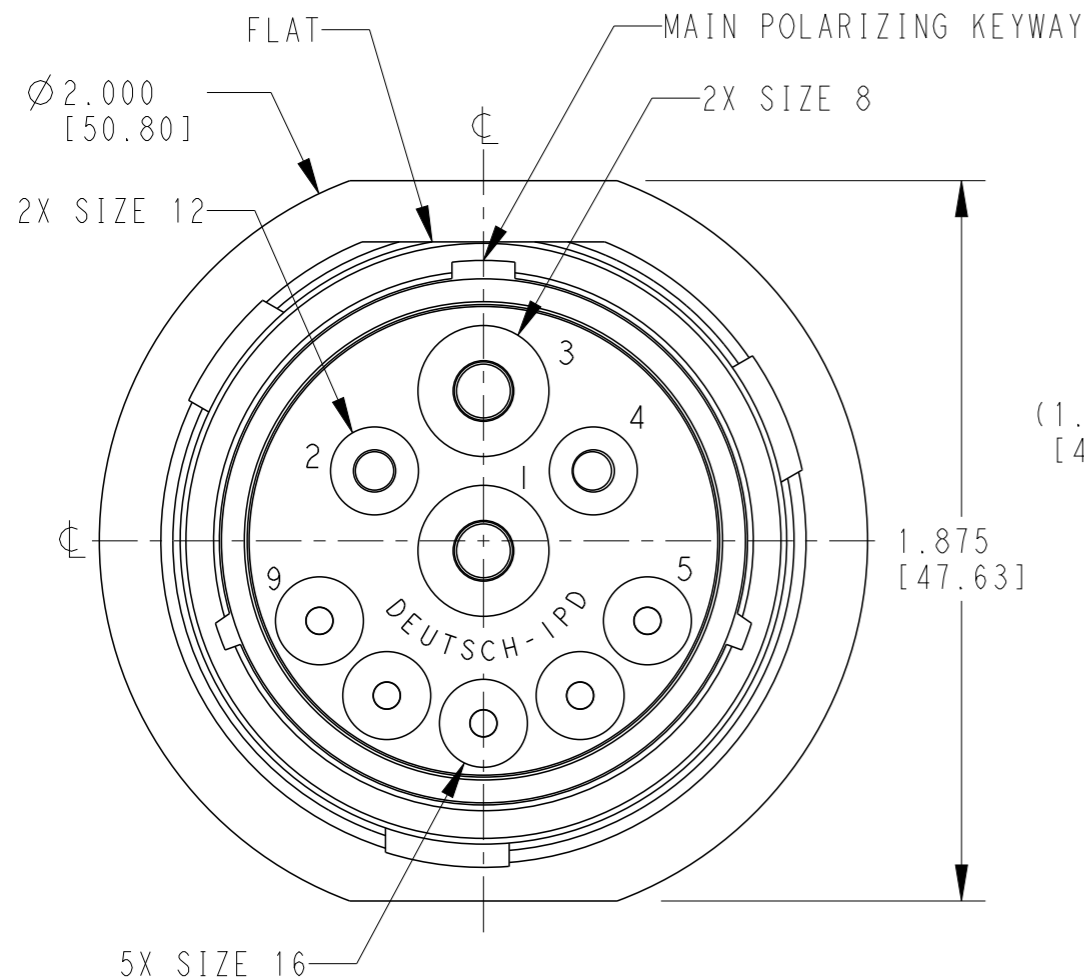


P	LTR	DESCRIPTION	DATE	DWN	APVD
A2		REVISED PER PCN E-16-012386	01MAR2017	DD	DM
A3		REVISED PER PCN E-21-00000055	13JAN2021	CO	IG
A4		REVISED PER PCN-24-200566	27FEB2024	CO	CB
B		REVISED PER PCN-24-219306	29AUG2024	CO	CB



SCALE 3:4

TE INTERNAL PN	DEUTSCH PN
HDP24-24-91PN-P064	HDP24-24-91PN-P064
2301337-1	HDP24-24-91PE-P064

6. PART MODIFICATION:  
ELIMINATES JUMPER SEAL PLUG AND CONTACT

5. RECEPTACLE IS SUPPLIED WITH DUST CAP (2415-001-2405).

4 NOTED DIMENSION DOES NOT INCLUDE GROMMET PROTRUSION.

3 MATERIAL: RECEPTACLE HOUSING: PA66 GF10 (BLACK)  
RETAINING RING: PA66 GF10 (BLACK)  
GROMMET: SILICONE (GREEN, BLUE, GRAY)

2 SEE 0425-021-0000 APPLICATION SPECIFICATION  
A. RECOMMENDED WIRE INSULATION RANGE  
B. CONTACT REMOVAL TOOLS  
C. RECOMMENDED MOUNTING HOLE & PANEL THICKNESS  
D. MOUNTING HARDWARE & MOUNTING TORQUE

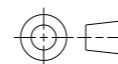
1. THIS RECEPTACLE MATES WITH HDP26-24-91SX-XXXX PLUG  
X = SEAL TYPE (N,T,E)  
XXXX = ALL MODIFICATIONS

NOTES:

7 DATE CODE: IDENTIFIES THE YEAR, MONTH, DAY AND HOUR OF ASSEMBLY.  
YEAR: FIRST AND SECOND DIGITS. (14 = 2014)  
MONTH: THRID DIGIT, EXCLUDING I. A = JAN., B = FEB., C = MARCH... (K = OCTOBER)  
DAY: FOURTH AND FIFTH DIGITS (14 = 14th DAY)  
HOUR: SIXTH AND SEVENTH DIGITS (11 = 11AM)

THIS DRAWING IS A CONTROLLED DOCUMENT.

DIMENSIONS:  
INCHES [mm]



MATERIAL



TOLERANCES UNLESS OTHERWISE SPECIFIED:

0 PLC	±
1 PLC	±
2 PLC	±
3 PLC	±.015 [0.38]
4 PLC	±
ANGLES	±0°30'0"

FINISH  
N/A

DWN 23FEB2010

ALDO MALAGON

CHK 26FEB2010

BRICE BYFORD

APVD 26FEB2010

STEVE BEARD

PRODUCT SPEC

0425-021-0000

APPLICATION SPEC

WEIGHT 56.56 g

CUSTOMER DRAWING

NAME  
RECEPTACLE, THREADED  
SIZE 24  
HDP SERIES

SIZE A3 CAGE CODE 4AFU8 DRAWING NO. HDP24-24-91PX-P064 RESTRICTED TO -

SCALE 2:1 SHEET 1 OF 1 REV B

**TE** TE Connectivity