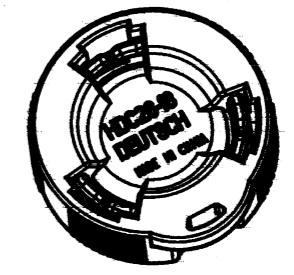
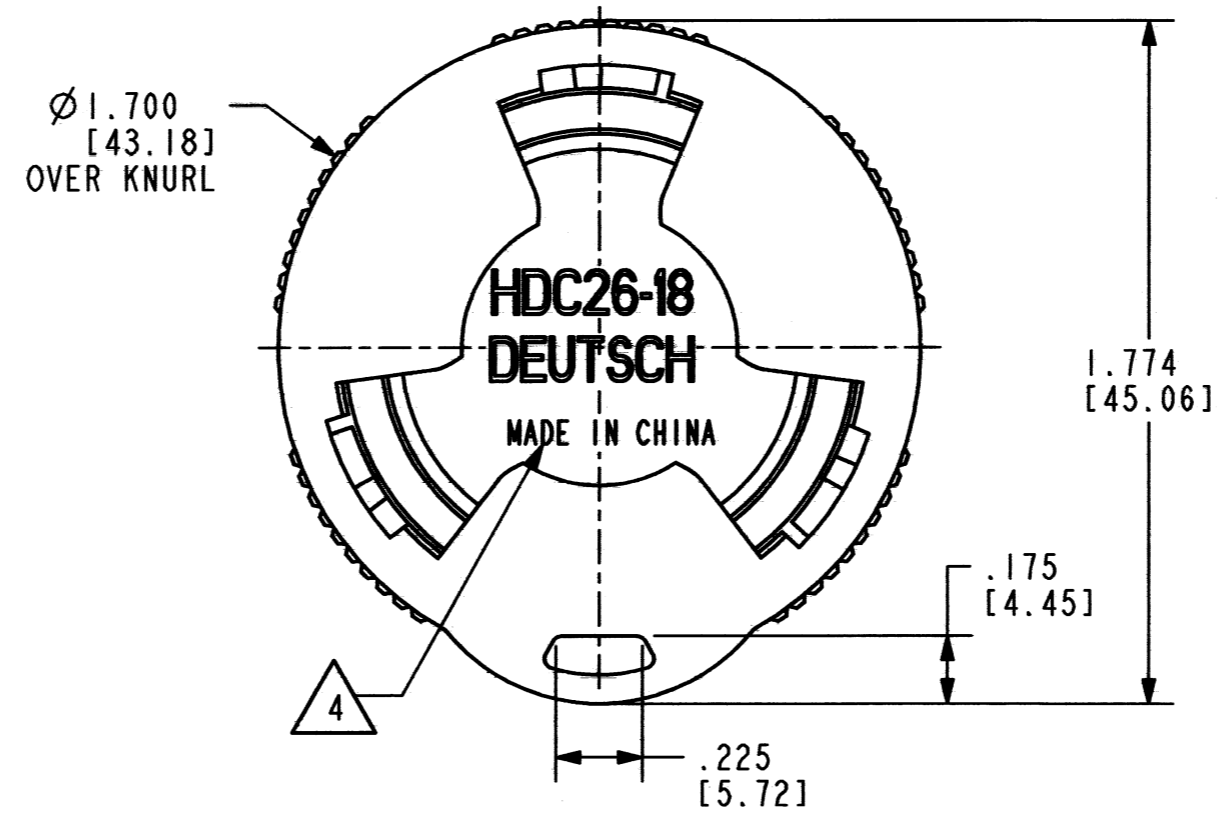
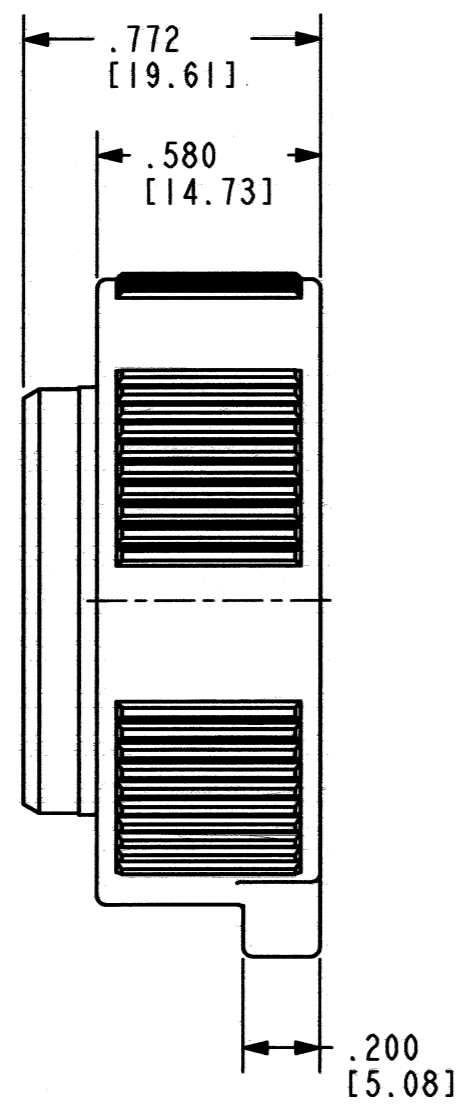


REV A	HDC26-18	REVISIONS			
		SYM	DESCRIPTION	DATE	APPROVED
		NC	NEW RELEASE PER E.O. P21248	2-17-12	R.D.R.
		A	REVISED PER E.O. P21505	11/14/12	DYM



**3D VIEW**

4 COUNTRY OF ORIGIN IF OTHER THAN USA  
EXAMPLE: MADE IN CHINA

3. MATERIAL: PLASTIC; COLOR: BLACK

2. DIMENSION TOLERANCE: ±.025 [.63]

NOTES: 1. ALL DIMENSIONS ARE IN INCHES [mm]

SIGNATURE & DATE	
DR	I. GRANTCHAROVA 02/06/12
CHK	<i>[Signature]</i> 11/13/12
PE	<i>[Signature]</i> 11/13/12
APPD	D. Meyer 11/14/12
SCALE	NONE FWT

**PROTECTIVE CAP  
FOR SIZE 18  
RECEPTACLES  
HD SERIES**

**ENVELOPE**

EP	MATL. CODE
3850 INDUSTRIAL AVE. HEMET, CA 92545	
<b>B</b>	<b>HDC26-18</b>
DWG SIZE	CODE 11139 SHEET   OF

