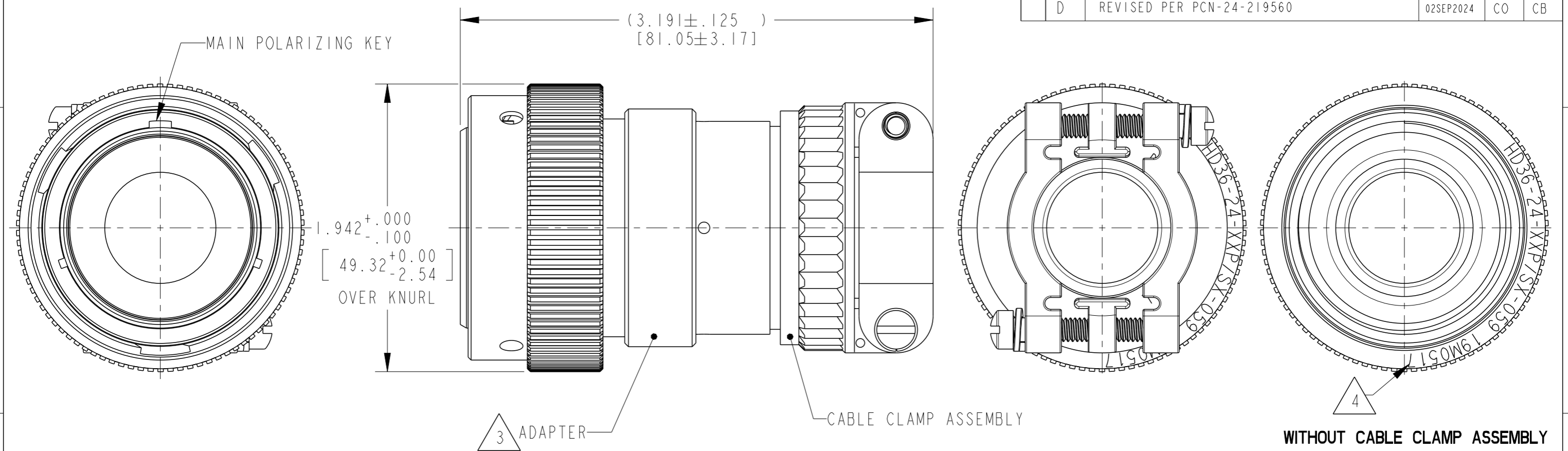


THIS DRAWING IS UNPUBLISHED
 RELEASED FOR PUBLICATION 2015
 © COPYRIGHT 2015 BY TE CONNECTIVITY ALL RIGHTS RESERVED.

LOC		DIST		REVISIONS			
P	LTR	DESCRIPTION	DATE	DWN	APVD		
	C1	REVISED PER ECO-15-001798	19MAR2015	PV	RDR		
	C2	REVISED PER PCN-19-015890	11OCT2019	AP	IG		
	C3	REVISED PER PCN E-20-000705	27JAN2020	PK	DM		
	D	REVISED PER PCN-24-219560	02SEP2024	CO	CB		



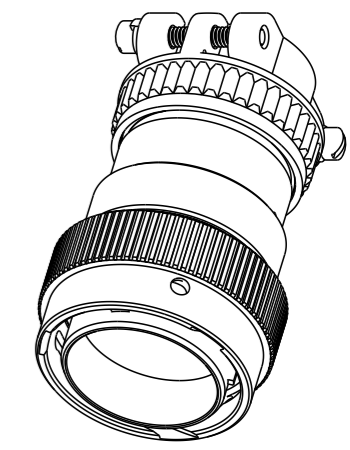
4 DATE CODE: IDENTIFIES THE YEAR, MONTH, DAY AND HOUR OF ASSEMBLY.
 YEAR: FIRST AND SECOND DIGITS. (14=2014)
 MONTH: THIRD DIGIT, EXCLUDING I. A=JAN., B=FEB., C=MARCH... (K=OCT.)
 DAY: FOURTH AND FIFTH DIGITS (14=14th DAY)
 HOUR: SIXTH AND SEVENTH DIGITS (11=11AM)

3 MATERIAL:
 ADAPTER: 6061-T6 ALUMINIUM ALLOY,
 GROMMET: SILICONE VMQ (GREEN, BLUE, GRAY),
 RETAINER RING: PA66 GF10 (BLACK).

2. THE CONNECTOR MATES WITH HD34-24-XXS/PX-XXXX
 X = SEAL DESIGNATION, XX = NUMBER OF CAVITIES,
 XXXX = MODIFICATION DESIGNATION.

1. SEE DRAWING 0425-014-2400 FOR ARRANGEMENT OF CONTACT LOCATION

NOTES:



3D VIEW

THIS DRAWING IS A CONTROLLED DOCUMENT.		DWN X. SANCHEZ 17APR2003		
DIMENSIONS: INCHES [mm]		CHK J. APOSTOL 13MAY2003		
TOLERANCES UNLESS OTHERWISE SPECIFIED:		APVD R. REED 16MAY2003	NAME	
0 PLC ±- 1 PLC ±- 2 PLC ±- 3 PLC ±.010 [±.254] 4 PLC ±- ANGLES ±0° 30' 0"		PRODUCT SPEC 108-151014	PLUG CONNECTOR, SHELL SIZE 24 BAYONET COUPLING, MOD -059 HD30 SERIES	
MATERIAL 3		FINISH -	APPLICATION SPEC 114-151014	RESTRICTED TO
		WEIGHT 144g	SIZE A3	CAGE CODE -
		Customer Drawing	DRAWING NO. C=HD36-24-XXP/SX-059	SCALE NONE
			SHEET 1 OF 1	REV D