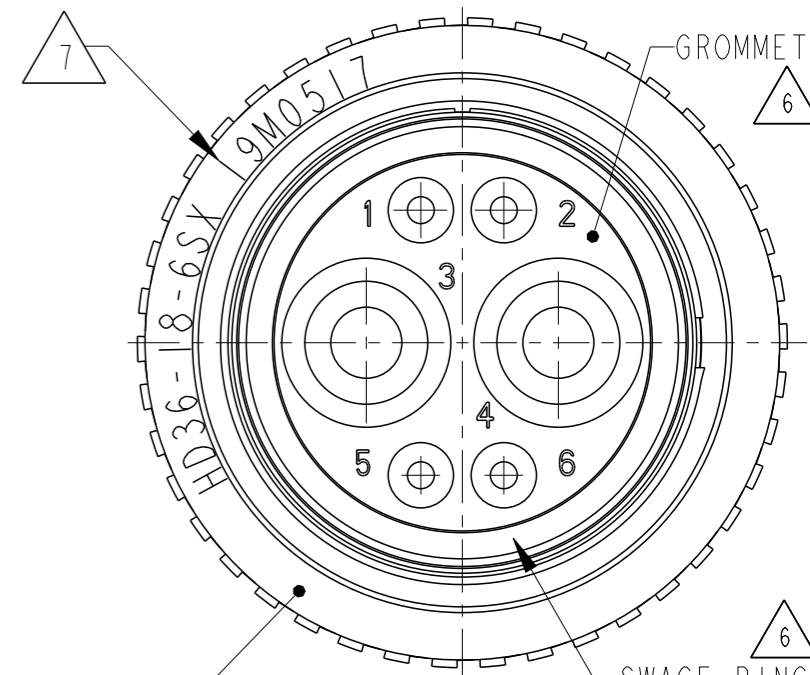
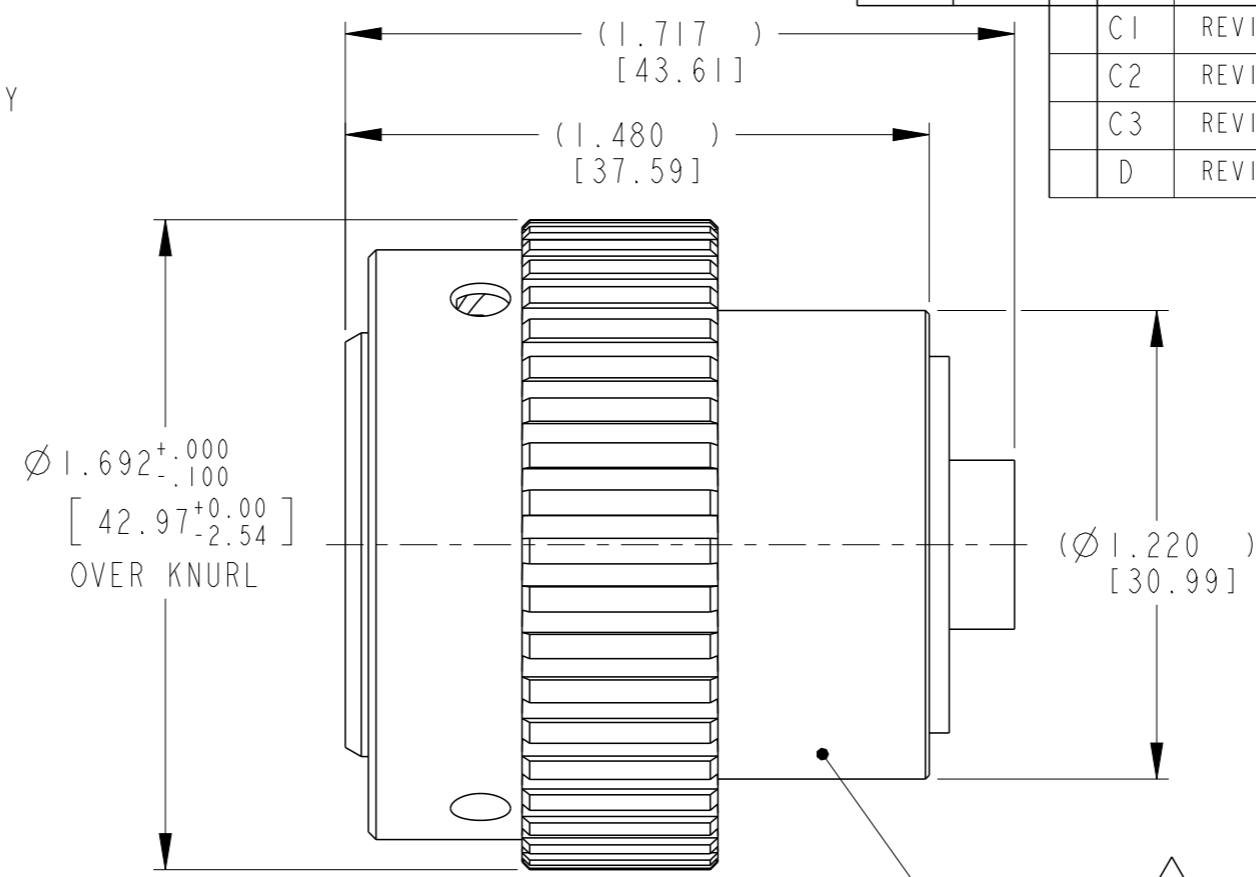
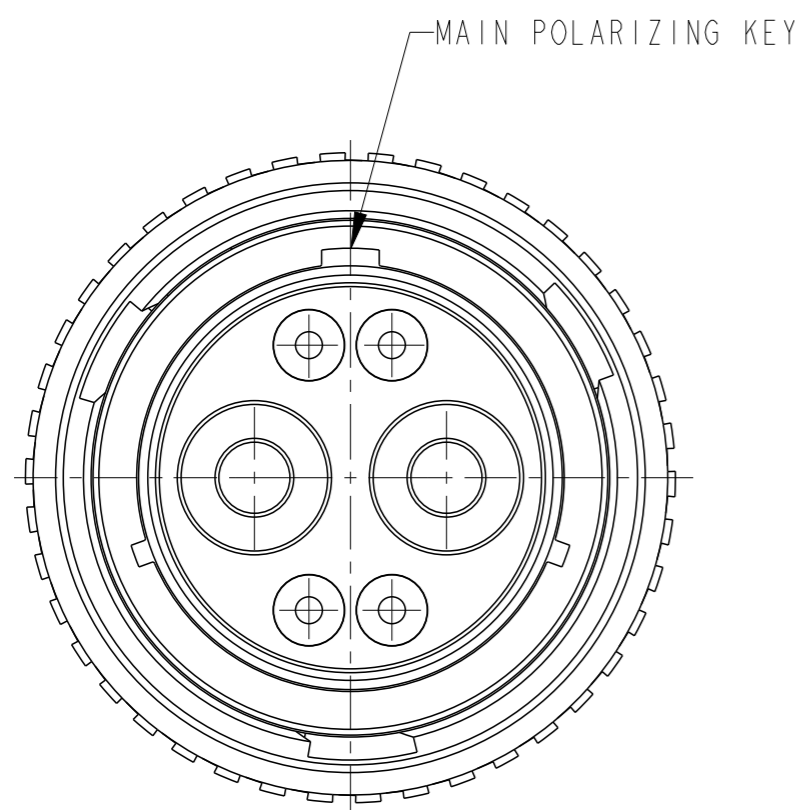


LOC	DIST	REVISIONS			
P	LTR	DESCRIPTION	DATE	DWN	APVD
-	-	C1	REVISED PER ECO-15-001798	19MAR2015	VNB DM
-	-	C2	REVISED PER PCN E-20-000705	27JAN2020	PK DM
-	-	C3	REVISED PER PCN E-20-017587	10MAR2021	CO IG
-	-	D	REVISED PER PCN-24-219560	30AUG2024	CO CB



4. WHEN X = N: NORMAL SEAL  
 WHEN X = E: REDUCED DIAMETER E-SEAL

- 3. THIS CONNECTOR MATES WITH PART NO. HD34-18-6PX-XXXX  
 XXXX= ALL MODIFICATION, X= TYPE OF SEAL.
- 2. THIS CONNECTOR WILL ACCOMMODATE THE FOLLOWING WIRE INSULATION DIAMETERS:

4 SEAL TYPE	CONTACT SIZE	MIN INSULATION O.D.	MAX INSULATION O.D.	5 WIRE GAUGE AWG [mm <sup>2</sup> ] RANGE
N	16	.100 [2.54]	.134 [3.40]	14-20 [2.0-0.5mm <sup>2</sup> ]
E	16	.053 [1.35]	.120 [3.05]	14-20 [2.0-0.5mm <sup>2</sup> ]
N or E	4	.261 [6.63]	.292 [7.42]	6 [13mm <sup>2</sup> ]


7. DATE CODE: IDENTIFIES THE YEAR, MONTH, DAY AND HOUR OF ASSEMBLY.  
 YEAR: FIRST AND SECOND DIGITS. (14=2014)  
 MONTH: THIRD DIGIT, EXCLUDING I. A=JAN., B=FEB., C=MARCH... (K=OCT.)  
 DAY: FOURTH AND FIFTH DIGITS (14=14th DAY)  
 HOUR: SIXTH AND SEVENTH DIGITS (11=11AM)

6. MATERIAL:  
 PLUG HOUSING: 6061-T6 ALUMINIUM ALLOY  
 SWAGE RING: PA 15%GF (BLACK)  
 GROMMET: SILICONE VMQ (GREEN, BLUE, GRAY)

5. FOR CONTACTS AND WIRES PERFORMANCE AND APPLICATION CHARACTERISTICS SEE ENVELOPE DWG. 0425-015-0000.

1. CONSULT FACTORY FOR ELECTRICAL AND MATERIAL SPECIFICATIONS.

NOTES:

THIS DRAWING IS A CONTROLLED DOCUMENT.		DWN 02JAN2008 I. GRANTCHAROVA	 TE Connectivity	
DIMENSIONS: INCHES		CHK 18FEB2008 B. BAYFORD		
TOLERANCES UNLESS OTHERWISE SPECIFIED:		APVD 13FEB2008 S. BEARD	NAME PLUG CONNECTOR 18-6 ARR. BAYONET COUPLING	
0 PLC ±- 1 PLC ±- 2 PLC ±- 3 PLC ±.010 [±.254] 4 PLC ±- ANGLES ±° 30' 0"		PRODUCT SPEC 108-151014	SIZE CAGE CODE DRAWING NO RESTRICTED TO	
MATERIAL 6		APPLICATION SPEC 114-151014	A3 - C=HD36-18-6SX	
		WEIGHT 52g	SCALE NONE SHEET 1 OF 1 REV D	
		Customer Drawing		