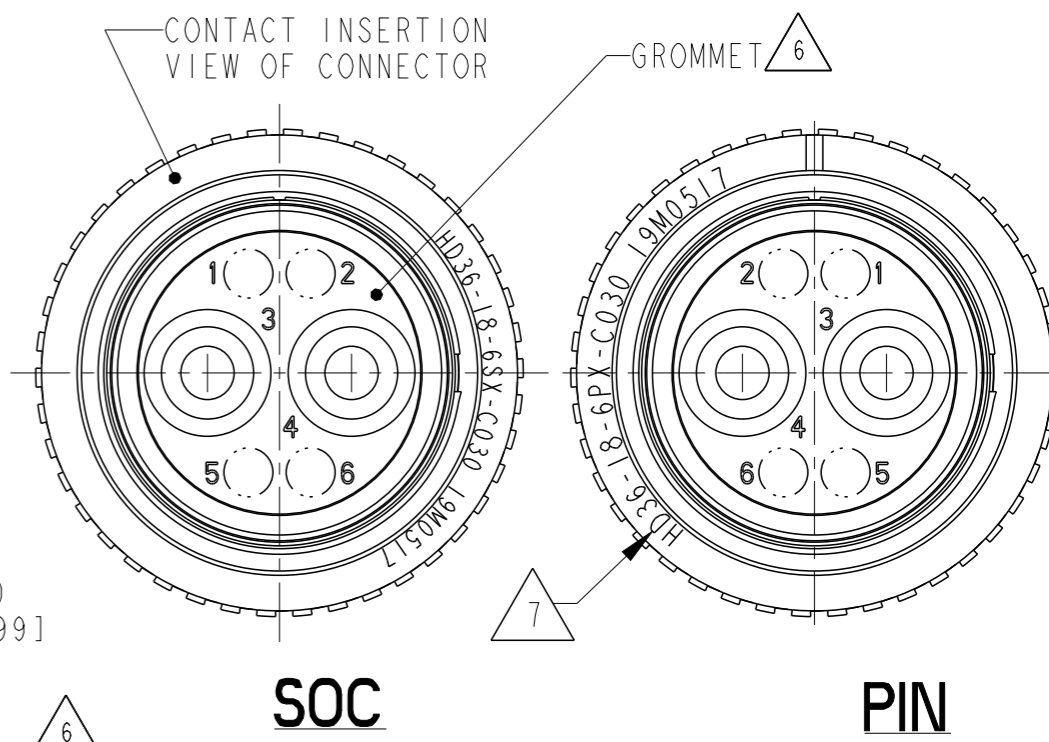
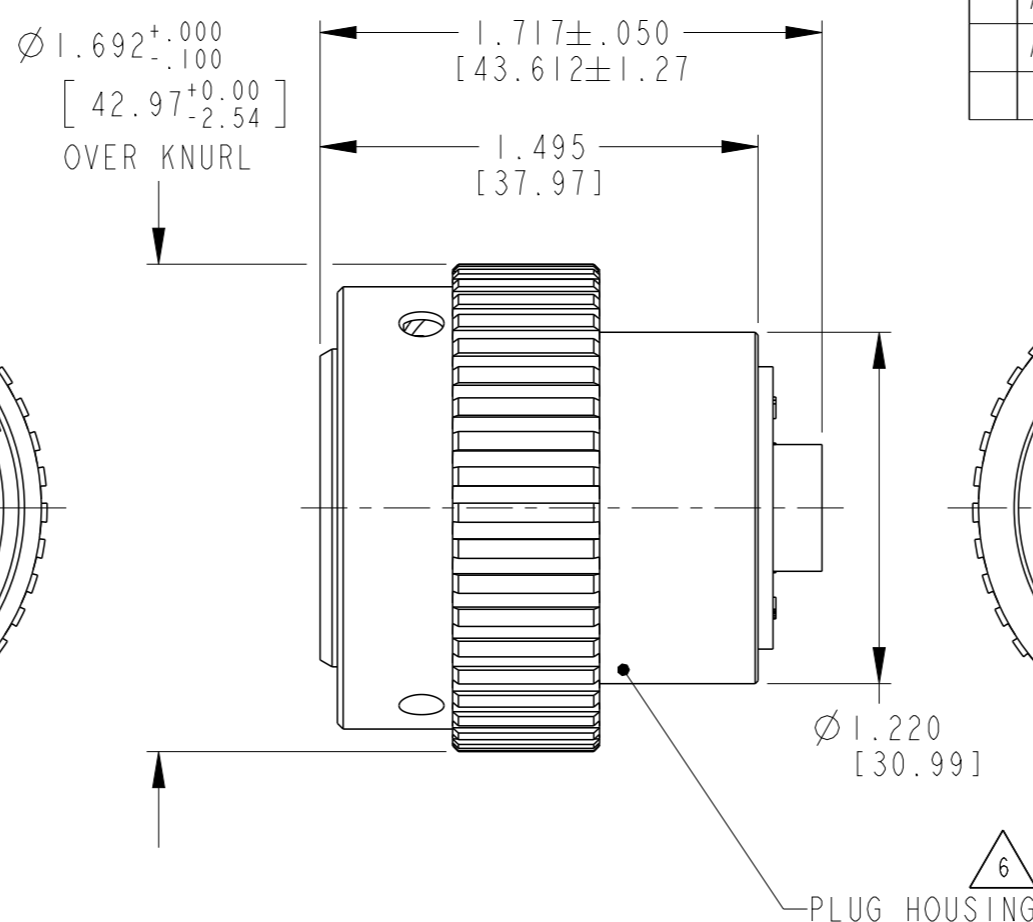
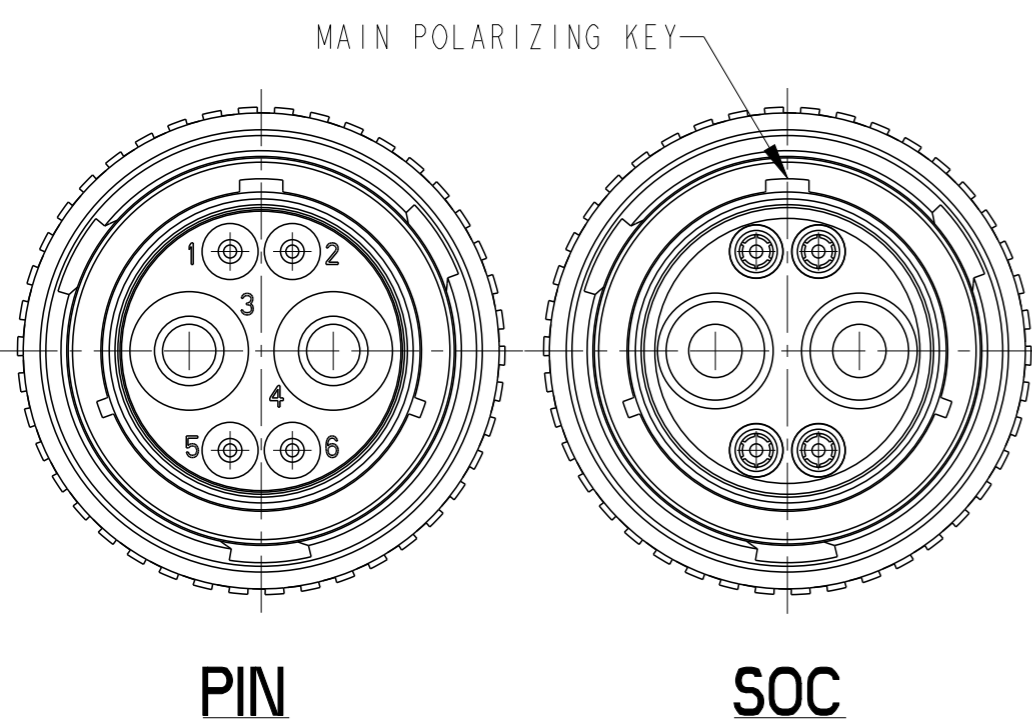


LOC	DIST	REVISIONS			
P	LTR	DESCRIPTION	DATE	DWN	APVD
-	-	A1	RELEASED AS PER ECO-15-001798	02SEP2014	VNB DM
		A2	REVISED PER PCN E-20-000705	27JAN2020	PK DM
		A3	REVISED PER PCN E-20-017587	10MAR2021	CO IG
		B	REVISED PER PCN-24-219560	30AUG2024	CO CB



4. WHEN X = N: NORMAL SEAL
 WHEN X = E: REDUCED DIAMETER E-SEAL
3. THIS CONNECTOR MATES WITH HD36-18-6P/SX-C030. X= TYPE OF SEAL.
2. THIS CONNECTOR WILL ACCOMMODATE THE FOLLOWING WIRE INSULATION DIAMETERS:

SEAL TYPE	CONTACT SIZE	MIN INSULATION O.D.	MAX INSULATION O.D.	WIRE GAUGE AWG [mm ²] RANGE
N	4	.280 [7.11]	.292 [7.42]	6 [13mm ²]
E	4	.261 [6.63]	.292 [7.42]	6 [13mm ²]

7. DATE CODE: IDENTIFIES THE YEAR, MONTH, DAY AND HOUR OF ASSEMBLY.
 YEAR: FIRST AND SECOND DIGITS. (14=2014)
 MONTH: THIRD DIGIT, EXCLUDING I.A=JAN., B=FEB., C=MARCH... (K=OCT.)
 DAY: FOURTH AND FIFTH DIGITS (14=14th DAY)
 HOUR: SIXTH AND SEVENTH DIGITS (11=11AM)
6. MATERIAL:
 PLUG HOUSING: 6061-T6 ALUMINUM ALLOY,
 SWAGE RING: PA 15%GF (BLACK)
 GROMMET: SILICONE VMQ (GREEN, BLUE, GRAY)
5. FOR CONTACTS AND WIRES PERFORMANCE AND APPLICATION CHARACTERISTICS SEE ENVELOPE DWG. 0425-015-0000.

1. CONSULT FACTORY FOR ELECTRICAL AND MATERIAL SPECIFICATIONS.

NOTES:

THIS DRAWING IS A CONTROLLED DOCUMENT.

DIMENSIONS: INCHES [mm]	TOLERANCES UNLESS OTHERWISE SPECIFIED:	DWN 30OCT2014 VIJETH BHARADWAJ	TE Connectivity NAME PLUG CONNECTOR 18-6 ARR. BAYONET COUPLING-C030 MOD
	0 PLC ±-	CHK 31OCT2014 I. GRANTCHAROVA	
	1 PLC ±-	APVD 31OCT2014 D. MEYER	
	2 PLC ±-	PRODUCT SPEC 108-151014	
	3 PLC ±.010 [±.254]	APPLICATION SPEC 114-151014	SIZE A3
	4 PLC ±-	WEIGHT 40g	CAGE CODE -
	ANGLES ±° 30' 0"	Customer Drawing	DRAWING NO. C=HD36-18-6P/SX-C030
	FINISH -	SCALE NONE	SHEET 1 OF 1
MATERIAL 6		REV B	RESTRICTED TO -