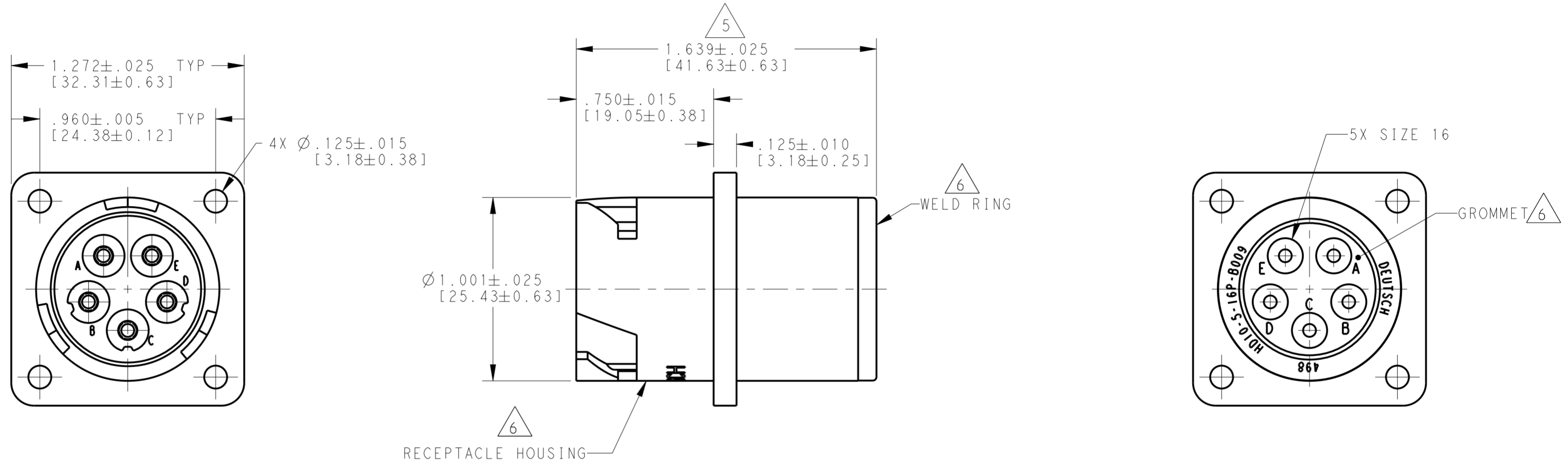
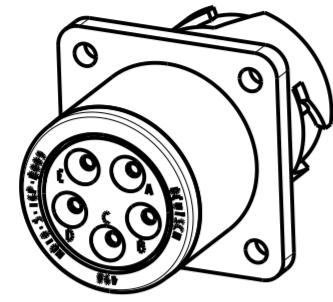


THIS DRAWING IS UNPUBLISHED
 RELEASED FOR PUBLICATION 2013
 © COPYRIGHT 2013 BY TE CONNECTIVITY. ALL RIGHTS RESERVED.

REVISIONS						
LOC	DIST	P	LTR	DESCRIPTION	DATE	APVD
-	-					
		NC		NEW RELEASE PER E.O. A12900	14DEC1992	JA
		A		REVISED AND REDRAWN PER E.O. P16294	20SEP1999	RDR
		B		REVISED PER E.O. P21366	4JUN2012	RDR
		B1		REVISED PER ECO-14-002953	29JAN2014	PV DM



6. MATERIAL:
 RECEPTACLE HOUSING AND WELD RING: PA 15%GF (GREY)
 SEAL: SILICONE (RED)



5. OVERALL DIMENSION DOES NOT INCLUDE RUBBER GROMMET.

4. THIS RECEPTACLE MATES WITH THE FOLLOWING PLUG (X=SEAL TYPE, XXXX = ALL MODIFICATIONS).
 HD16-5-16SX-XXXX



3. SEE DRAWING 0425-015-0000 FOR CONTACT AND WIRE PERFORMANCE AND APPLICATION CHARACTERISTICS.



2. MAXIMUM PANEL THICKNESS IS .250 [6.35].

1. SEE TABLE FOR USABLE WIRE RANGE AND INSULATION RANGE.

CONTACT SIZE	MINIMUM O.D.	MAXIMUM O.D.	WIRE RANGE [mm ²]
16	.100 [2.54]	.150 [3.81]	14-20 AWG [2.0-.50]

NOTES:

THIS DRAWING IS A CONTROLLED DOCUMENT.		DWN J. HAYNES 05OCT1999	TE Connectivity	
DIMENSIONS: INCHES [mm]		CHK I. GRANTCHAROVA 16SEP2013		
TOLERANCES UNLESS OTHERWISE SPECIFIED:		APVD D. MEYER 18SEP2013	NAME RECEPTACLE SQUARE FLANGE	
0 PLC ±-		PRODUCT SPEC -	HD10 SERIES ARR. 5-16	
1 PLC ±		APPLICATION SPEC -	COLOR: GREY	
2 PLC ±		WEIGHT 23.43 (g)	SIZE A2	CAGE CODE 00779
3 PLC ±.025		Customer Drawing	DRAWING NO. HD10-5-16P-B009	RESTRICTED TO -
4 PLC ±		SCALE 2:1	SHEET 1 OF 1	REV B1
ANGLES ±0°30'0"				
FINISH				