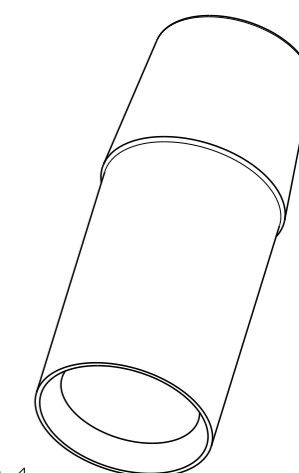
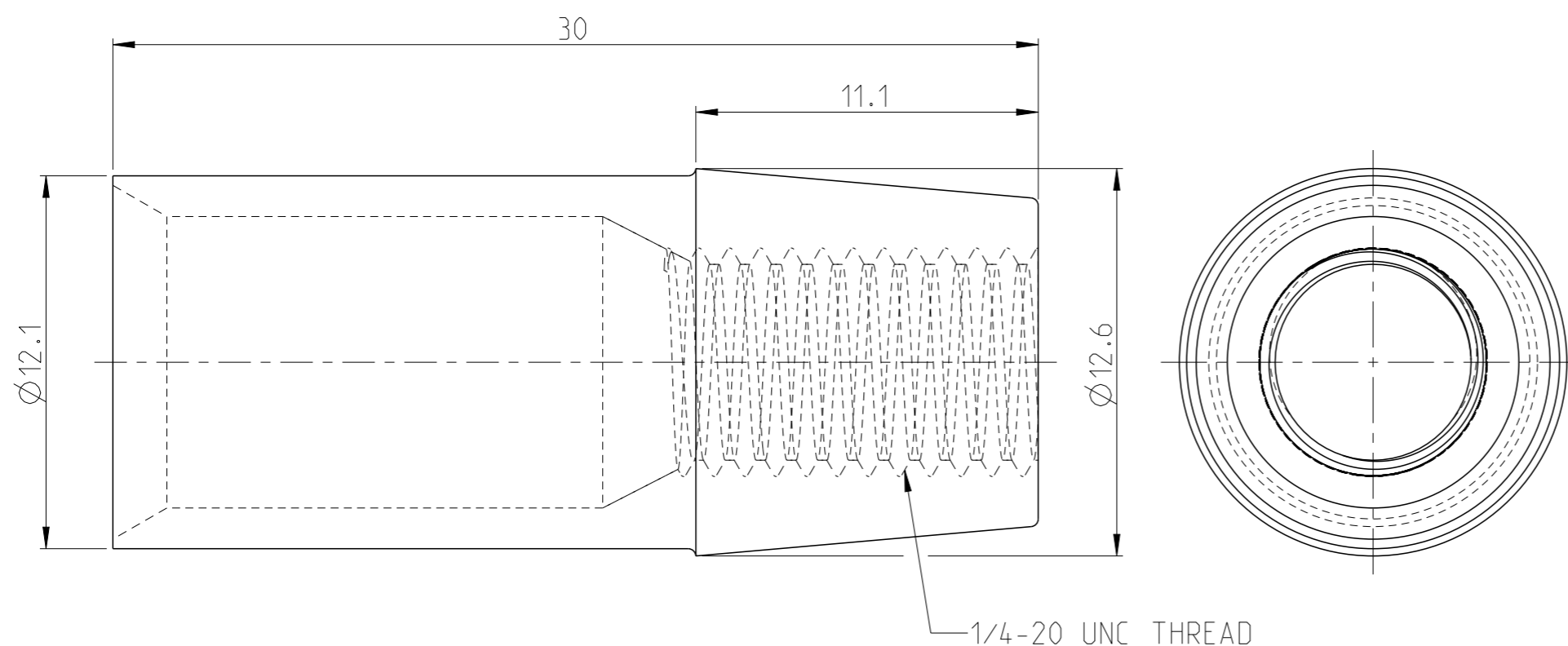


REVISIONS

P	LTR	DESCRIPTION	DATE	DWN	APVD
	A	INITIAL RELEASE	03JAN2017	VNB	CF

NOTES:

- 1 USED WITH BOLT PN HC5881
- 2 HEXAGONAL CRIMP DIE USED TO SUIT 50mm<sup>2</sup> WIRE
- 3 PART TO BE EMBOSSED WITH 50-P
- 4 REPLACES OLD DEUTSCH DRAWING D303134 (ENVELOPE DRAWING)



SCALE 2:1

HC5734	1	BRASS	-	BATTERY LEAD CONNECTOR 50 SQ MM +VE	A	1
TE ORDER NO.	QUANTITY	MAT.	COLOUR SURFACE	DESCRIPTION	REV.	ITEM

THIS DRAWING IS A CONTROLLED DOCUMENT.		DWN 03JAN2017 VIJETH BHARADWAJ								
DIMENSIONS: mm		CHK 04JAN2017 PRAVEENA V					NAME	BATTERY LEAD CONNECTOR 50 SQ MM +VE		
TOLERANCES UNLESS OTHERWISE SPECIFIED: ±0.3		APVD 04JAN2017 V V BIDI					PRODUCT SPEC	-		
MATERIAL BRASS		FINISH TIN PLATED					APPLICATION SPEC	-		
WEIGHT 14g		SIZE A3	CAGE CODE	DRAWING NO	RESTRICTED TO					
CUSTOMER DRAWING		SCALE 5:1	SHEET 1 OF 1	REV A						