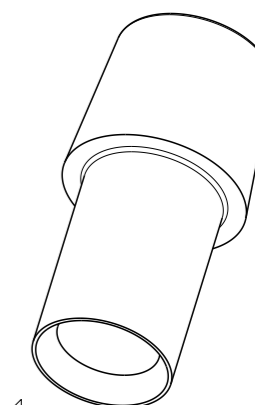
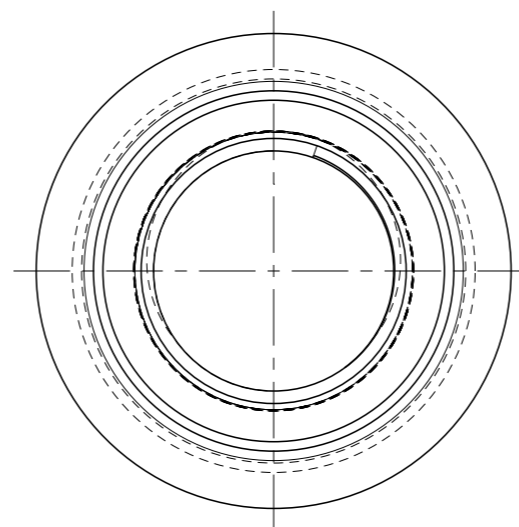
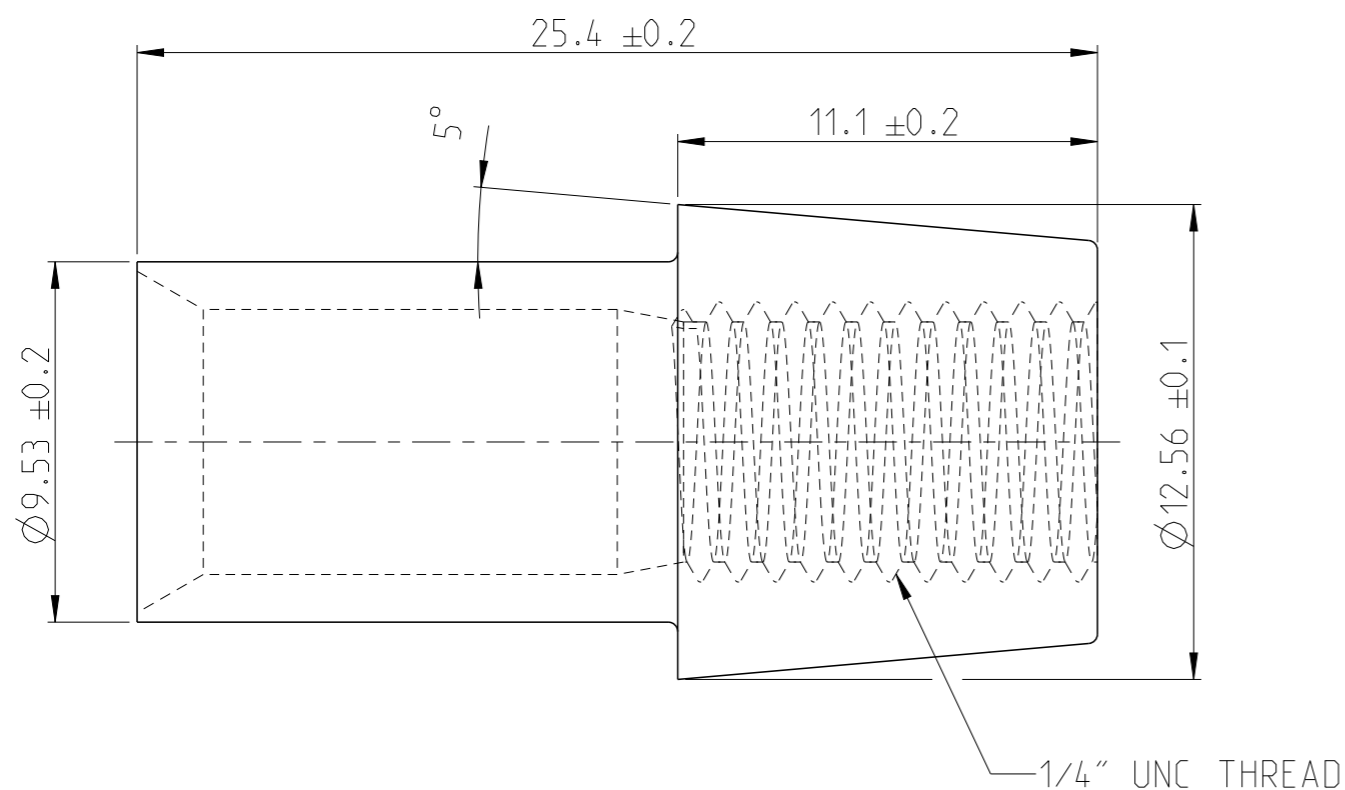


REVISIONS

P	LTR	DESCRIPTION	DATE	DWN	APVD
	A	INITIAL RELEASE	03JAN2017	VNB	CF

NOTES:

- 1 POSITIVE LEAD CONNECTOR FOR 25mm² WIRE - PN HC5730
- 2 HEXAGONAL CRIMP DIES USED TO SUIT 25mm² WIRE
- 3 PART TO BE EMBOSSED WITH 25P
- 4 USED WITH BOLT PN HC5881
- 5 REPLACES OLD DEUTSCH DRAWING D303130 (ENVELOPE DRAWING)



SCALE 2:1

HC5730	1	BRASS	-	BATTERY LEAD CONNECTOR 25 SQ mm +VE	A	1
TE ORDER NO.	QUANTITY	MAT.	COLOUR SURFACE	DESCRIPTION	REV.	ITEM
THIS DRAWING IS A CONTROLLED DOCUMENT.						
DIMENSIONS: mm		TOLERANCES UNLESS OTHERWISE SPECIFIED:				
		0 PLC ± 1 PLC ± 2 PLC ± 3 PLC ± 4 PLC ± ANGLES ±0.5°		BATTERY LEAD CONNECTOR 25 SQ mm +VE -		RESTRICTED TO
MATERIAL: BRASS		FINISH: ELECTRO TIN PLATED		SIZE: A3	CAGE CODE: -	DRAWING NO: HC5730
CUSTOMER DRAWING				WEIGHT: 10.4g	SCALE: 5:1	SHEET: 1 OF 1