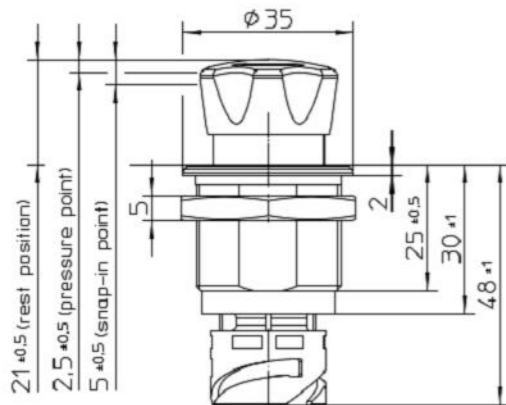
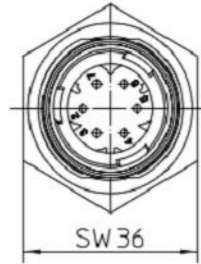
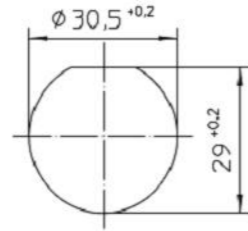


P	LTR	DESCRIPTION	DATE	DWN	APVD
A		TE STANDARD	18JUL2024	KS	RB

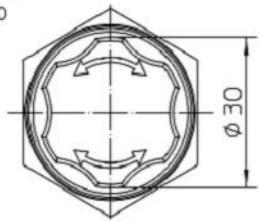
EC No. 22779  
22880  
Emergency Switch  
Page 1 of 2

EC No. 22779  
22880  
Emergency Switch  
Page 2 of 2

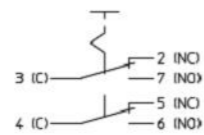
Mounting Dimensions



plug and socket device  
6-pol in accordance to  
DIN 72585 / ISO 15170



Circuit Diagram:



Technical Data

Construction

Material socket ..... PA GF RAL 1003; UL 94 V0  
 Material button ..... PA GK RAL 3000; UL 94 HB  
 Protection interior ..... IP67 IEC 60529  
 ..... IP6K9K IEC 60529  
 connector (in mated condition) ..... IP67/ IP6K9K IEC 60529  
 Shock resistance ..... ISO 16750-3; 50g/ 6ms half sinus  
 Vibration resistance ..... ISO 16750-3; Test VII  
 Climatic resistance ..... IEC 60068-2-38  
 Chemical resistance ..... ISO 16750-5; Code Z  
 Temperature range ..... -40°C to +85°C  
 Torque M30x1.5 max. .... 6 Nm  
 Weight ..... ca. 45g

Mechanical Data

Locking turn to reset ..... EN 60947-5-5  
 Positive opening operation ..... EN 60947-5-1  
 Switching sequence ..... BBM - Break before make  
 Operating force max. .... 20-50 N  
 Torque knob max. .... 3 Nm  
 Current carrying party ..... Cu-Alloy  
 Contact material ..... Ag-Alloy  
 Mechanical life ..... 40 000 cycles

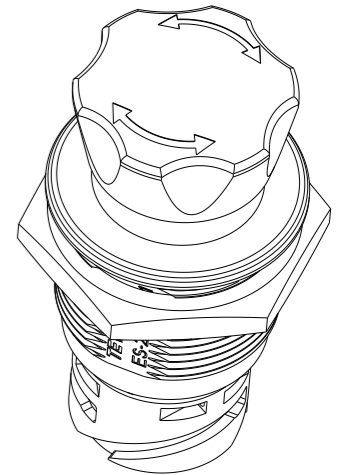
Electrical Data

Voltage range ..... 9VDC to 32VDC  
 Nominal voltage ..... 12VDC / 24VDC  
 Dielectric withstanding voltage ..... 1050 VAC for 1 min.  
 contact resistance ..... max. 50 mOhm  
 Insulation resistance ..... > 100 MOhm at 500 VDC  
 Continuous current ..... 10mA to 10A  
 Current max. .... 10.1 A  
 Switching capacity min. .... 12 VDC, 10mA  
 Electrical life  
 at 10 A / 28 VDC ohmic load ..... 10 000 cycles  
 at 5 A / 28 VDC ohmic load ..... 40 000 cycles  
 at 2 A / 28 VDC ohmic load ..... 40 000 cycles  
 Short circuit protection ..... Automotive fast-acting fuse 10A



NOTES  
Bemerkungen

1 TE-CONNECTIVITY ORDER-NUMBER  
TE-Connectivity Bestellnumm



ISO 1:1

Date	Name	mm	Scale	Drawing No.
Create 11.07.2016	Hamar	General Tolerances DIN ISO 2768 cL	1:1	ES-2200-T111
Edited 07.10.2019	Hamar			
Check 09.10.2019	Baumg			

Date	Name	mm	Scale	Drawing No.
Create 11.07.2016	Hamar	General Tolerances DIN ISO 2768 cL	1:1	ES-2200-T111
Edited 07.10.2019	Hamar			
Check 09.10.2019	Baumg			

K1155497	1	A	EMERGENCY SWITCH Not-Halt Schalter	1
TE ORDER-NO.	REV.		DESCRIPTION	ITEM NO.

THIS DRAWING IS A CONTROLLED DOCUMENT.

DIMENSIONS:	TOLERANCES UNLESS OTHERWISE SPECIFIED:	DWN	11JUL2016
mm	DIN ISO 2768 cL	CHK	07OCT2019
	0 PLC ±	APVD	09OCT2019
	1 PLC ±	NAME	R. Baumgartner
	2 PLC ±	PRODUCT SPEC	EMERGENCY SWITCH Not-Halt Schalter
	3 PLC ±	APPLICATION SPEC	
4 PLC ±	FINISH	SIZE	A3
MATERIAL		CAGE CODE	00779
		DRAWING NO.	ES-2200-T111
		RESTRICTED TO	-
		SCALE	1 OF 1
		SHEET	REV A

CUSTOMER DRAWING