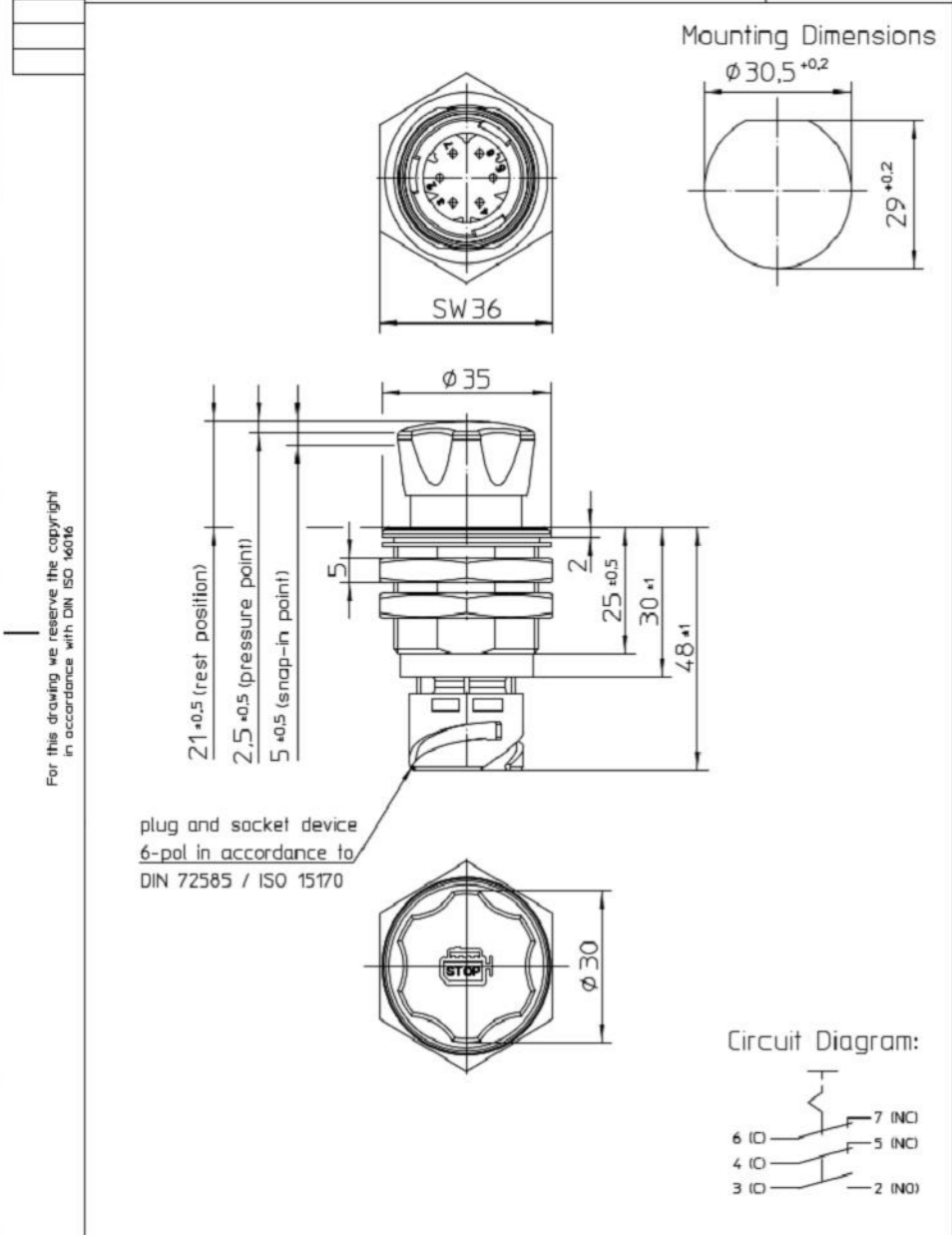


P	LTR	DESCRIPTION	DATE	DWN	APVD
	A	TE STANDARD	04 JUL 2024	KS	RB

EC No. 22779 22880
Emergency Switch
 Page 1 of 2



EC No. 22779 22880
Emergency Switch
 Page 2 of 2

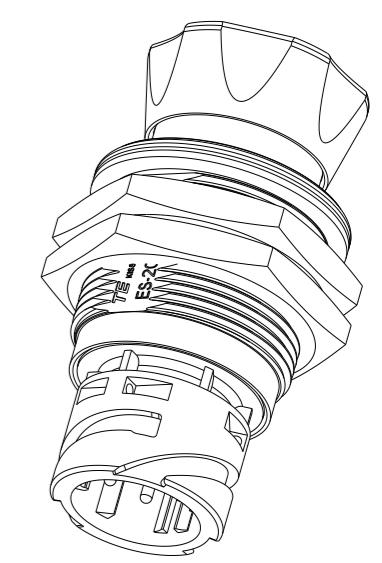
Technical Data

Construction
 Material socket PA GF RAL 1003, UL 94 V0
 Material button PA GK RAL 3000, UL 94 HB
 Protection interior IP67 IEC 60529
 connector (in mated condition) IP67/ IP6K9K IEC 60529
 Shock resistance ISO 16750-3, 50g/ 6ms half sinus
 Vibration resistance ISO 16750-3, Test VII
 Climatic resistance IEC 60068-2-38
 Chemical resistance ISO 16750-5, Code Z
 Temperature range -40°C to +85°C
 Torque M30x1,5 max. 6 Nm
 Weight ca. 75g

Mechanical Data
 Locking turn to reset EN 60947-5-5
 Positive opening operation EN 60947-5-1
 Switching sequence BBM - Break before make
 Operating force max. 20-50 N
 Torque knob max. 3 Nm
 Current carrying party Cu-Alloy
 Contact material Ag-Alloy
 Mechanical life 40 000 cycles

Electrical Data
 Voltage range 9VDC to 32VDC
 Nominal voltage 12VDC / 24VDC
 Dielectric withstanding voltage 1050 VAC for 1 min.
 contact resistance max. 50 mOhm
 Insulation resistance > 100 MOhm at 500 VDC
 Continuous current 10mA to 10A
 Current max. 10,1 A
 Switching capacity min. 12 VDC, 10mA
 Electrical life
 at 10 A / 28 VDC ohmic load 10 000 cycles
 at 5 A / 28 VDC ohmic load 40 000 cycles
 at 2 A / 28 VDC ohmic load 40 000 cycles
 Short circuit protection Automotive fast-acting fuse 10A

NOTES
 Bemerkungen
 1 TE-CONNECTIVITY ORDER-NUMBER
 TE-Connectivity Bestellnumm



ISO 1:1

Date	Name	mm	Scale	Drawing No.
Create 22.04.2016	Hamar	General Tolerances DIN ISO 2768 cL	1:1	ES-2012-A111 900
Edited 08.10.2019	Hamar			
Check 09.10.2019	Baumg			

Date	Name	mm	Scale	Drawing No.
Create 22.04.2016	Hamar	General Tolerances DIN ISO 2768 cL	1:1	ES-2012-A111 900
Edited 08.10.2019	Hamar			
Check 09.10.2019	Baumg			

K1156657	1	A	EMERGENCY SWITCH Not-Halt Schalter	1
TE ORDER-NO.	REV.		DESCRIPTION	ITEM NO

THIS DRAWING IS A CONTROLLED DOCUMENT.

DIMENSIONS: mm	TOLERANCES UNLESS OTHERWISE SPECIFIED: DIN ISO 2768 cL	DWN E.Hamarat 22APR2016													
	<table border="1"> <tr> <td>0 PLC</td> <td>±</td> </tr> <tr> <td>1 PLC</td> <td>±</td> </tr> <tr> <td>2 PLC</td> <td>±</td> </tr> <tr> <td>3 PLC</td> <td>±</td> </tr> <tr> <td>4 PLC</td> <td>±</td> </tr> <tr> <td>ANGLES</td> <td>±</td> </tr> </table>	0 PLC		±	1 PLC	±	2 PLC	±	3 PLC	±	4 PLC	±	ANGLES	±	CHK E.Hamarat 08OCT2019
		0 PLC		±											
1 PLC	±														
2 PLC	±														
3 PLC	±														
4 PLC	±														
ANGLES	±														
MATERIAL	FINISH	APVD R.Baumgartner 09OCT2019													

NAME: EMERGENCY SWITCH
Not-Halt Schalter

PRODUCT SPEC

APPLICATION SPEC

WEIGHT

CUSTOMER DRAWING

SIZE	CAGE CODE	DRAWING NO	RESTRICTED TO
A3	00779	ES-2012-A111-900	-

SCALE: SHEET 1 OF 1 REV A