

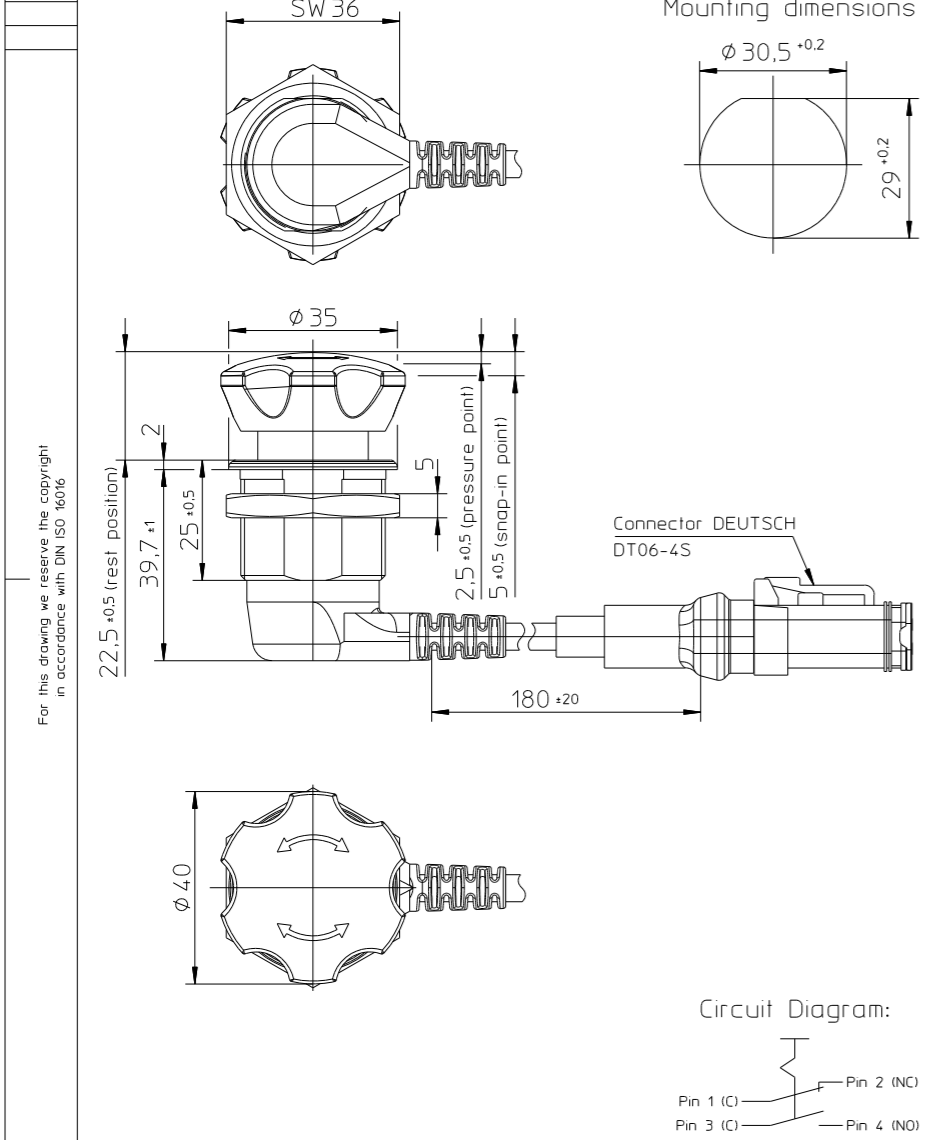
P	LTR	DESCRIPTION	DATE	DWN	APVD
	A	TE STANDARD	03AUG2024	KS	RB

EC No. 22556
22779
22880

Emergency Switch Page 1 of 2

EC No. 22556
22779
22880

Emergency Switch Page 2 of 2



Technical Data

Construction

Material socket _____ PA GF RAL 1003; UL 94 V0
 Material button _____ PA GK RAL 3000; UL 94 HB
 Protection interior _____ IP67 IEC 60529
 _____ IP6K9K IEC 60529
 connector (in mated condition) _____ IP67 IEC 60529

Shock resistance _____ ISO 16750-3; 50g/ 6ms half sinus
 Vibration resistance _____ ISO 16750-3; Test VII
 Climatic resistance _____ IEC 60068-2-38
 Chemical resistance _____ ISO 16750-5; Code Z
 Temperature range _____ -40°C to +85°C
 Torque M30x1,5 max. _____ 6 Nm
 Weight _____ ca. 70g

Mechanical Data

Locking (turn to reset) _____ EN 60947-5-5
 Positive opening operation (MCO) _____ EN 60947-5-1
 Switching sequence _____ BBM - Break before make
 Operating force max. _____ 20-50 N
 Torque knob max. _____ 3 Nm
 Current carrying party _____ Cu-Alloy
 Contact material _____ Ag-Alloy
 Mechanical life _____ 40 000 cycles

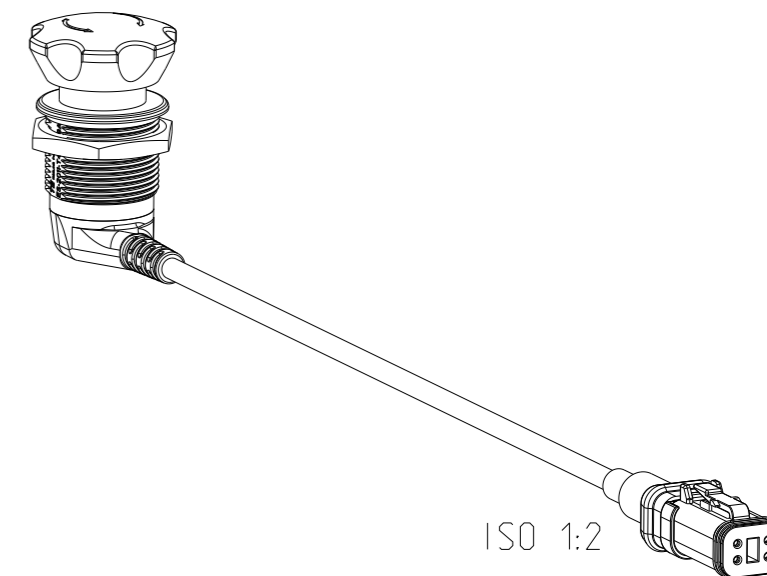
Electrical Data

Voltage range _____ 9VDC to 32VDC
 Nominal voltage _____ 12VDC / 24VDC
 Dielectric withstanding voltage _____ 1050 VAC for 1 min.
 contact resistance _____ max. 50 mOhm
 Insulation resistance _____ > 100 MOhm at 500 VDC
 Continuous current _____ 10mA to 8A
 Current max. _____ 10,1 A
 Switching capacity min. _____ 12 VDC, 10mA
 Electrical life _____
 at 8 A / 28 VDC ohmic load _____ 10 000 cycles
 at 5 A / 28 VDC ohmic load _____ 40 000 cycles
 at 2 A / 28 VDC ohmic load _____ 40 000 cycles
 Short circuit protection _____ Automotive fast-acting fuse 10A

M 1:2

NOTES:
Bemerkungen:

1 TE-CONNECTIVITY ORDER-NUMBER
TE-Connectivity Bestellnummer



Date	Name	mm	Scale	Drawing No.
Create 21.03.2018	Hamar	mm	1:1	ES-2011-T412-018A
Edited 09.10.2019	Hamar	General Tolerances		
Check 09.10.2019	Baumg	DIN ISO 2768 cL		NSN:

Date	Name	mm	Scale	Drawing No.
Create 21.03.2018	Hamar	mm	1:1	ES-2011-T412-018A
Edited 09.10.2019	Hamar	General Tolerances		
Check 09.10.2019	Baumg	DIN ISO 2768 cL		NSN:

1	K1160799	A	EMERGENCY STOP SWITCH Not-Halt Schalter	1
PART/TCPN NO.	REV.	DESCRIPTION	ITEM NO.	

THIS DRAWING IS A CONTROLLED DOCUMENT.

DIMENSIONS:	TOLERANCES UNLESS OTHERWISE SPECIFIED:
mm	DIN ISO 2768 cL
	0 PLC ±
	1 PLC ±
	2 PLC ±
	3 PLC ±
	4 PLC ±
	ANGLES ±
MATERIAL	FINISH

DWN	E.Hamarat	21MAR2018
CHK	E.Hamarat	09OCT2019
APVD	R.Baumgartner	09OCT2019
PRODUCT SPEC		
APPLICATION SPEC		
WEIGHT		
CUSTOMER DRAWING		

TE TE Connectivity

NAME
EMERGENCY STOP SWITCH
Not-Halt Schalter

SIZE	CAGE CODE	DRAWING NO	RESTRICTED TO
A3	00779	ES-2011-T412-018A	-

SCALE SHEET 1 OF 1 REV A