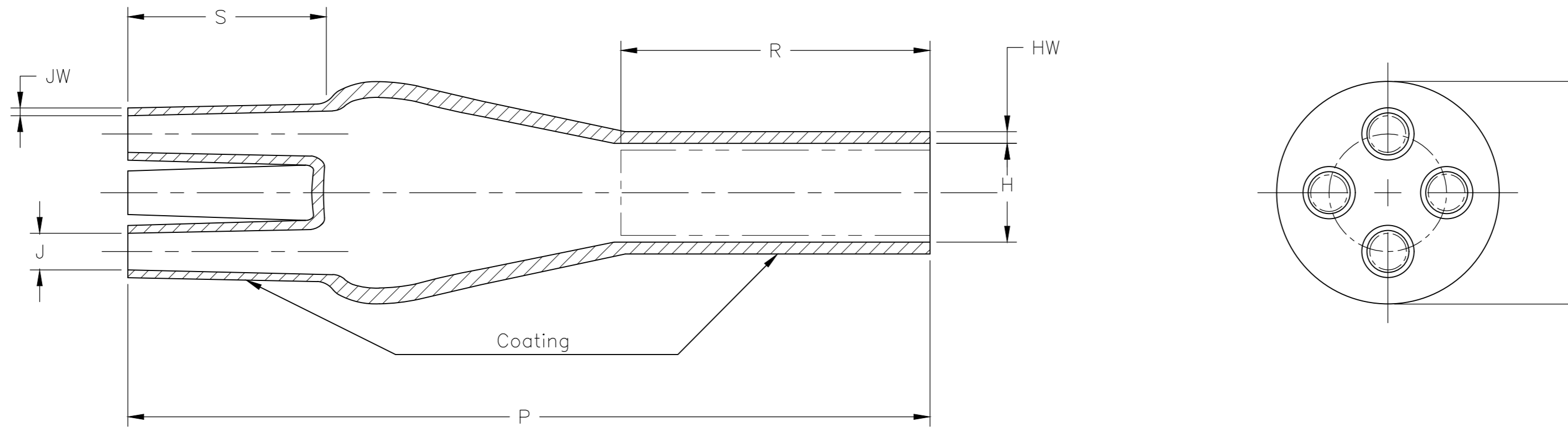


P	LTR	DESCRIPTION	DATE	DWN	APVD
1		NEW DRAWING	09MAR2020	KR	GS



PRODUCT SIZE	NUMBER OF CORES	H		a	J		P	R		S	Q	HW		JW
		a	b		b	b		b	b			b	b	
		min	max	min	max	+/-10%	+/-10%	+/-10%	+/-10%	+/-20%	+/-20%			
302K333/S	2	28	9.2	15	4.1	90	-	25	15	3.2	1.6			
302K224/S	2	48	32	22	7	172	-	70	34	2	2			
302K466/S	2	86	42	40	17	200	-	75	45	2.5	2.5			
402W533/S	3	38	13	16	4.2	103	45	28	22	2.7	1.5			
402W516/S	3	63	22	26	9	180	85	40	35	3.5	1.5			
402W520/S	3	70	25	27	9.5	159	107	52	32	4	2			
402W525/S	3	85	33	32	12	180	130	50	38	3	2.5			
402W530/S	3	90	43	38	16.2	180	130	50	46	2.7	2.7			
402W526/S	3	95	28	44	13	205	90	45	42	3.5	2.5			
402W248/S	3	115	45	52	22	240	100	60	64	4	2.5			
402W545/S	3	124	60	51	24	239	188	51	65	3	3.2			
402W439/S	3	170	60	60	30	252	90	66	85	4.2	2.6			
502S013/S	4	23	9.5	7	2	60	-	17	13	2	12			
502K033/S	4	45	16.5	14	3.4	98	71	25	-	2.5	1.9			
502K046/S	4	45	19	20	7	165	75	40	45	3.5	2			
502K016/S	4	75	25	25	9	217	100	44	50	3.5	2			
502K020/S	4	80	25	27	9	217	100	44	50	3.5	2			
502K026/S	4	100	31	40	13.5	223	103	51	50.4	3.5	2.5			
502K810/S	3+1*	170	60	50*	23*	255	90	65	109	4	3.5			
*One of 4 outlets dim=43/19														
603W035/S	4+1*	68	26	30*	7*	182	75	40	45	3.2	2.5			
603W040/S	4+1**	85	26	33**	7**	182	75	40	45	3.2	2.5			
*One of 5 outlets dim=20/6 ** One of 5 outlets dim=27/6														
903K015/S	7+1*	50	25	23*	6.5*	163.5	97.5	33	53.5	3.5	2.2			
*One of 8 outlets dim=6/2.8 **														

NOTES:

1. MATERIAL: JACKET – CROSS LINKED POLYOLEFIN BASED, COLOR: BLACK
2. a = AS SUPPLIED, b = AFTER FREE RECOVERY
3. DRAWING DEPICTS TYPICAL 4-CORE PART ONLY

THIS DRAWING IS A CONTROLLED DOCUMENT.		DWN RAGHAVENDRA K	09MAR2020	<b>TE</b> TE Connectivity	
DIMENSIONS: mm		CHK GREG S	APVD GREG S		
TOLERANCES UNLESS OTHERWISE SPECIFIED:		PRODUCT SPEC		NAME CABLE BREAKOUTS	
0 PLC ± -		APPLICATION SPEC		SIZE A2	CAGE CODE 00779
1 PLC ± -		WEIGHT		DRAWING NO EPD-202-312006-01	
2 PLC ± -		FINISH		RESTRICTED TO	
3 PLC ± -		MATERIAL		SCALE NTS	
4 PLC ± -		CUSTOMER DRAWING		SHEET 1 of 1	
ANGLES ± -				REV 1	