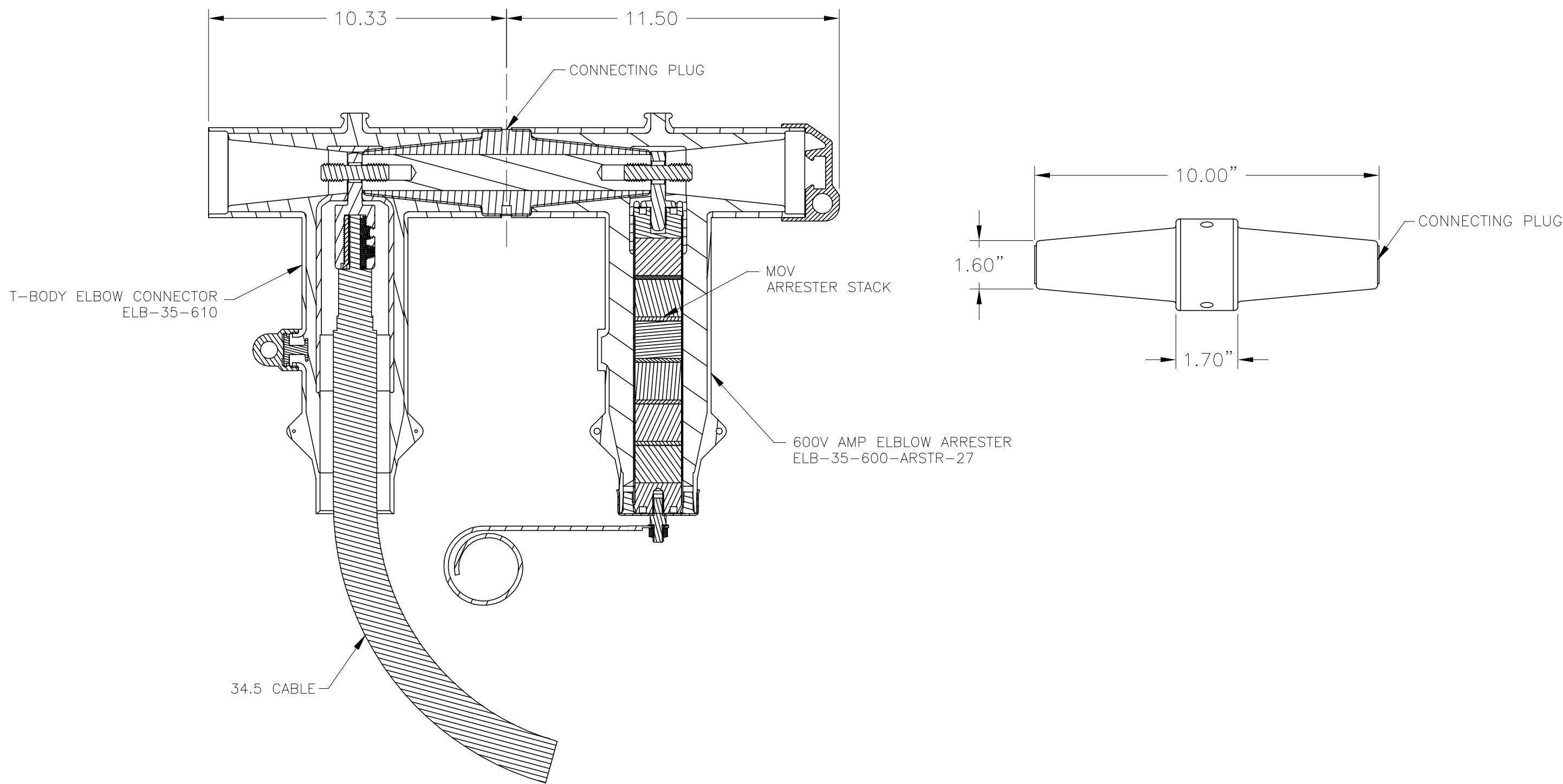


REVISIONS				
P	LTR	DESCRIPTION	DATE	APVD
1		NEW DRAWING	12MAY2020	KR JV



THIS DRAWING IS A CONTROLLED DOCUMENT.		DWN RAGHAVENDRA K.	12MAY2020		
		CHK VALENCIA, JORDI	12MAY2020		
		APVD RIVA, CARLOS	12MAY2020	NAME 35kV Deadbreak with Surge Arrester ELB-600 with SA	
DIMENSIONS: mm 		TOLERANCES UNLESS OTHERWISE SPECIFIED: 0 PLC ± - 1 PLC ± - 2 PLC ± - 3 PLC ± - 4 PLC ± - ANGLES ± -		PRODUCT SPEC APPLICATION SPEC WEIGHT	
MATERIAL -		FINISH -		SIZE A3	CAGE CODE 00779
CUSTOMER DRAWING				DRAWING NO ELB-600	RESTRICTED TO -
				SCALE NTS	SHEET 1 OF 2
				REV 1	

Ordering Formula Example:

ELB-35-	1	2	3
35 kV Elbow	600 AMP with Test point	1.755" Insulation OD	750 kcmil Stranded Cond.
=ELB-35-	610	R	750

P	LTR	DESCRIPTION	DATE	DWN	APVD
-	-	SEE SHEET 1	-	-	-

ELB-35 dead break

Ordering Formula

ELB-35-	1	2	3
---------	---	---	---


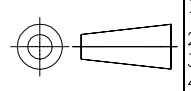
1	CURRENT RATING	TEST POINT CODE
600	= 600 AMP WITHOUT test point	
610	= 600 AMP WITH test point	
900	= 900 AMP WITHOUT test point	
910	= 900 AMP WITH test point	

2	Cable Insulator O.D. Range	
Code	Inches	mm
E	.930 - 1.040	23.6 - 26.4
F	.980 - 1.115	24.9 - 28.3
G	1.040 - 1.175	26.4 - 29.8
H	1.095 - 1.240	27.8 - 31.5
J	1.160 - 1.305	29.5 - 33.1
K	1.220 - 1.375	31.0 - 34.9
L	1.285 - 1.395	32.6 - 35.4
M	1.355 - 1.520	34.4 - 39.0
N	1.485 - 1.595	37.7 - 40.5
P	1.530 - 1.640	38.9 - 41.7
Q	1.575 - 1.685	40.0 - 42.8
R	1.665 - 1.785	42.3 - 45.3
S	1.775 - 1.875	45.1 - 47.6
T	1.845 - 1.965	46.9 - 50.0
U	1.935 - 2.055	49.1 - 52.2
V	2.025 - 2.145	51.4 - 54.5

Copper ShearBolt & Conductor Size	
	Compression, Compact, Strand
-C1	2 - 4/0
-C2	2/0 - 500
-C3	300 - 750
-C4	500 - 1000
-C5	1000 - 1250

Aluminum ShearBolt & Conductor Size	
	Compression, Compact, Strand
-A1	2 - 350
-A2	350 - 750
-A3	600 - 1000
-A4	1000 - 1250

3	Compression Lugs   Conductor Size (Aluminum or Copper)		
Code	Str/ Comp	Compact	Solid
1	-	1/0	1/0
10	1/0	2/0	2/0
20	2/0	3/0	3/0
30	3/0	4/0	4/0
40	4/0	250	-
250	250	300	-
300	300	350	-
350	350	400	-
400	400	450/500	-
450	450	500/550	-
500	500	600	-
550	550	650	-
600	600	700	-
650	650	750/800	-
750	700/750	900	-
800	800	900	-
900	900	1000	-
1000	1000	-	-
1100	1100	-	-
1250	1250	-	-

THIS DRAWING IS A CONTROLLED DOCUMENT.		DWN 12MAY2020 RAGHAVENDRA K.	 TE Connectivity
		CHK 12MAY2020 VALENCIA, JORDI	
		APVD 12MAY2020 RIVA, CARLOS	NAME 35kV Deadbreak with Surge Arrester ELB-600 with SA
DIMENSIONS: mm 		TOLERANCES UNLESS OTHERWISE SPECIFIED: 0 PLC ± - 1 PLC ± - 2 PLC ± - 3 PLC ± - 4 PLC ± - ANGLES ± -	PRODUCT SPEC - APPLICATION SPEC - WEIGHT -
MATERIAL -		FINISH -	SIZE A3 CAGE CODE 00779 DRAWING NO ELB-600 RESTRICTED TO -
CUSTOMER DRAWING			SCALE NTS SHEET 2 OF 2 REV 1