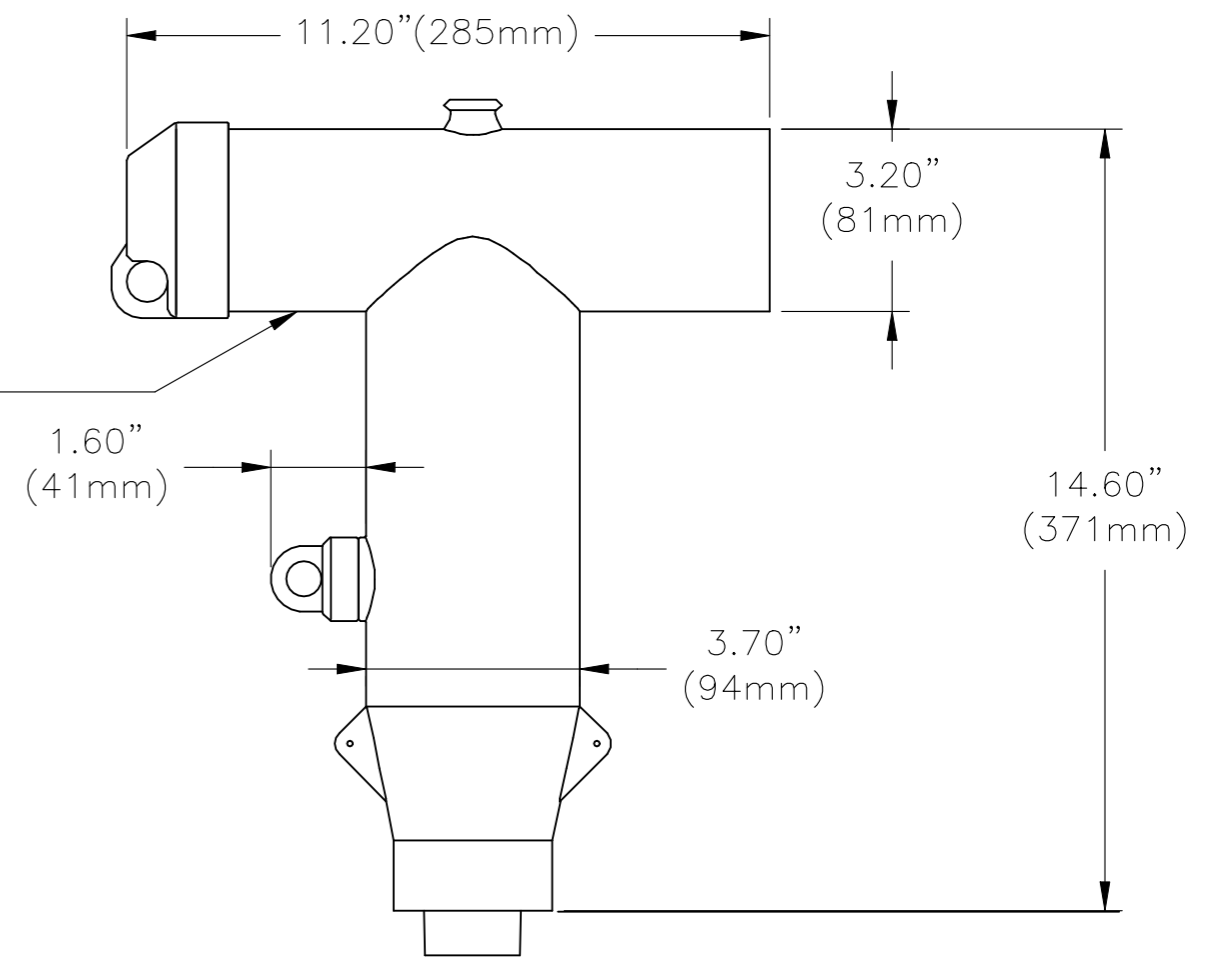
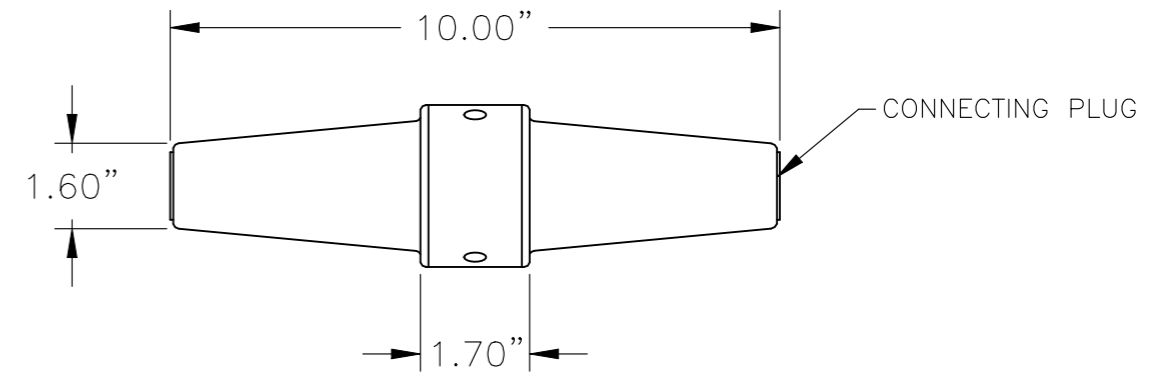
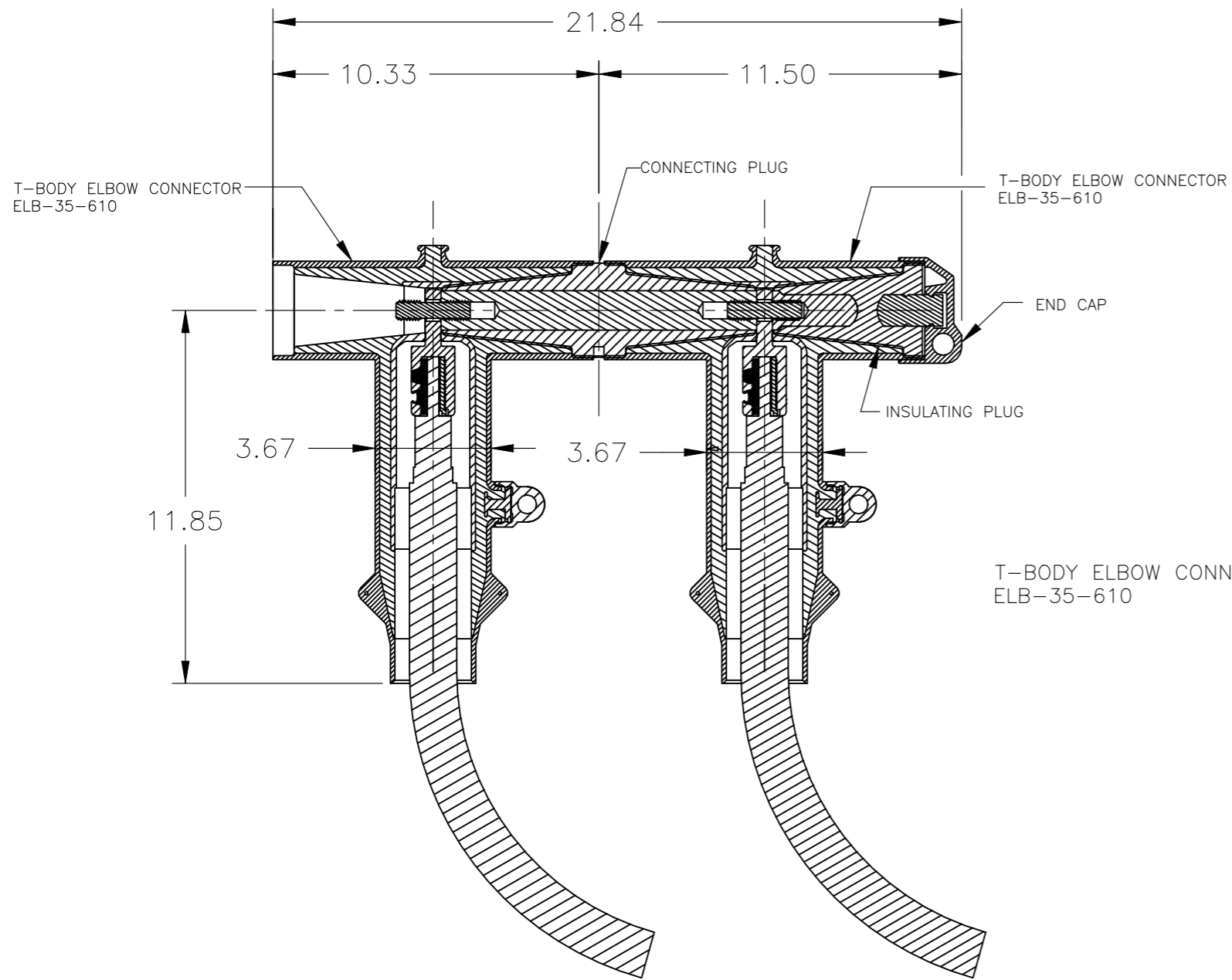



P	LTR	DESCRIPTION	DATE	DWN	APVD
1		NEW DRAWING	12MAY2020	KR	JV



THIS DRAWING IS A CONTROLLED DOCUMENT.		DWN RAGHAVENDRA K. 12MAY2020	 TE Connectivity		
DIMENSIONS: mm		CHK VALENCIA, JORDI 12MAY2020			
TOLERANCES UNLESS OTHERWISE SPECIFIED:		APVD RIVA, CARLOS 12MAY2020	NAME 35kV Deadbreak Elbow ELB-35-600		
0 PLC ± - 1 PLC ± - 2 PLC ± - 3 PLC ± - 4 PLC ± - ANGLES ± -		PRODUCT SPEC -	SIZE A3		
MATERIAL -		FINISH -	APPLICATION SPEC -	CAGE CODE 00779	DRAWING NO C-ELB-35-600
		WEIGHT	RESTRICTED TO -		
CUSTOMER DRAWING			SCALE NTS	SHEET 1 OF 2	REV 1

Ordering Formula

ELB-35-	1	2	3
35 kV Elbow	600 AMP with Test point	1.755" Insulation OD	750 kcmil Stranded Cond.
= ELB-35-	610	R	750

P	LTR	DESCRIPTION	DATE	DWN	APVD
	-	SEE SHEET 1	-	-	-

ELB-35-	1	2	3
---------	---	---	---

1	CURRENT RATING	TEST POINT CODE
600	= 600 AMP WITHOUT test point	
610	= 600 AMP WITH test point	
900	= 900 AMP WITHOUT test point	
910	= 900 AMP WITH test point	

2	Cable Insulator O.D. Range	
Code	Inches	mm
E	.930 - 1.040	23.6 - 26.4
F	.980 - 1.115	24.9 - 28.3
G	1.040 - 1.175	26.4 - 29.8
H	1.095 - 1.240	27.8 - 31.5
J	1.160 - 1.305	29.5 - 33.1
K	1.220 - 1.375	31.0 - 34.9
L	1.285 - 1.395	32.6 - 35.4
M	1.355 - 1.520	34.4 - 39.0
N	1.485 - 1.595	37.7 - 40.5
P	1.530 - 1.640	38.9 - 41.7
Q	1.575 - 1.685	40.0 - 42.8
R	1.665 - 1.785	42.3 - 45.3
S	1.775 - 1.875	45.1 - 47.6
T	1.845 - 1.965	46.9 - 50.0
U	1.935 - 2.055	49.1 - 52.2
V	2.025 - 2.145	51.4 - 54.5

ELB-35 Dead Break

3	Compression Lugs   Conductor Size (Aluminum or Copper)		
Code	Str/ Comp	Compact	Solid
1	-	1/0	1/0
10	1/0	2/0	2/0
20	2/0	3/0	3/0
30	3/0	4/0	4/0
40	4/0	250	-
250	250	300	-
300	300	350	-
350	350	400	-
400	400	450/500	-
450	450	500/550	-
500	500	600	-
550	550	650	-
600	600	700	-
650	650	750/800	-
750	700/750	900	-
800	800	900	-
900	900	1000	-
1000	1000	-	-
1100	1100	-	-
1250	1250	-	-

3	Copper ShearBolt & Conductor Size
Code	Compression, Compact, Strand
-C1	2 - 4/0
-C2	2/0 - 500
-C3	300 - 750
-C4	500 - 1000
-C5	1000 - 1250

3	Aluminum ShearBolt & Conductor Size
Code	Compression, Compact, Strand
-A1	2 - 350
-A2	350 - 750
-A3	600 - 1000
-A4	1000 - 1250

THIS DRAWING IS A CONTROLLED DOCUMENT.		DWN 12MAY2020 RAGHAVENDRA K.	<b>STE</b> TE Connectivity	
		CHK 12MAY2020 VALENCIA, JORDI		
		APVD 12MAY2020 RIVA, CARLOS	NAME 35kV Deadbreak Elbow ELB-35-600	
DIMENSIONS: mm		TOLERANCES UNLESS OTHERWISE SPECIFIED:		PRODUCT SPEC -
		0 PLC ± -	APPLICATION SPEC -	
		1 PLC ± -	SIZE CAGE CODE DRAWING NO RESTRICTED TO	
MATERIAL -		2 PLC ± -	A3 00779 C-ELB-35-600	
		3 PLC ± -	SCALE NTS SHEET 2 OF 2 REV 1	
		4 PLC ± -		
		ANGLES ± -		
		FINISH -		
		WEIGHT	CUSTOMER DRAWING	