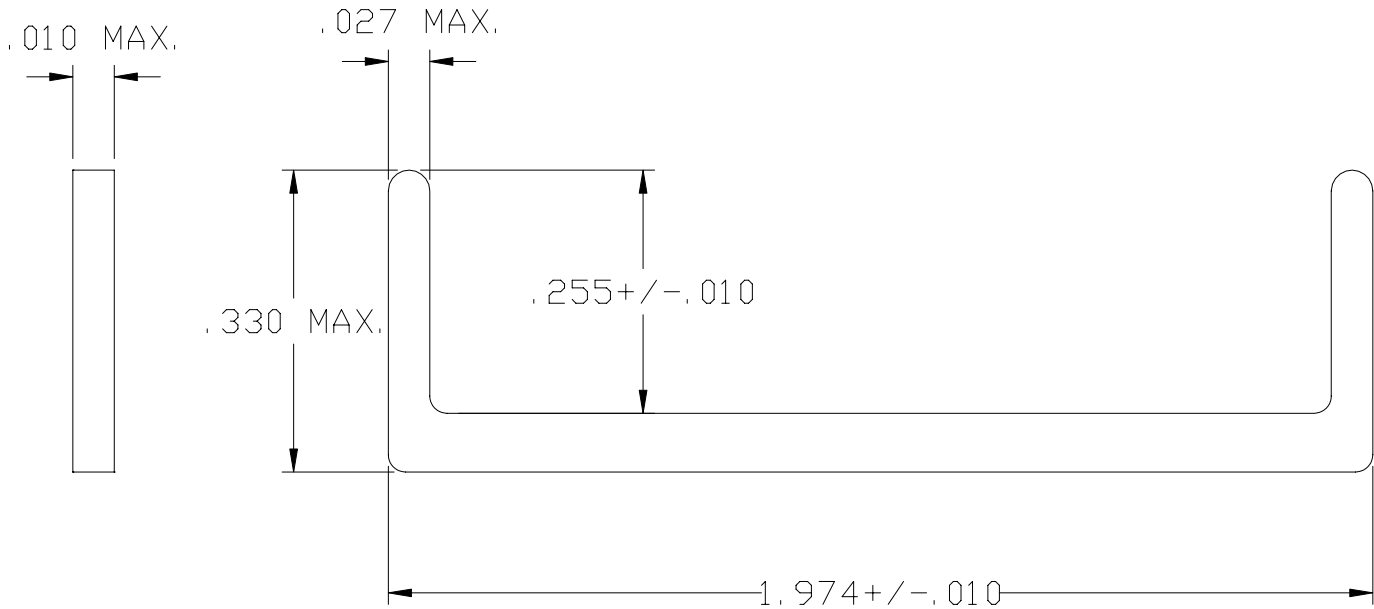


▽
REVISIONS

| LTR | DESCRIPTION | DATE | APPROVED |
|-----|--|-----------|----------|
| N/C | ECN# T-20297 | 7-27-95 | R.H. |
| A | ADD NEW FORMAT, REVISED PER DCR# T-29850 | 8/20/2001 | M.HIGGY |

**If this document is printed it becomes uncontrolled.
Check with the web for latest revision.**



- 1.) MATERIAL: BERYLLIUM COPPER
- 2.) PLATING: SOLDER PLATE ELECTROLYTIC PER MIL-P-81728
- 3.) POST FLUX COAT PER J-STD-004

SPECIFICATION CONTROL DRAWING

| | | | | |
|--|---------------------|--------------------------|--|----------|
| UNLESS OTHERWISE SPECIFIED DIMENSIONS ARE IN INCHES. METRIC DIMENSIONS ARE IN BRACKETS. DECIMALS .XXX ± .005 { mm } .XX ± .01 { mm } ANGLES .X ± WEIGHT lbs { g } | DRAWN ZS.ORBAN | DATE 8/20/2001 | WIRE AND HARNESSING PRODUCTS 307 CONSTITUTION DRIVE MENLO PARK, CALIFORNIA 94025 | |
| | APPROVED | DATE | | |
| | APPROVED M.HIGGY | DATE 8/20/2001 | TITLE PREFLUXED BUS BAR 2 FINGERS | |
| | RPN: 467993-000 | CAD NAME T29850.TIF | | |
| THIRD ANGLE PROJECTION | SIZE A | CODE IDENT. NO. 06090 | DWG. NO. ECA-0101 | REV A |
| DO NOT SCALE THIS DRAWING | | | SHEET 1 OF 1 | |

