



## SST Series Photocontrol

### Electronic | Heavy Duty with Extended Time Delay

#### KEY FEATURES

- 20 - 40 second ON and OFF time delay
- Energy savings inverse OFF/ON ratio
- Non-drifting phototransistor
- Fail mode is ON or OFF
- Meets ANSI C136.10

#### COMMON USES

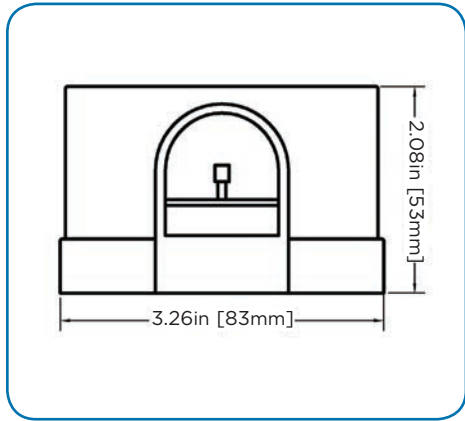
- Designated for all traditional roadway and area lighting applications and equipment such as: Street and roadway lighting, parking lot area lighting, billboard and other signage
- All solid state ballast/drivers applications and equipment including: LED (Light Emitting Diode), LEP (Light Emitting Plasma), Induction, CFL, and Electronic HID

TE Connectivity's (TE) SST Series offers a low-cost and energy saving control for demanding lighting applications. SST controls are energy efficient, engineered with an inverse OFF/ON ratio minimizing total lamp burning hours.

The SST features a heavy-duty DC electromagnetic switch that provides high shock and vibration resistance, as well as a 20 - 40 second ON and OFF time delay. Time delay eliminates any chance of unwanted luminaire cycling caused by lightning, car headlights, or other sudden changes in ambient light. The SST's light sensor is a non-drifting phototransistor that ensures consistent and uniform switching over the life of the control.

The SST-PV-IES model has been specifically engineered to comply with the I.E.S. recommendation that street lighting should be switched on when the ambient light reaches 3.0 Fc to compensate for the typical 4 - 6 minute warm up time of HID lamps.





The SST series is the result of over fifty years of experience designing and delivering superior photocontrols and other lighting accessories in the US and around the world.

**Features**

Rated Volts	105 - 305 VAC
Frequency	50/60 Hz
Operating Light Levels	Standard 1.5, or 3Fc
Time Delay ON/OFF	20 - 40 second ON and OFF delay
OFF/ON Ratio	0.6 : 1
Fail Mode	ON or OFF
Surge Protection	180 or 545 Joules
Rated Life	10 years

**How to Specify**

**Specifications**

Physical	Dimensions: approx. 3.26" [83mm] dia. x 2.08" [53mm] high (Not including contacts)
	Enclosure: designed to meet ANSI C136.10
	Power consumption: less than 1.1 watts (max.) at 120 VAC
Temperature	Minus 40°C to plus 65°C @ 96% RH
Control	DC Electromagnetic switch type exceeds 5,000 ON/OFF operations per ANSI C136.10
Relay Rating	30 Amp rated at 120 VAC
Load Rating	1000 Watt Tungsten 1800 VA
Light Sensor	Non-drifting phototransistor

The SST series offers almost unlimited options ensuring your lighting network needs will be met.

**SST - PV - IES - BK**

**Series (Fail Mode)**  
SST = SST (ON)

**Voltage**  
120 = 120 VAC  
240 = 240 VAC  
PV = 120/208/240/277 VAC

**ANSI Standard Cap Colors**

120V	Gray or Clear
208 / 240 / 277V	Maroon
120 / 208 / 240 / 277V	Blue
480	Yellow

**Cap Color**

(Leave blank if ANSI Standard)  
BL = Blue  
BK = Black  
BR = Brown (Bronze)  
GN = Green  
GR = Gray  
MR = Maroon  
YL = Yellow

**Turn-On Level**

(Leave blank if ANSI Standard)  
IES = 3.0 Fc

Product Selection Information							
Model	Rated (Volts)	Range (Volts)	Load Rating Tungsten (Watts)	Load Rating Ballast (VA)	Surge Protection (Joules)	Turn ON (Fc)	OFF/ON Ratio
SST-120	120	105 - 305	1000	1800	180	1.5 +/- 0.5	0.6:1
SST-240	208 / 240 / 277	185 - 305	1000	1800	180	1.5 +/- 0.5	0.6:1
SST-240-AUSTRALIA	240	185 -305	1000	1800	180	3.0 +/- 0.5	0.6:1
SST-PV	120 / 208 / 240 / 277	105 - 305	1000	1800	180	1.5 +/- 0.5	0.6:1
SST-PV-IES	120 / 208 / 240 / 277	105 - 305	1000	1800	180	3.0 +/- 0.5	0.6:1
SST-PV-IES-UL	120 / 208 / 240 / 277	105 - 305	1000	1800	545	3.0 +/- 0.5	0.6:1
SST-PV-FAIL-OFF	120 / 208 / 240 / 277	105 - 305	1000	1800	180	1.5 +/- 0.5	0.6:1

Note: UL indicates a UL listed product

**TE Technical Support Center**

USA:	+1 (800) 327-6996
Canada:	+1 (905) 475-6222
Mexico	+52 (0) 55-1106-0800
Latin/S. America:	+54 (0) 11-4733-2200
UK:	+44 (0) 800-267666
France:	+33 (0) 1-3420-8686
Netherlands:	+31 (0) 73-6246-999
China:	+86 (0) 400-820-6015

energy.te.com

