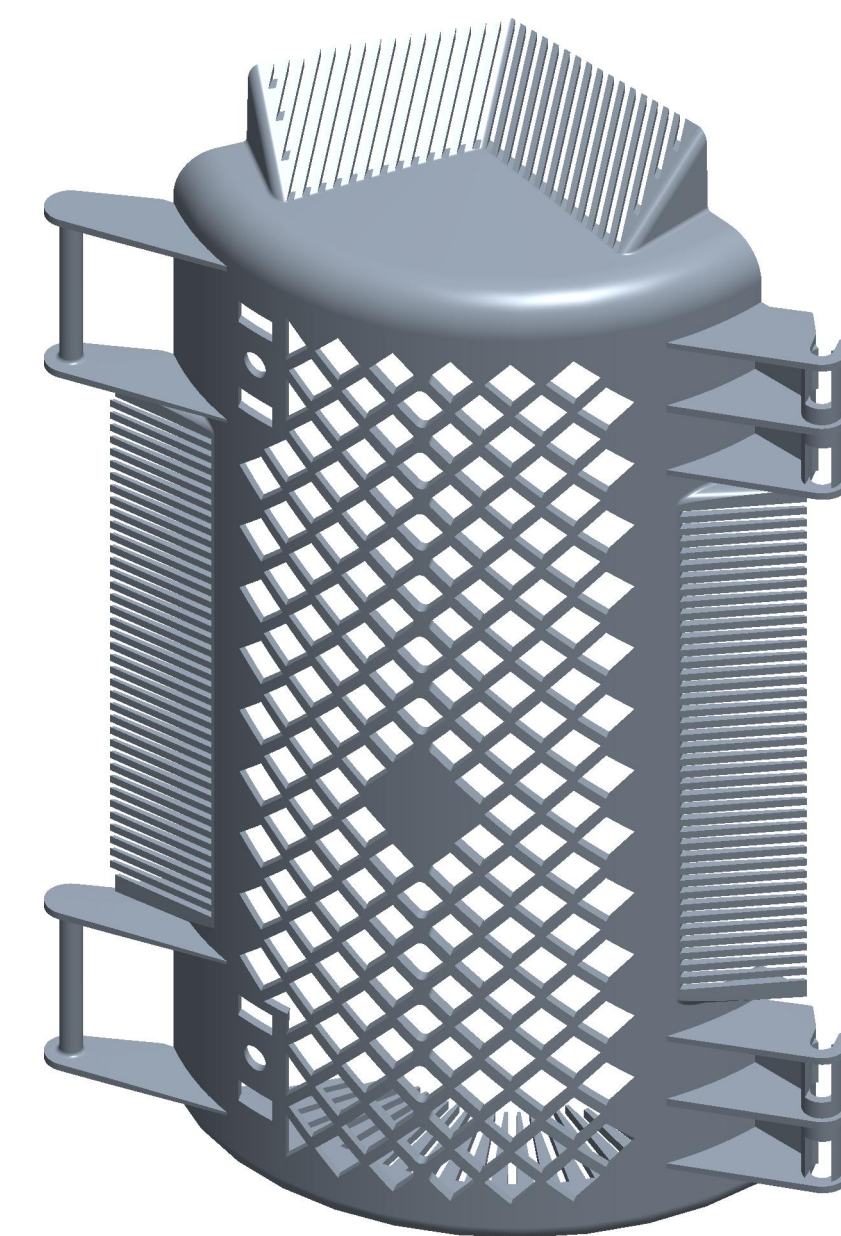
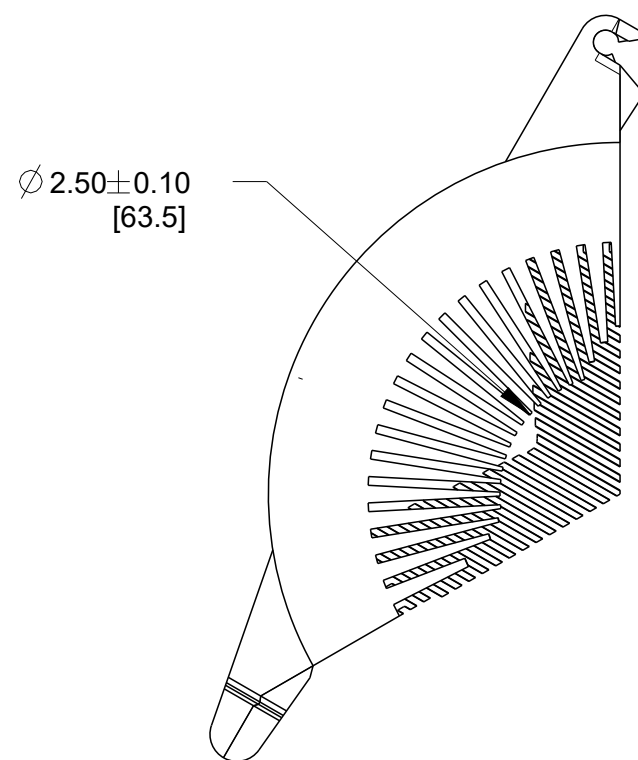
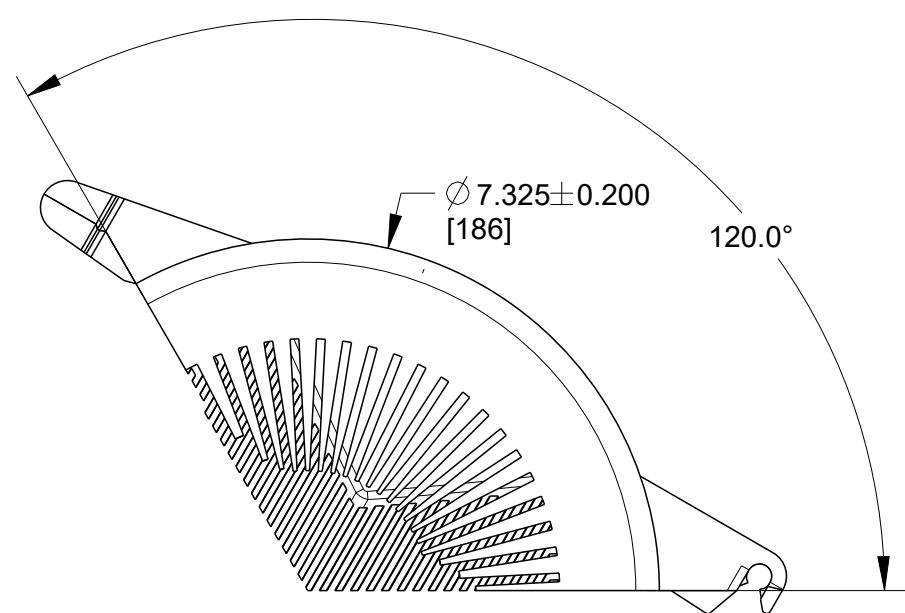
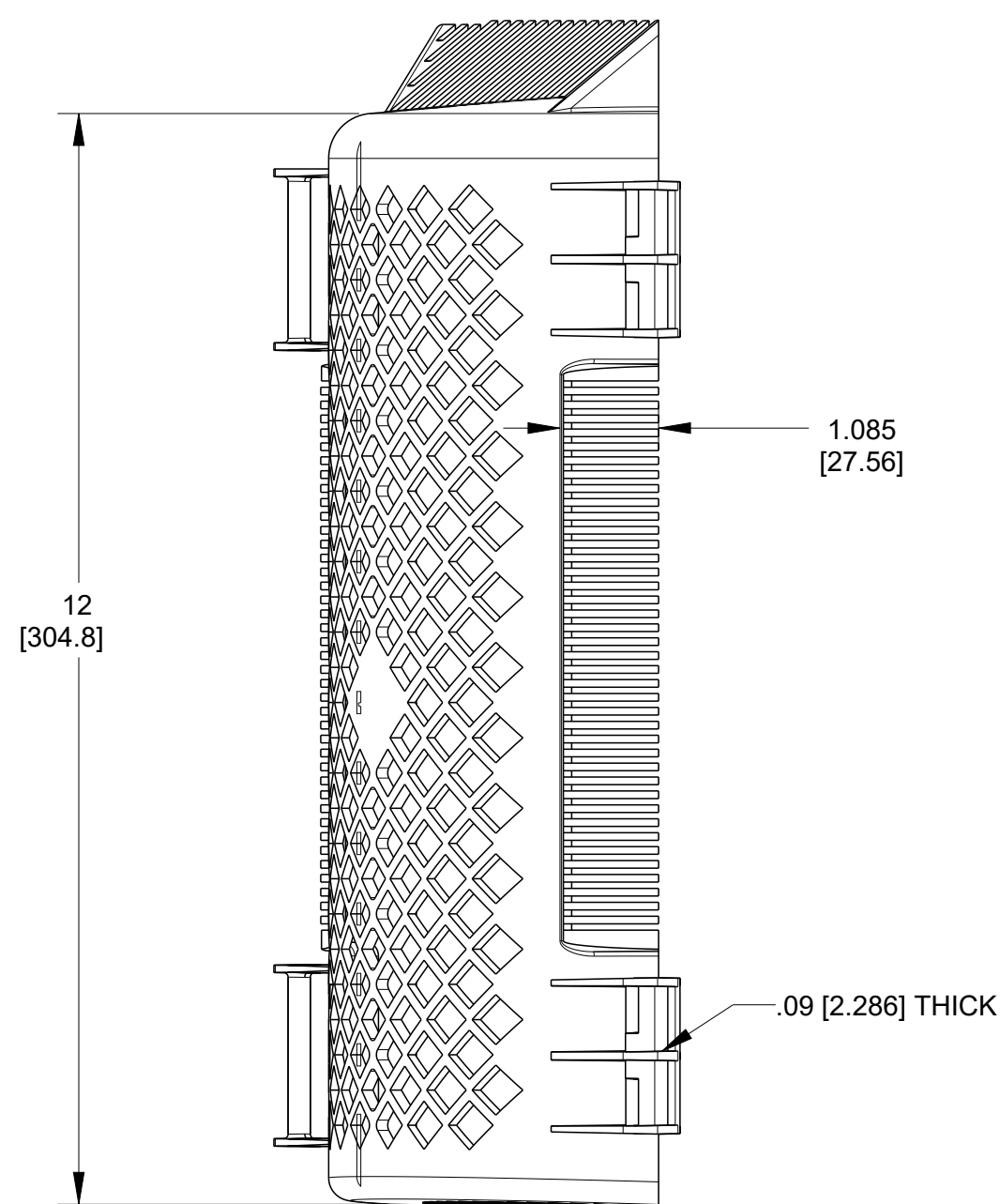
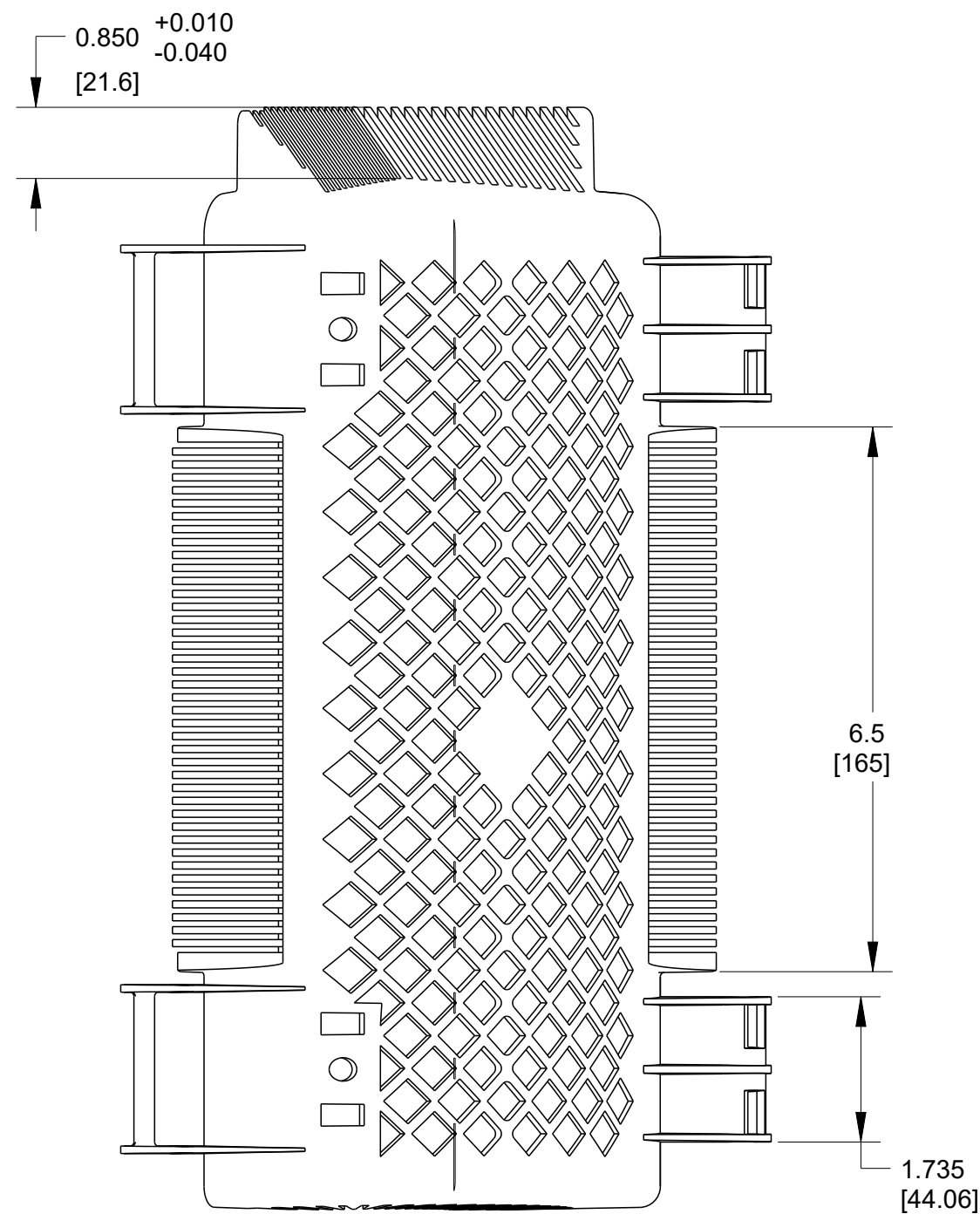


REVISIONS					
P	LTR	DESCRIPTION	DATE	DWN	APVD
A		INITIAL RELEASE	22MAY2020	AS	LH



NOTES:

- PARTS SHALL BE KITTED WITH PII-55919 1 PC,
- PARTS SHALL BE KITTED WITH 504537-000 PB-262-5X6-STD-DUTY 1 PC & 607477-000 BCIC-LATCH 24 PCS,
- PARTS SHALL BE KITTED WITH C17670-000 BCIC-4D/7-20 1 PC & CS7744-000 BCAC-IC-7D/12 2 PCS
- EACH BOX SHALL BE LABELLED WITH DESCRIPTION, LOT NUMBER, PART NUMBER, MANUFACTURING DATE AND QUANTITY.

TCPN
CS8355-000

THIS DRAWING IS A CONTROLLED DOCUMENT.		DWN A. SABARAD 22MAY2020																
DIMENSIONS: INCH(MM)		CHK S. LIGHT 22MAY2020																
TOLERANCES UNLESS OTHERWISE SPECIFIED:		APVD L. HILLER 22MAY2020	NAME BCAC-IC-BYPASS-01(B1)															
<table border="1"> <tr><td>0 PLC</td><td>±</td></tr> <tr><td>1 PLC</td><td>±</td></tr> <tr><td>2 PLC</td><td>±</td></tr> <tr><td>3 PLC</td><td>±</td></tr> <tr><td>4 PLC</td><td>±</td></tr> <tr><td>ANGLES</td><td>±</td></tr> <tr><td>FINISH</td><td></td></tr> </table>		0 PLC	±	1 PLC	±	2 PLC	±	3 PLC	±	4 PLC	±	ANGLES	±	FINISH		PRODUCT SPEC	RESTRICTED TO	
0 PLC	±																	
1 PLC	±																	
2 PLC	±																	
3 PLC	±																	
4 PLC	±																	
ANGLES	±																	
FINISH																		
MATERIAL		APPLICATION SPEC	SIZE A2	CAGE CODE 00779														
		WEIGHT	DRAWING NO E00000882	SCALE NTS														
		CUSTOMER DRAWING	SHEET 1	OF 1														
			REV A															