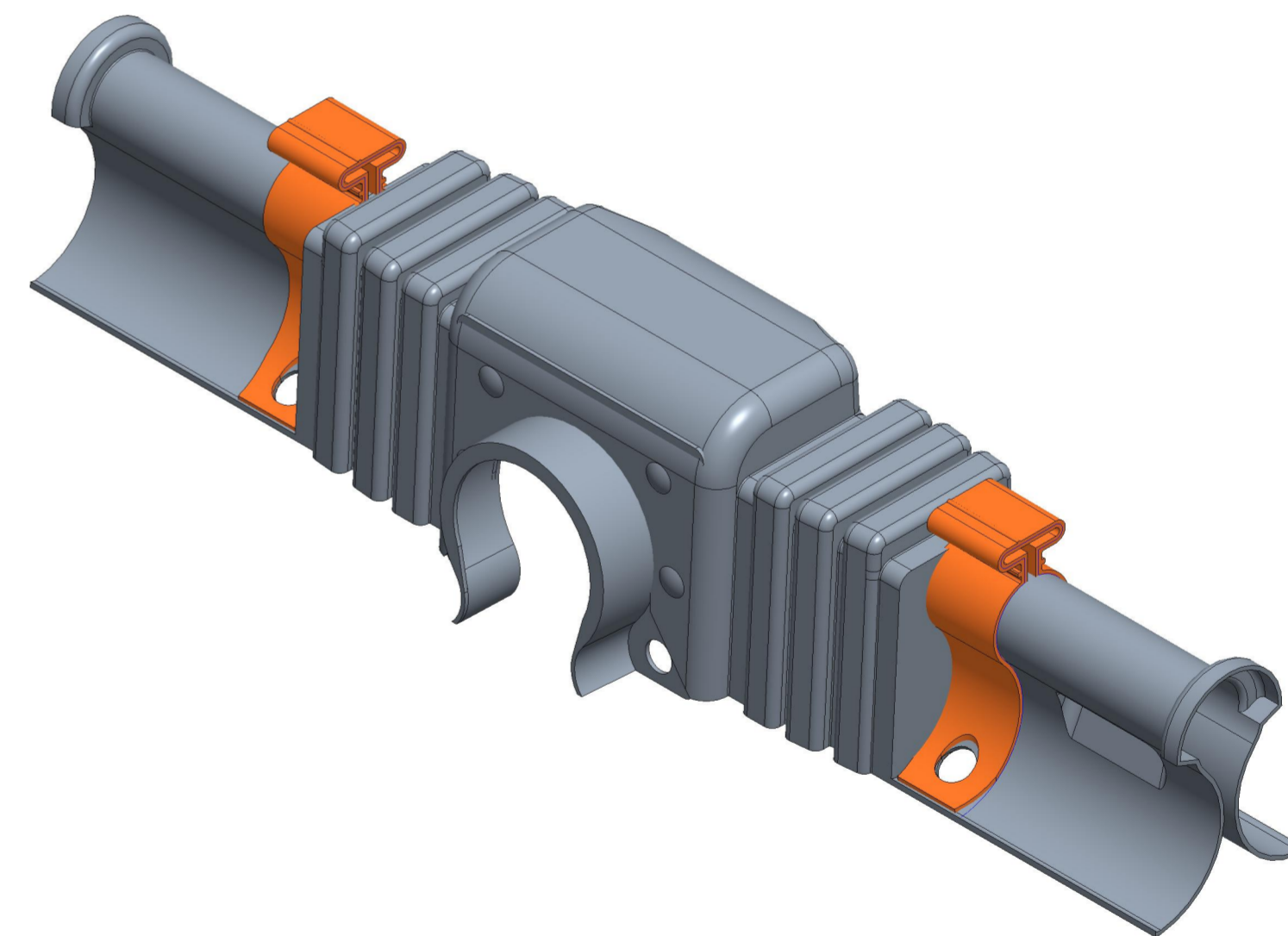
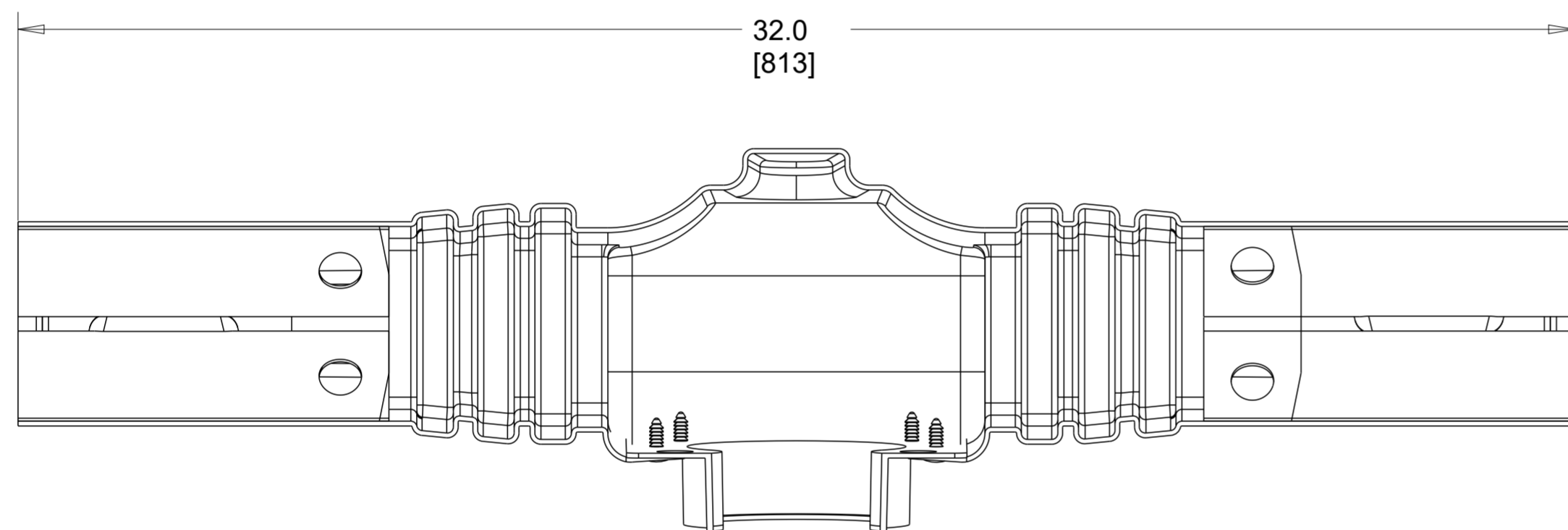
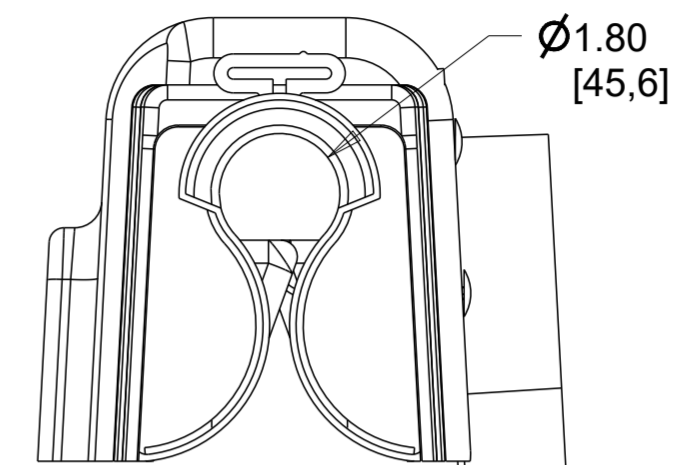
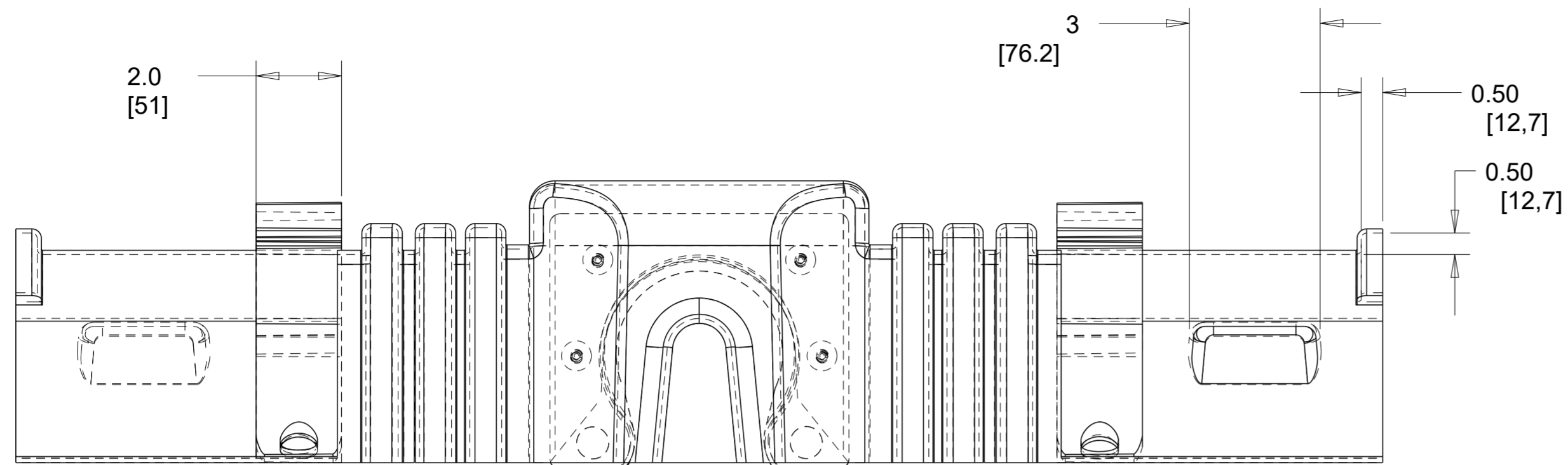


REVISIONS					
P	LTR	DESCRIPTION	DATE	DWN	APVD
A		INITIAL RELEASE	11JUN2020	AS	LH



NOTES:

- 1. PARTS SHALL BE KITTED 6 PIECES PER BOX.
- 2. EACH BOX SHALL BE LABELLED WITH DESCRIPTION, LOT NUMBER, PART NUMBER, MANUFACTURING DATE AND QUANTITY

TCPN
CP3119-000

THIS DRAWING IS A CONTROLLED DOCUMENT.		DWN A. SABARAD 11JUN2020				
DIMENSIONS: INCH(MM)		CHK S. LIGHT 11JUN2020				
TOLERANCES UNLESS OTHERWISE SPECIFIED:		APVD L. HILLER 11JUN2020	NAME BCIC-G-HZPOR/4.5D-795-B6			
0 PLC ±		PRODUCT SPEC	SIZE	CAGE CODE	DRAWING NO	RESTRICTED TO
1 PLC ±		APPLICATION SPEC	A2	00779	E00000844	-
2 PLC ±		WEIGHT	SCALE		SHEET	OF
3 PLC ±		CUSTOMER DRAWING	NTS		1	1
4 PLC ±					REV	A
ANGLES ±						
FINISH						