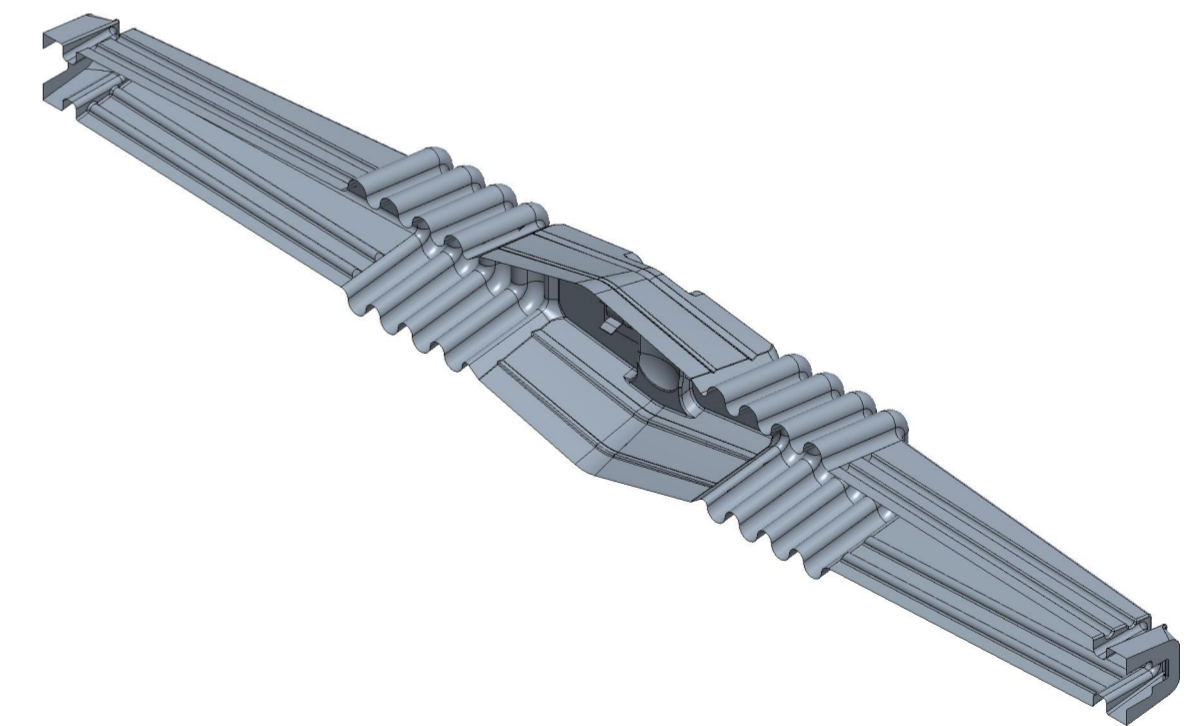
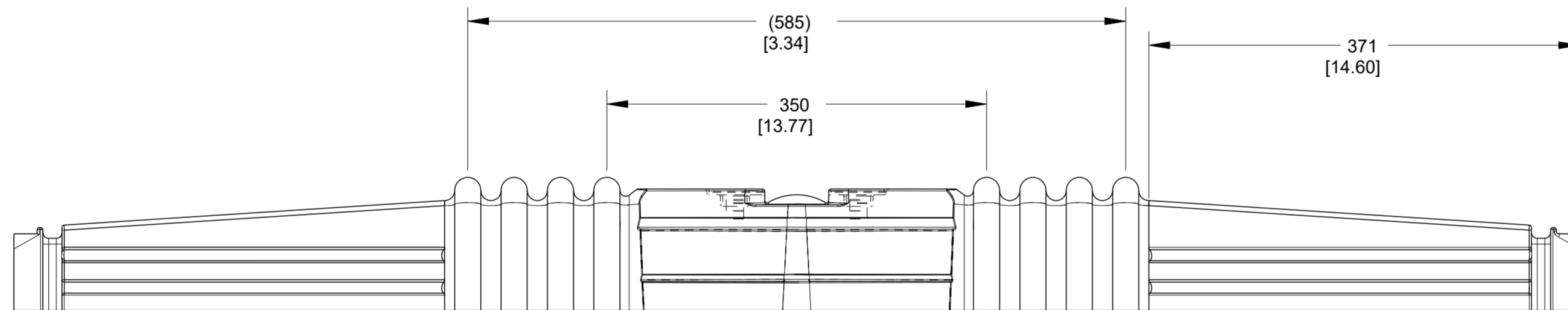
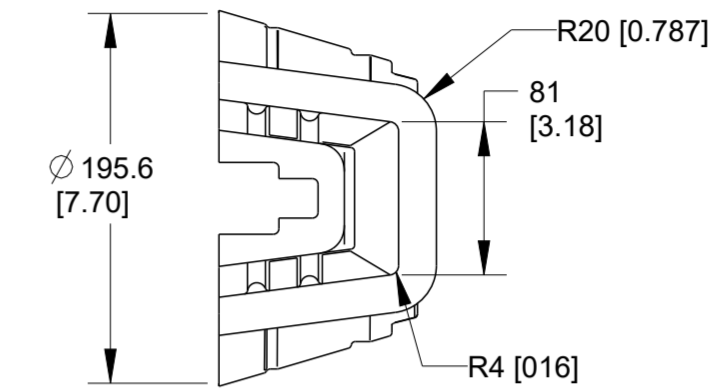
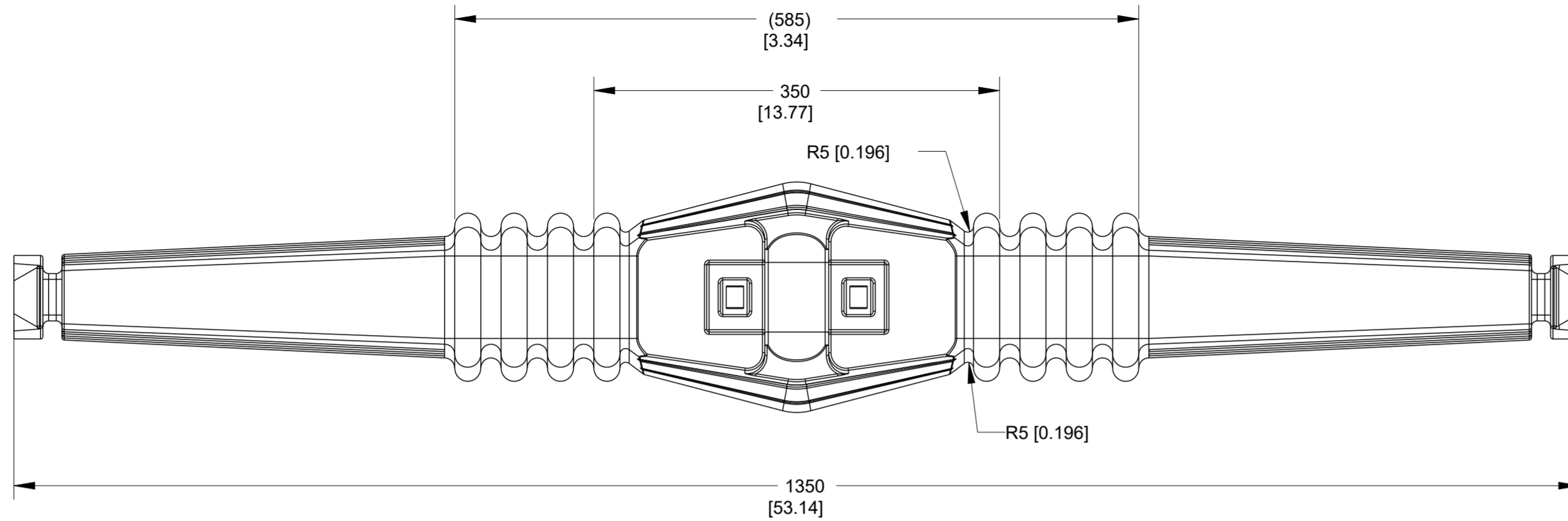


REVISIONS					
P	LTR	DESCRIPTION	DATE	DWN	APVD
	A	INITIAL RELEASE	31MAY2020	AS	LH



NOTES:

- 1. PARTS SHALL BE KITTED 3 PIECES PER BOX.
- 2. PARTS SHALL BE KITTED WITH 2 HOSE CLAMPS AND ONE PII, EPP 0595.

TCPN
614917-000

THIS DRAWING IS A CONTROLLED DOCUMENT.		DWN A. SABARAD 31MAY2020		
DIMENSIONS: MM(INCH)		CHK S. LIGHT 31MAY2020		
TOLERANCES UNLESS OTHERWISE SPECIFIED:		APVD L. HILLER 31MAY2020	NAME BCIC-3314-(S3)	
0 PLC ±		PRODUCT SPEC	SIZE	
1 PLC ±		APPLICATION SPEC	CAGE CODE	
2 PLC ±		WEIGHT	DRAWING NO	
3 PLC ±		CUSTOMER DRAWING	RESTRICTED TO	
4 PLC ±			SCALE	
ANGLES ±			SHEET	
FINISH			1 OF 1	
			REV A	